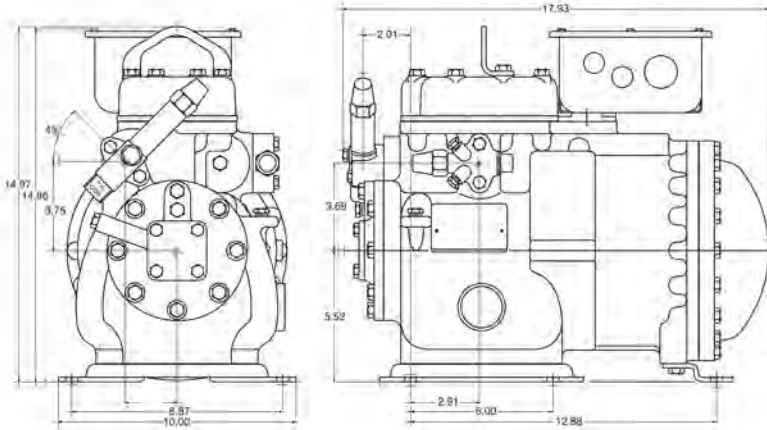
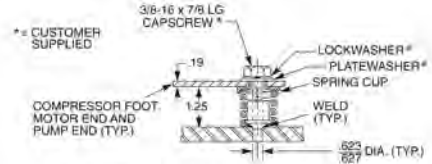


Compressors, Chillers & Condensers

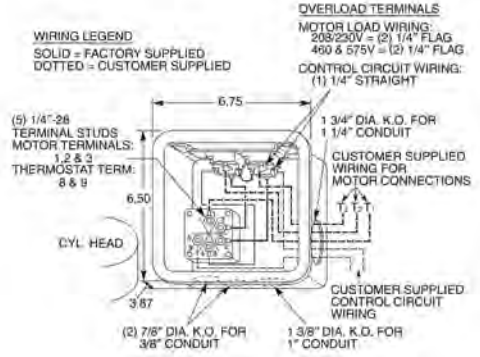
06D Medium/High Temperature Compressors



CYLINDERS: 2
 CFM: 8
 MODELS: 06DA808
 06DM808
 UNLOADING AVAIL: NO
 STEPS: 0



SPRING MOUNTING ARRANGEMENT



TERMINAL BOX DATA

NOTE: ALL DIMENSIONS ARE IN INCHES
 Multiple service valve orientations are possible

Note: Compressors shown with optional accessories.

