

Totaline® Filter Housings for Gas and Electric Furnaces

The Totaline® Air-Tite Series Filter Housings offer the most well-built, sleek designed and easiest to use galvanized sheet metal filter housings on the market, for residential and light commercial use. It allows for easy access to furnace filters—no panels or door to remove. The Filter Housings are made to fit all gas and electric furnaces through 5 tons and makes a clean and professional installation. Uses standard size pleated or panel filters.

Standard Features:

- Fully hinged door with magnetic latch and integrated handle provide a tight seal, eliminating air and debris from entering the filter box from surrounding area.
- Removable rails are easy to change to accommodate different filter sizes.
- Heavy 22 gauge galvanized sheet metal has been die cut for smooth edges.
- Solid one piece wrap cabinet design is spot welded and riveted for sturdiness and long life.
- Tabs have rounded corners, which lessens chances of damage in transit or installation injury.
- Mounting holes are provided for faster installation.
- Individually boxed for convenient shipping and warehousing.
- Limited Lifetime Warranty.

Filter Housing For HEATWAVE Gas Furnace

AIR-TITE Housing For 1" Filters

PART NUMBER	OUTSIDE DIMENSIONS			OPENING		FILTER SIZE
	W	H	L	W1	L1	
P102-FHG1425NCHW80	15 $\frac{3}{8}$	3	28 $\frac{1}{2}$	12 $\frac{3}{8}$	25 $\frac{1}{4}$	14 x 25
P102-FHG1625NCHW80	17 $\frac{3}{8}$	3	28 $\frac{1}{2}$	14 $\frac{3}{8}$	25 $\frac{1}{4}$	16 x 25
P102-FHG2025NCHW80	21 $\frac{3}{8}$	3	28 $\frac{1}{2}$	18 $\frac{3}{8}$	25 $\frac{1}{4}$	20 x 25
P102-FHG2424NCHW80	25 $\frac{3}{8}$	3	28 $\frac{1}{2}$	22 $\frac{3}{8}$	25 $\frac{1}{4}$	24 x 24

AIR-TITE Housing For 1" or 2" Filters

PART NUMBER	OUTSIDE DIMENSIONS			OPENING		FILTER SIZE
	W	H	L	W1	L1	
P102-FHG1425-3HW80	15 $\frac{3}{8}$	4	28 $\frac{1}{2}$	12 $\frac{3}{8}$	25 $\frac{1}{4}$	14 x 25
P102-FHG1625-3HW80	17 $\frac{3}{8}$	4	28 $\frac{1}{2}$	14 $\frac{3}{8}$	25 $\frac{1}{4}$	16 x 25
P102-FHG2025-3HW80	21 $\frac{3}{8}$	4	28 $\frac{1}{2}$	18 $\frac{3}{8}$	25 $\frac{1}{4}$	20 x 25

AIR-TITE Housing For 1", 2" or 4" Filters

PART NUMBER	OUTSIDE DIMENSIONS			OPENING		FILTER SIZE
	W	H	L	W1	L1	
P102-FHG1425-6HW80	15 $\frac{3}{8}$	6	28 $\frac{1}{2}$	12 $\frac{3}{8}$	25 $\frac{1}{4}$	14 x 25
P102-FHG1625-6HW80	17 $\frac{3}{8}$	6	28 $\frac{1}{2}$	14 $\frac{3}{8}$	25 $\frac{1}{4}$	16 x 25
P102-FHG2025-6HW80	21 $\frac{3}{8}$	6	28 $\frac{1}{2}$	18 $\frac{3}{8}$	25 $\frac{1}{4}$	20 x 25



Filter Housing For Gas Furnace

AIR-TITE Housing For 1" Filters

PART NUMBER	OUTSIDE DIMENSIONS			OPENING		FILTER SIZE
	W	H	L	W1	L1	
P102-FHG1425-2	15 $\frac{3}{8}$	3	28 $\frac{1}{2}$	12 $\frac{3}{8}$	25 $\frac{1}{4}$	14 x 25
P102-FHG1625-2	17 $\frac{3}{8}$	3	28 $\frac{1}{2}$	14 $\frac{3}{8}$	25 $\frac{1}{4}$	16 x 25
P102-FHG2025-2	21 $\frac{3}{8}$	3	28 $\frac{1}{2}$	18 $\frac{3}{8}$	25 $\frac{1}{4}$	20 x 25
P102-FHG2424-2	25 $\frac{3}{8}$	3	28 $\frac{1}{2}$	22 $\frac{3}{8}$	25 $\frac{1}{4}$	24 x 24
P102-FHG3025-2	31 $\frac{3}{8}$	3	28 $\frac{1}{2}$	28 $\frac{3}{8}$	25 $\frac{1}{4}$	30 x 25

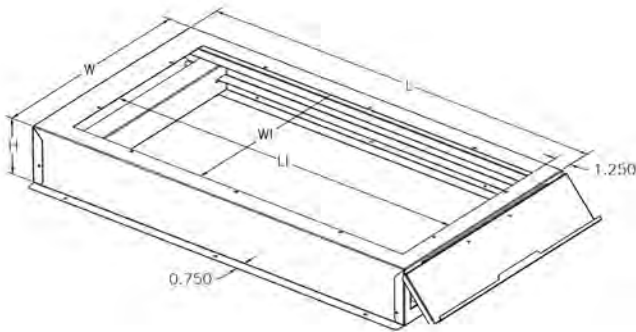
AIR-TITE Housing For 1" or 2" Filters

PART NUMBER	OUTSIDE DIMENSIONS			OPENING		FILTER SIZE
	W	H	L	W1	L1	
P102-FHG1425-3	15 $\frac{3}{8}$	4	28 $\frac{1}{2}$	12 $\frac{3}{8}$	25 $\frac{1}{4}$	14 x 25
P102-FHG1625-3	17 $\frac{3}{8}$	4	28 $\frac{1}{2}$	14 $\frac{3}{8}$	25 $\frac{1}{4}$	16 x 25
P102-FHG2025-3	21 $\frac{3}{8}$	4	28 $\frac{1}{2}$	18 $\frac{3}{8}$	25 $\frac{1}{4}$	20 x 25
P102-FHG2424-3	25 $\frac{3}{8}$	4	28 $\frac{1}{2}$	22 $\frac{3}{8}$	25 $\frac{1}{4}$	24 x 24
P102-FHG3025-3	31 $\frac{3}{8}$	4	28 $\frac{1}{2}$	28 $\frac{3}{8}$	25 $\frac{1}{4}$	30 x 25

AIR-TITE Housing For 1", 2" or 4" Filters

PART NUMBER	OUTSIDE DIMENSIONS			OPENING		FILTER SIZE
	W	H	L	W1	L1	
P102-FHG1425-6	15 $\frac{3}{8}$	6	28 $\frac{1}{2}$	12 $\frac{3}{8}$	25 $\frac{1}{4}$	14 x 25
P102-FHG1625-6	17 $\frac{3}{8}$	6	28 $\frac{1}{2}$	14 $\frac{3}{8}$	25 $\frac{1}{4}$	16 x 25
P102-FHG2025-6	21 $\frac{3}{8}$	6	28 $\frac{1}{2}$	18 $\frac{3}{8}$	25 $\frac{1}{4}$	20 x 25
P102-FHG2424-6	25 $\frac{3}{8}$	6	28 $\frac{1}{2}$	22 $\frac{3}{8}$	25 $\frac{1}{4}$	24 x 24
P102-FHG3025-6	31 $\frac{3}{8}$	6	28 $\frac{1}{2}$	28 $\frac{3}{8}$	25 $\frac{1}{4}$	30 x 25

Totaline® Filter Housings for Electric Furnaces



Filter Housing For Electronic Air Handlers

AIR-TITE Housing For 1" or 2" Filters

PART NUMBER	OUTSIDE DIMENSIONS			OPENING		FILTER SIZE
	W	H	L	W1	L1	
P102-FHE1420-3	15 $\frac{3}{8}$	4	22	12 $\frac{3}{8}$	18 $\frac{3}{4}$	14 x 20
P102-FHE1620-3	17 $\frac{3}{8}$	4	22	14 $\frac{3}{8}$	18 $\frac{3}{4}$	16 x 20
P102-FHE2020-3	21 $\frac{3}{8}$	4	22	18 $\frac{3}{8}$	18 $\frac{3}{4}$	20 x 20
P102-FHE2020-3T	23 $\frac{1}{2}$	4	22	19 $\frac{3}{4}$	18 $\frac{3}{4}$	20 x 20
P102-FHE2025-3	26 $\frac{3}{8}$	4	22	23 $\frac{3}{8}$	18 $\frac{3}{4}$	20 x 25
P102-FHE2025-3N	21 $\frac{3}{8}$	4	25	18 $\frac{3}{8}$	21 $\frac{3}{4}$	20 x 25

AIR-TITE Housing For 1", 2" or 4" Filters

PART NUMBER	OUTSIDE DIMENSIONS			OPENING		FILTER SIZE
	W	H	L	W1	L1	
P102-FHE1420-6	15 $\frac{3}{8}$	6	22	12 $\frac{3}{8}$	18 $\frac{3}{4}$	14 x 20
P102-FHE1620-6	17 $\frac{3}{8}$	6	22	14 $\frac{3}{8}$	18 $\frac{3}{4}$	16 x 20
P102-FHE2020-6	21 $\frac{3}{8}$	6	22	18 $\frac{3}{8}$	18 $\frac{3}{4}$	20 x 20
P102-FHE2020-6T	23 $\frac{1}{2}$	6	22	19 $\frac{3}{4}$	18 $\frac{3}{4}$	20 x 20
P102-FHE2025-6	26 $\frac{3}{8}$	6	22	23 $\frac{3}{8}$	18 $\frac{3}{4}$	20 x 25
P102-FHE2025-6N	21 $\frac{3}{8}$	6	25	18 $\frac{3}{8}$	21 $\frac{3}{4}$	20 x 25

Totaline® Filter Housings for Gas and Electric Air Handlers

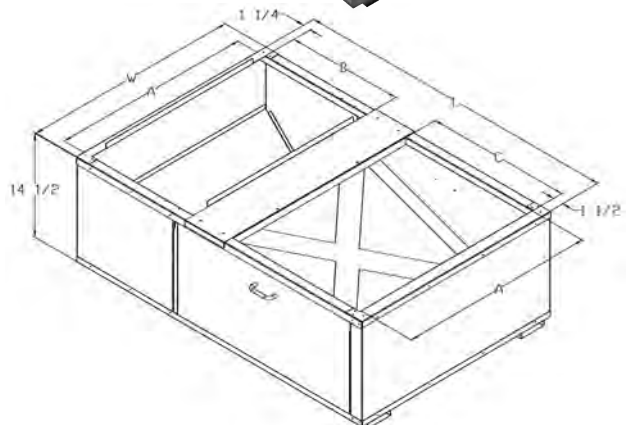
The Totaline® Perfect-Platform Series Filter Housings offer the most well-built, sleek designed and easiest to use galvanized sheet metal filter housings on the market, for residential and light commercial use. The space saving design for vertical installations, keeps furnace off floor eliminating need for wooden platform, thereby reducing installation time and costs.

The Filter Housing allows for easy access to furnace filters without having to enter furnace.

The Filter Housing uses 1", 2" or 4" standard size pleated or panel filters which are positioned on an angle to maximize surface area. They are made to fit 1-3 ton or 3.5 ton electric air handlers or gas furnaces.

Standard Features:

- Two, pull-out doors with handle allow filter access from either side.
- Adjustable inlet duct opening replaces need for field forming transition, significantly reducing installation time.
- Removable rails are easy to change to accommodate different filter sizes.
- Heavy gauge galvanized sheet metal has been die cut for smooth edges.
- Solid one piece wrap cabinet design is spot welded and riveted for sturdiness and long life.
- Individually boxed for convenient shipping and warehousing.
- Limited Lifetime Warranty.



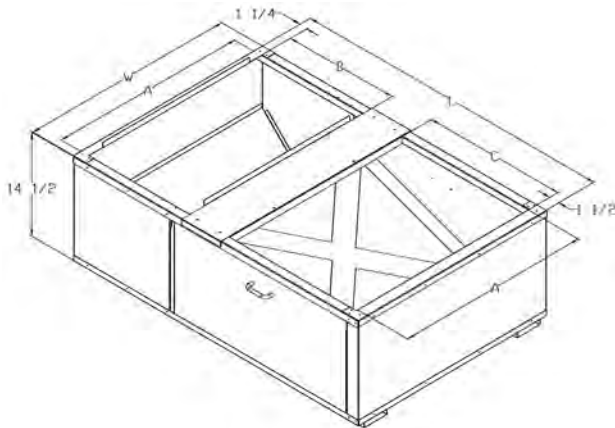
PART NUMBER	W	L	A	B	C	FILTER SIZE
P102-FB2832	28 $\frac{1}{2}$	32	26 $\frac{1}{2}$	8	13 $\frac{1}{2}$	20 x 25
P102-FB2843	28 $\frac{1}{2}$	43	26 $\frac{1}{2}$	10/12	19/22 $\frac{1}{2}$	24 x 24
P102-FB2232	22 $\frac{1}{2}$	32	20 $\frac{1}{2}$	9 $\frac{1}{2}$	14 $\frac{1}{2}$	20 x 20
P102-FB2240	22 $\frac{1}{2}$	40	20 $\frac{1}{2}$	12	20	20 x 25

Totaline® Media Air Cleaner Platforms for Gas and Electric Furnaces

The Totaline® Perfect-Platform Series Media Air Cleaner Platform from Totaline® offers the most well-built, sleek designed and easiest to use galvanized sheet metal filter housings on the market, for residential and light commercial use. The space saving design for vertical installations, keeps furnace off the floor allowing a cleaner, more professional installation. The platform helps eliminates the possibility of dust, pet hair, insects, rodents, water or sewer backup from entering the furnace. The platform also allows the filter to work at maximum efficiency by eliminating the need for transitions, deflectors or turning vanes, thereby saving installation time and costs.

Standard Features:

- High efficiency MERV 11 Media Filter is an extra deep, 5¼ inch, 24 pleat filter which contains more media material than other filters on the market. More surface area means more collection area, longer filter life and lower static pressure. Filter lasts up to one year.
- Two, pull-out doors with handles allow filter access from both sides.
- Adjustable inlet duct opening replaces need for field forming transition, significantly reducing installation time.
- Heavy 22 gauge galvanized sheet metal has been die cut for smooth edges, allowing for a smoother installation.
- Individually boxed for convenient shipping and warehousing.
- Limited Lifetime Warranty.



PART NUMBER	W	L	A	B	C	FILTER SIZE	REPLACEMENT FILTER
P102-FB2832-M8	28½	32	26½	8	13½	20 x 25	P102-2025
P102-FB2843-M8	28½	43	26½	10/12	19/22½	20 x 25	P102-2025
P102-FB2232-M2	22½	32	20½	9½	14½	20 x 20	P102-2020
P102-FB2240-M8	22½	40	20½	12	20	20 x 25	P102-2025

Compressors,
Chillers, Condensers

Motors

Electrical

Heating
Components

Indoor Air
Quality

Thermostats

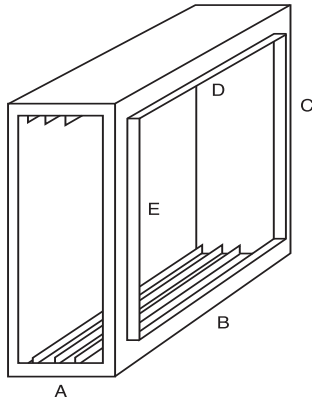
Oils &
Chemicals

Accessories, Supplies
& Commodities

Tools &
Instruments

Refrigeration

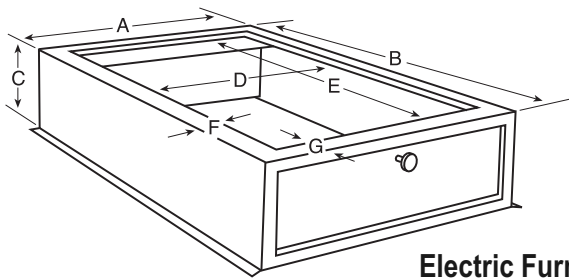
McDANIEL METALS, INC.



HORIZONTAL FILTER HOUSING

- Standard filter 1", 2", or 4". Completely insulated.
- HR model is open on one side and blocked off on the other side, cut blocked side to furnace specifications.
- HRB model is blocked off on both sides, cut to fit your furnace specifications and the existing plenum.

PART NO	OVERALL			DUCT OPENING		FILTER SIZE
	A	B	C	D	E	
HR20	6-5/8	25-1/2	22	19-3/4	19	20 x 25
HR25	6-5/8	20-1/2	27	19-3/4	19	20 x 25
HRB20	6-5/8	25-1/2	22	--	--	20 x 25
HRB25	6-5/8	20-1/2	27	--	--	20 x 25



The Accommodator

- EZ customer filter changes.
- No furnace panels or door to remove.
- Heavy-gauge steel construction.
- Filter base insulated on all 4 sides.
- Makes a professional installation.
- Short base handles 1" and 2" filters, height 3-3/4".
- Tall base handles 1", 2", and 4" filters, height 5-3/4".

ACCOMMODATOR III FILTER HOUSING

- Available in 1 size.
- Adjustable filter track fits 1" - 7" filter widths.

PART NO	OUTSIDE DIMENSIONS
ACIII 2025	25-1/2 x 23-3/4 x 9-1/2

Electric Furnaces - Physical Data and Specifications

PART NO	A	B	C	D	E	F	G	FILTER SIZE
ACE1420	15-3/8	22	6	13-7/8	19	1-1/2	1	14 x 20
ACE1620	17-3/8	22	6	14-7/8	19	1-1/2	1	16 x 20
ACE2020	21-3/8	22	6	18-7/8	19	1-1/2	1	20 x 20
ACE2025	26-3/8	22	6	23-7/8	19	1-1/2	1	20 x 25
ACE2025-N	21-3/8	25	5-3/4	18-3/4	21-3/8	1-1/2	1	20 x 25
ACEE1420	15-3/8	22	3	13-7/8	19	1-1/2	1	14 x 20
ACEE1620	17-3/8	22	3	14-7/8	19	1-1/2	1	16 x 20
ACEE2020	21-3/8	22	3	18-7/8	19	1-1/2	1	20 x 20
ACEE2025	26-3/8	22	3	23-7/8	19	1-1/2	1	20 x 25
ACEE2025-N	21-3/8	25	5-3/4	18-3/4	21-3/8	1-1/2	1	20 x 25

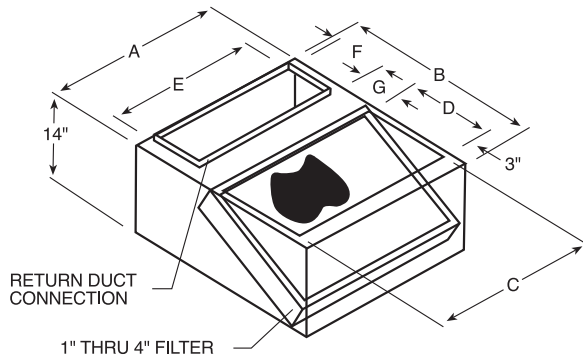
Gas Furnaces - Physical Data and Specifications

PART NO	A	B	C	D	E	F	G	FILTER SIZE
ACG1425	15-3/8	28-3/8	6	12-7/8	26	1-1/2	1	14 x 25
ACG1425HW80	15-3/8	29	5-3/4	12-7/8	22-1/2	1-3/8	5-1/2	14 x 25
ACGE1425HW80	15-3/8	29	3-3/4	12-7/8	22-1/2	1-3/8	5-1/2	14 x 25
ACG1625	17-3/8	28-3/8	6	14-7/8	26	1-1/2	1	16 x 25
ACH1625HW80	17-3/8	29	5-3/4	14-7/8	22-1/2	1-3/8	5-1/2	16 x 25
ACGE1625HW80	17-3/8	29	3-3/4	14-7/8	22-1/2	1-3/8	5-1/2	16 x 25
ACG2025	21-3/8	28-3/8	6	18-7/8	26	1-1/2	1	20 x 25
ACG2025HW80	21-3/8	29	5-3/4	18-7/8	22-1/2	1-3/8	5-1/2	20 x 25
ACGE2025HW80	21-3/8	29	3-3/4	18-7/8	22-1/2	1-3/8	5-1/2	20 x 25
ACG2424	25-3/8	28-3/8	6	22-7/8	26	1-1/2	1	24 x 24
ACG2424HW80	25-3/8	29	5-3/4	22-7/8	22-1/2	1-3/8	5-1/2	24 x 24
ACGE2424HW80	25-3/8	29	3-3/4	22-7/8	22-1/2	1-3/8	5-1/2	24 x 24
ACGE1425	15-3/8	28-3/8	3	12-7/8	26	1-1/2	1	14 x 25
ACGE1625	17-3/8	28-3/8	3	14-7/8	26	1-1/2	1	16 x 25
ACGE2025	21-3/8	28-3/8	3	18-7/8	26	1-1/2	1	20 x 25
ACGE2424	25-3/8	28-3/8	3	22-7/8	26	1-1/2	1	24 x 24

McDANIEL METALS, INC.

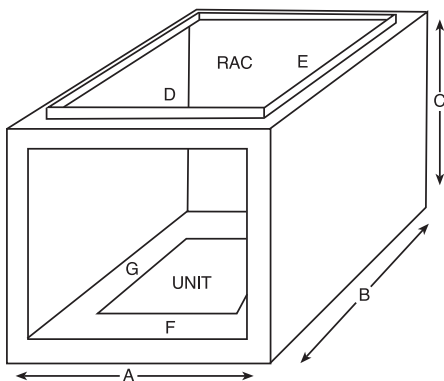
LABOR SAVER

- Adjustable Filter Rack - 1", 2", and 4".
- Easy access from both sides.
- Available in 2 sizes (1 - 3 ton) (3.5 - 5 ton).
- Lined with 1" insulation.
- Embossed heavy gauge steel construction.
- Makes installation faster and more efficient.
- Filter positioned on angle for maximum surface area.
- No hardware to remove for filter access.



PART NO	A	B	C	D	E	F	G	FILTER SIZE
LS2832	28-1/2	32	26-1/2	13-1/2	24	8	6	20 x 25
LS2832HW80	28-1/2	32	22-1/2	13-1/2	24	8	6	20 x 25
LS2840	28-1/2	40	26-1/2	19	24	10	7	24 x 24
LS2840HW80	28-1/2	40	22-1/2	19	24	10	7	24 x 24
LS2843	28-1/2	43	26-1/2	19	24	13	7	24 x 24
LS2232	22-1/2	32	20-1/2	14-1/2	20-1/2	9-1/2	5	20 X 20
LS2240	22-1/2	40	20-1/2	20	20-1/2	12	5	20 X 25

COUNTERFLOW FILTER HOUSING



- Counterflow housing.
- Embossed heavy gauge steel.
- Completely insulated.
- 4 sizes through 5 ton.
- Easy access to filters.

PART NO	A	B	C	D	E	F	G	QTY	FILTER SIZE
CF1	15-3/4	21-3/8	12	13-3/4	19-7/8	12-5/8	20-1/8	2	10 x 20 x 1
CF1HW80	14-1/8	23	12	12-1/8	21-3/8	12-5/8	21-5/8	2	10 x 20 x 1
CF2	18-3/4	21-3/8	12	16-3/4	19-7/8	16-1/8	20-1/8	3	10 x 20 x 1
CF2HW80	17-1/2	23	12	15-1/2	21-3/8	16-1/8	21-5/8	3	10 x 20 x 1
CF3	23-1/4	21-3/8	12	21-1/4	19-7/8	20	20-1/8	3	10 x 20 x 1
CF3HW80	21	23	12	19	21-3/8	19-1/2	21-5/8	3	10 x 20 x 1
CF4	27-3/4	21-3/8	12	25-3/4	19-7/8	23-3/8	20-1/8	4	10 x 20 x 1
CF4HW80	24-1/2	23	12	22-1/2	21-3/8	23	21-5/8	4	10 x 20 x 1

ROLL FILTER

- Adhesive coated fiberglass. • 2 in. thick.
- Roll length — 66 ft. • 1.38 in. square drive hole.

PART NO	ROLL HEIGHT (in)
31NC20-113	23.5
31NA20-193	26.25
31NC40-113	34.5
31NA40-113	37.25
31NC50-113	44.0
31NA50-193	47.25
31NC60-113	58.0
31NA60-193	61.25
31NC70-113	68.0

COLD AIR DROP (CAD)

- Constructed of 26 ga. galvanized steel with strengthening beads.
- Comes knocked down.
- Easy open access door.
- No elbow needed.
- Accommodates (2) 16 x 20 and 16 x 25, 1" or 2" filters.
- Individually boxed for convenient shipping and warehousing
- Saves time and money.

PART NO	DIMENSIONS (in)
CAD1620	16 x 20
CAD1625	16 x 25

McDANIEL METALS, INC.

RETURN AIR PLENUMS

RAFP SERIES

- Accepts 1", 2", or 4" filter.
- Features an extra end cap with S and drives into a hole cut to fit return air opening, which attaches to the machine then attaches to the plenum.

RAC SERIES

- Same configuration as RAFP without filter channel.

PART NO	DIMENSIONS (in)
RP1-36	21-1/2 x 11-5/8
RP2-36	21-1/2 x 15
RP3-36	21-1/2 x 18-1/2
RP4-36	12-5/8 x 20
RP5-36	15-7/8 x 20
RP6-36	22-7/8 x 20
RP7-36	12-3/8 x 19-7/8
RP8-36	15-5/8 x 19-7/8
RP9-36	19-1/8 x 19-7/8
RP10-36	19-7/8 x 22-3/4
RP11-36	24-3/4 x 21
RP12-36	19 x 16
RP13-36	19 x 19-3/8
RP14-36	19 x 23
RP15-36	19-7/8 x 20 w/ 1/2 flange out
RP16-36	15-7/8 x 24-1/4 w/ 1/2 flange out
RP17-36	19-3/8 x 24-1/4 w/ 1/2 flange out
RP18-36	22-7/8 x 24-1/4 w/ 1/2 flange out
RP26-24	22-1/8 x 12-3/4 x 24
RP27-24	22-1/8 x 16-1/8 x 24
RP28-24	22-1/8 x 19-1/2 x 24
RP29-24	22-1/8 x 23 x 24
RP30-24	14 x 14 x 24
RP31-24	14 x 20 x 24
RP32-24	14 x 24 x 24
RP33-24	14 x 30 x 24
RP34-24	20 x 20 x 24
RP35-24	20 x 25 x 24
RP36-36	20 x 20 x 36
RP-PEX	20 x 19-1/4 x 24
RAFP	20 x 25 x 24 w/Filter Rack
RAFP20/25-3	20 x 25 x 36 w/Filter Rack
RAC24	20 x 25 x 24 R/A Plenum
RAC36	20 x 25 x 36 R/A Plenum
RP37	22-1/2 x 13-7/8
RP38	22-1/2 x 17-7/8
RP39	16 x 25

The above plenums are also available in 48" length.
 The PART NO. is RP#-48 (i.e. RP1-48).

DOWNFLOW SUPPLY PLENUMS

PART NO	DIMENSIONS (in)
DFSP248	8 x 24 Opening 20 Ga.
DFSP2412	12 x 24 Opening 20 Ga.

SUPPLY PLENUMS

- Constructed of 26 ga. galvanized steel with strengthening beads. One-inch lined.
- Individually boxed and labeled to customer specifications for convenient shipping and warehousing.
- Custom sizes available.

PART NO	DIMENSIONS (in)
SP1-36	12-5/8 x 19
SP2-36	16 x 19
SP3-36	19-3/8 x 19
SP4-36	23 x 19
SP5-36	16 x 21
SP6-36	23 x 21
SP7-36	34 x 21
SP8-36	12-1/2 x 11
SP9-36	16 x 11-1/4
SP10-36	19-1/2 x 11-1/4
SP11-36	13-1/4 x 21
SP12-36	16-3/4 X 21
SP13-36	20 x 21
SP14-36	23 x 23-1/2
SP15-36	3/4 x 21
SP16-36	21-3/4 x 21
SP17-36	24-3/4 X 21
SP18-36	16 x 16 x 36
SP19-36	20 x 20 x 36
SP20-36	16-3/4 x 14
SP21-36	16-3/4 x 17-5/8
SP22-36	16-3/4 x 21-1/4
SP23-36	16-3/4 x 24-7/8
SP24-36	12 x 14-3/8
SP25-36	12 x 17-7/8
SP26-36	12 x 21-1/2
SP27-36	12 x 25-1/8
SP28-48	19-1/2 x 20
SP29-48	13 x 20
SP30-36	11 x 20
SP31-36	11 x 23
SP32-36	11 x 22-3/4
SP33-36	18-5/8 x 21-1/4
SP34-36	30-5/8 x 21-1/4
SP35-36	13 x 19-3/4
SP36-36	16 x 19-3/4
SP37-36	19-1/2 x 19-3/4
SP38-36	12-3/4 x 19
SP39	14-3/16 x 18-9/16
SP40	17-1/2 x 18-9/16
SP41	21 x 18-9/16
SP42	24-1/2 x 18-9/16
SP43	22-3/4 x 16
SP44	28-3/8 x 21
SP45	30-3/8 x 21

McDANIEL METALS, INC.

DRAIN PANS

- Constructed of 20 ga. galvanized steel.
- Welded corners and welded 3/4 MPT fitting.

PART NO	DIMENSIONS (in)
DP14X44-26	14 x 44, 26 Ga. Galvanized Steel
DP16X44-20	16 x 44, 20 Ga. Galvanized Steel
DP32X36-26	32 x 36, 26 Ga. Galvanized Steel
DP31X48-26	31 x 48, 26 Ga. Galvanized Steel
DP31X60-26	31 x 60, 26 Ga. Galvanized Steel
DP31X65-26	31 x 65, 26 Ga. Galvanized Steel

HEATER PLATFORMS

- All platforms in each series constructed of 5/8" plywood.
- All platforms in each series covered in sheet metal.
- Heater stands constructed of 20 ga. galvanized steel.
- Saves time and money.

HFP SERIES

- Platform has two heater stands zip screwed to the top.
- Used primarily with horizontal gas furnaces.
- Just nail to studs — no need to hang furnace.

HBCP SERIES

- Platform has a drain pan spot welded to the top as well as heater stands spot welded into the interior of pan.
- Used primarily with electric air handlers.
- Makes a professional installation.

HFCP SERIES

- Platform has a drain pan spot welded to one side with a heater stand spot welded in the interior of the pan.
- Two heater stands zip screwed to the other side to accommodate a gas furnace.
- Used with a horizontal gas furnace and horizontal evaporator coil.

PART NO	DIMENSIONS (in)
HFP2448	24 x 48 Platform
HFP3048	30 x 48 Platform
HBCP3248	32 x 48 Platform with Drain Pan Spout
HBCP3260	32 x 60 Platform with Drain Pan Spout
HBCP3266	32 x 66 Platform with Drain Pan Spout
HBCP3276	32 x 76 Platform with Drain Pan Spout
HFCP3556	35 x 66 Platform with 24 x 35 Drain Pan

SLEEVES

- Sleeves give extension to get past the flue in horizontal applications.

PART NO	DIMENSIONS (in)
TR11-10	12-9/16 x 20
TR12-10	15-7/8 x 20
TR13-10	19-3/8 x 20
TR14-10	22-7/8 x 20

HEATER STANDS

- Constructed of 20 ga. galvanized steel.

PART NO	DIMENSIONS (in)
HS9X30	9 x 30 FLAT
HS6X30	6 x 30 FLAT
HS6X30WC	6 x 30 FLAT W/CAP

TRANSITIONS

- Constructed of 26 ga. galvanized steel.
- One-half inch lined.
- Twelve inches long.
- Individually boxed and labeled to customer specifications for convenient shipping and warehousing.

PART NO	DIMENSIONS (in)
TR1-18	19 x 12-5/8 to 16 x 21
TR2-18	19 x 14 to 23 x 21
TR3-18	19 x 16 to 23 x 21
TR4-18	19 x 19-1/2 to 34 x 21
TR5-18	11-1/4 x 21-1/2 to 16 x 21
TR6-18	11-1/4 x 21-1/2 to 23 x 21
TR7-18	14-3/4 x 21-1/2 to 23 x 21
TR8-18	18-3/4 x 21-1/2 to 34 x 21
TR9-18	19 x 22-7/8 to 34 x 21
TR10-18	19 x 14 to 16 x 21
TR15-18	19 x 14 to 16 x 21
TR16-18	19 x 16 to 34 x 21
TR17-18	19 x 19-1/2 to 23 x 21
TR21-8	13-1/4 x 23-5/8 to 13-1/4 x 20-3/4 w/ 1.5-in. liner
TR22-8	13-1/4 x 23-5/8 to 13-3/4 x 24 w/ 1.5-in. liner
TR23-8	16-1/2 x 23-5/8 to 13-1/4 x 20-3/4 w/ 1.5-in. liner
TR24-8	16-1/2 x 23-5/8 to 13-3/4 x 24 w/ 1.5-in. liner
TR25-8	16-1/2 x 23-5/8 to 18 x 18-3/4 w/ 1.5-in. liner
TR26-8	16-1/2 x 23-5/8 to 18 x 23-1/2 w/ 1.5-in. liner
TR27-8	20 x 23-5/8 to 13-3/4 x 24 w/ 1.5-in. liner
TR28-8	20 x 23-5/8 to 18 x 18-3/8 w/ 1.5-in. liner
TR29-8	20 x 23-5/8 to 18 x 23-1/2 w/ 1.5-in. liner
TR30-8	23-1/2 x 23-5/8 to 13-3/4 x 24 w/ 1.5-in. liner
TR31-8	23-1/2 x 23-5/8 to 18 x 18-3/8 w/ 1.5-in. liner
TR32-8	23-1/2 x 23-5/8 to 18 x 23-1/2 w/ 1.5-in. liner
TR33-18	19 x 12-5/8 to 23 x 21
TR34-18	19 x 12-5/8 to 18-5/8 x 21-1/4
TR35-18	19 x 19-1/2 to 30-5/8 x 21-1/4
TR36-18	BLOCKOUT TRANSITION
TR11-10	12-9/16 x 20
TR12-18	15-7/8 x 20
TR13-10	19-3/8 x 20
TR14-10	22-7/8 x 20
TR15-18	19 x 14 to 16 x 21
TR18-6	12-3/4 x 19-1/4 to 16-1/8 x 19