

The Totaline® FR Series Bathroom Fan Ventilation Kits



Totaline's versatile FR Series fans feature a plastic housing constructed of UL-recognized, UV-protected thermoplastic resin. This tough protective shell allows the fan to be mounted in outdoor and wet locations.* Ideal for multiple point exhaust, dual bathroom exhaust, or new room additions, FR Series fans are caulked at the motor screws, the wiring cables and along the seams of the fan to prevent moisture from entering the housing. Totaline's FR Series fans have long been the choice of residential builders and remodelers but now can be used for commercial projects with our recent UL commercial application rating.

Totaline® FR Series Bathroom Fan Ventilation Kits

- P451-REG100 - 4" bath kit with FR 100 fan.
- P451-REG140 - 6" bath kit with FR 140 fan.
- P451-DLX150 - 6" bath kit with FR 150 fan, balancing "Y" and two grille/collar/damper combinations.



Model	DESCRIPTION
P451-REG100	Kit includes one 122 CFM inline exhaust fan, one mounting bracket, 1 grille/collar/damper combination and clamps. Uses 4-in. duct. Ideal for single point ventilation in a bath or powder room.
P451-REG140	Kit includes one 214 CFM inline exhaust fan, one mounting bracket, 1 grille/collar/damper combination and clamps. Uses 6-in. duct. Ideal for single point ventilation in a larger bath.

Deluxe Bathroom Exhaust Kit for Dual Point Ventilation

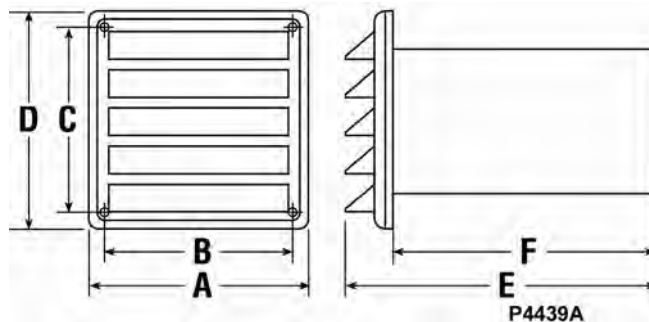
Model	DESCRIPTION
P451-DLX150	Kit includes one 243 CFM inline exhaust fan, one mounting bracket, 2 grille/collar/damper combinations and clamps. Uses 6-in. duct. This kit is ideal for use in a larger master bath where spot ventilation is needed in two locations.

EXTERIOR VENTS SUPPLY/EXHAUST OUTDOOR HOODS



P451-COM6P — 6" White Plastic Supply and Exhaust Hoods (Pair)

- Outdoor Hoods in 6" size.
- Includes a pair (2) supply/exhaust louvers. White.



Model	UPC#	∅ Duct*	A	B	C	D	E	F
P451-COM6P	24045	6	9-1/8	8-1/4	8-1/4	9-1/8	12-11/16	12

NOTE: Dimensional information in inches.

*Duct connections are 1/8-in. smaller than duct size.