

EMERSON CLIMATE TECHNOLOGIES-Shut Off Valves ABV Refrigeration Ball Valve-R-410A

The ABV isolates suction, discharge, and liquid line pipework during maintenance shutdown periods.



Features

- Forged brass body
- Hermetic design
- Compatible with new refrigerants/lubricants
- Full internal ports through 2 1/8"
- Bi-directional flow characteristics
- Valve stem cap retained by strap attached to main body
- Integrated access port available on all sizes

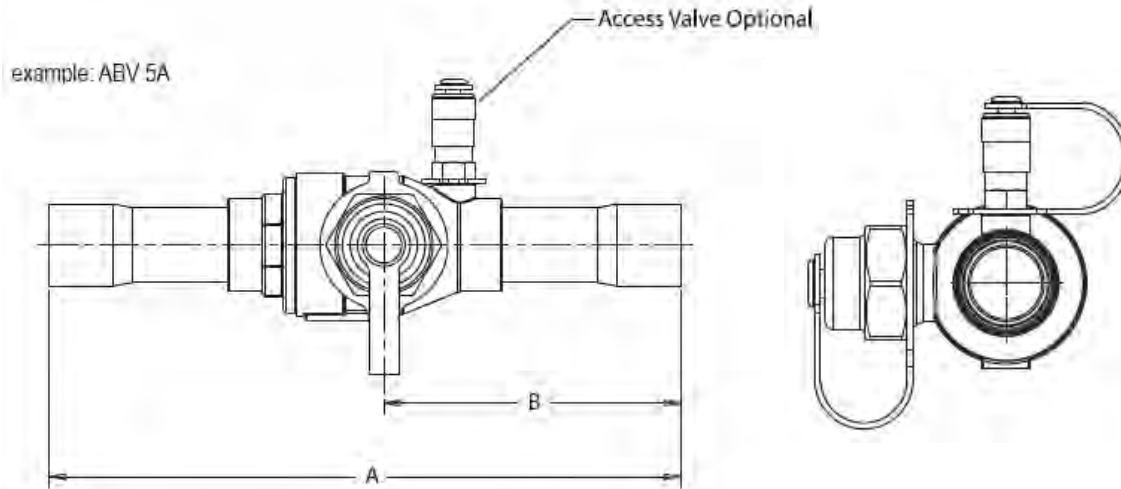
Specifications

- Body: Forged Brass
- Extensive Stubs: 100% Copper Connections
- Maximum Working Pressure: 680 psig except as noted below
- Not for use with R-123
- Fluid temperature range: +300°F to -40°F
- UL/CUL file number: SA 5312

Nomenclature example: ABV 5A

A	BV	5	A
Series	Ball Valve	Connection Size (in 1/8")	Access Valve (optional)

Dimensional Data



Selection & Ordering Information

PCN without Access Valve	PCN with Access Valve	Valve	Port Size	Connection Size	Dimensions (in)	
					A	B
064383	064384	ABV2	1/2	1/4 ODF	5.47	2.55
062104	062114	ABV3	1/2	3/8 ODF	5.47	2.55
062105	062115	ABV4	1/2	1/2 ODF	6.35	2.97
062106	062116	ABV5	1/2	5/8 ODF	6.35	2.97
064385	064386	ABV6	3/4	3/4 ODF	7.42	3.49
062107	062117	ABV7	3/4	7/8 ODF	7.42	3.49
062108	062118	ABV9	1	1 1/8 ODF	9.11	4.47
062109	062119	ABV11	1 1/4	1 3/8 ODF	9.97	4.84
062110	062120	ABV13	1 1/2	1 5/8 ODF	10.98	5.38
062111	062121	ABV17	2	2 1/8 ODF	11.72	5.77
062112	062122	ABV21*	2	2 5/8 ODF	11.72	5.77
062113	062123	ABV25*	2	3 1/8 ODF	11.81	5.82

*500 psig maximum work pressure

Compressors,
Chillers, Condensers

Motors

Electrical

Heating
Components

Indoor Air
Quality

Thermostats

Oils &
Chemicals

Accessories, Supplies
& Commodities

Tools &
Instruments

Refrigeration