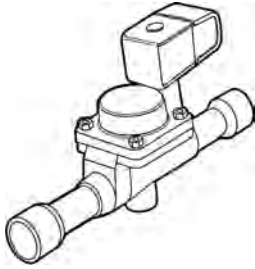


Refrigeration

DANFOSS SOLENOID VALVES DSV01



Ordering

Separate valve bodies, normally closed (NC)

INTRODUCTION

EVR is a direct or servo operated solenoid valve for liquid, suction, and hot gas lines using fluorinated refrigerants. EVR valves are supplied as separate components; valve body and coil, if required, can be ordered separately.

FEATURES

- A complete range of solenoid valves for refrigeration, freezing and air conditioning systems.
- Normally closed (NC) and normally open (NO) versions available.
- AC and DC coils are interchangeable on all valve body versions.
- Use with any fluorinated refrigerant.
- Designed for media temperatures up to 220° F.
- Flare connections up to 5/8".
- Solder connections up to 2-1/8".
- Solder versions have extended connections; there is no need to Dismantle the valve when soldering.

APPROVALS

NOTE: These approvals are only recognized when one of the EVR series of solenoid valves found in this leaflet is combined with a GP general purpose coil.

- UL listed, file MH 7648.
- CSA certified, LR 52727.

TYPE	Rated capacity R22 (liquid) tons	Connection in	Port size in	Cv value gal/min	Part no. Valve body without coil type Flare		Part no. Valve body without coil type Sol- der ODF	
					With manual stem operation in.	Without manual stem operation in.	With manual stem operation in.	Without manual stem operation in
EVR 2	1.17	1/4	3/32	0.19	--	032F8058	--	032F7100
EVR 3	2.03	1/4	1/8	0.32	--	032F8106	--	032F7105
EVR 3	2.03	3/8	1/8	0.32	--	032F8115	--	032F1157
EVR 4	4.15	3/8	5/32	0.66	--	032F8087	--	032F7110
EVR 4	4.15	1/2	5/32	0.66	--	032F8089	--	032F7111
EVR 6	5.83	3/8	15/64	0.93	032F1185	032F8071	032F7116	032F7115
EVR 6	5.83	1/2	15/64	0.93	--	032F8078	--	032F1162
EVR 6	5.83	5/8	15/64	0.93	--	--	--	032F7117
EVR 6	5.83	5/8	15/64	0.93	--	--	--	032F7117
EVR 8	8.01	3/8	9/32	1.30	--	--	--	032F7120
EVR 8	8.01	1/2	9/32	1.30	--	032F7123	--	032F7121
EVR 8	8.01	5/8	9/32	1.30	--	--	--	032F7122
EVR 10	13.8	3/8	3/8	2.20	--	--	--	032F7125
EVR 10	13.8	1/2	3/8	2.20	032F1187	032F1165	032F1188	032F1166
EVR 10	13.8	5/8	3/8	2.20	--	--	--	032F1168
EVR 15	18.9	5/8	9/16	3.00	--	--	032F1172	032F1171
EVR 15	18.9	7/8	1/4	3.00	--	--	--	032F7130
EVR 18	24.6	7/8	19/32	3.90	--	--	032F1004	032F7135
EVR 18	24.6	1 1/8	19/32	3.90	--	--	--	--
EVR 20	36.4	7/8	7/8	5.80	--	--	032F1177	032F1176
EVR 20	36.4	1 1/8	7/8	5.80	--	--	032F2272	032F1178
EVR 22	43.7	1 1/8	9/16	6.90	--	--	--	032F7145
EVR 22	43.7	1 3/8	9/16	6.90	--	--	--	032F7146
EVR 25	72.8	1 1/8	1	12.00	--	--	032F1190	032F1189
EVR 25	72.8	1 3/8	1	12.00	--	--	032F1194	032F1193
EVR 32	116.5	1 5/8	7/8	18.00	--	--	042H1179	042H1178
EVR 40	182.0	1 5/8	1	29.00	--	--	042H1186	042H1185
EVR 40	182.0	2 1/8	1	29.00	--	--	042H1188	042H1187
EVR 40	182.0	2 1/8	1	29.00	--	--	042H1188	042H1187

Metric conversions 1 ton = 3.5 kW
 1 psi = 0.07 bars 1 in. = 25.4 mm
 5/9 (t1°F-32) = t2°C US gal/min = 8.6 m3/h

Ordering-II

Separate valve bodies, normally open (NO)

TYPE	Rated capacity R22 (liquid) tons	Connection in	Port size in	Cv value gal/min	Solder ODF in
EVR 6	5.8	3/8	1/4	0.93	032F1164
EVR 10	13.8	1/2	3/8	2.20	032F1169
EVR 15	18.9	5/8	9/16	3.00	032F1174

Coils, see next page.

DANFOSS TYPE EVR 2 TO 40 - SOLENOID VALVES

GENERAL PURPOSE CLICK-ON COIL, TYPE GP



INTRODUCTION

General purpose Click-on coil, type GP sealed to protect against moisture, Easy click-on mounting system

Approvals:



Listed EVR MH7648



Conformity with LV D 73/23/EC with amendments EN 60730-2-8

TECHNICAL DATA

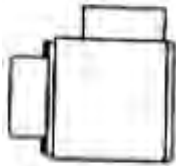
Design	In accordance with UL 429
Power supply	Alternating current (a.c) and direct current (d.c)
Permissible voltage variation	Alternating current (a.c) : +10 to - 15% Direct current (d.c) : +10 to -10
Power consumption	Alternating current (a.c) : Inrush; 49 VA; Holding; 28VA, 14W Direct current (d.c) ; 20 W
Insulation of coil wire	Class H according to IEC 85
Connection	Junction box or Conduit boss
Enclosure, IEC 529	Junction box NEMA 2 0- IP 12-32 Conduit boss NEMA 4 – IP 54
Ambient temperature	-40 to 140°F (-40 to + 50°C)

Cross reference list - GP Coils

Old Part No.	New Part No.
018Z7613	018F7683
018Z7612	018F7682
018Z7611	018F7681
018Z7603	018F7689
018Z7623	018F7693
018Z7622	018F7692
018Z7621	018F7691
018Z7625	018F7699

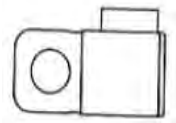
Ordering

Alternating Current(a.c)



Valve Type	Voltage V	Frequency Hz	PART NO.		Power Consumption
			Junction Box NEMA 2	Conduit Boss NEMA 4	
EVR	24	50/60	018F7683	018F7693	Holding: 14W 20 VA
EVM	110	50/60			
EVRA/T	120	60	018F7682	018F7692	
EVRS/T	208-240	60			
AKV/A	230	50	018F7681	018F7691	Inrush: 49 V

Direct Current (d.c)



Valve Type	Voltage V	Frequency Hz	PART NO.		Power Consumption
			Junction Box NEMA 2	Conduit Boss NEMA 4	
	120		018F7689	018F7699	20W

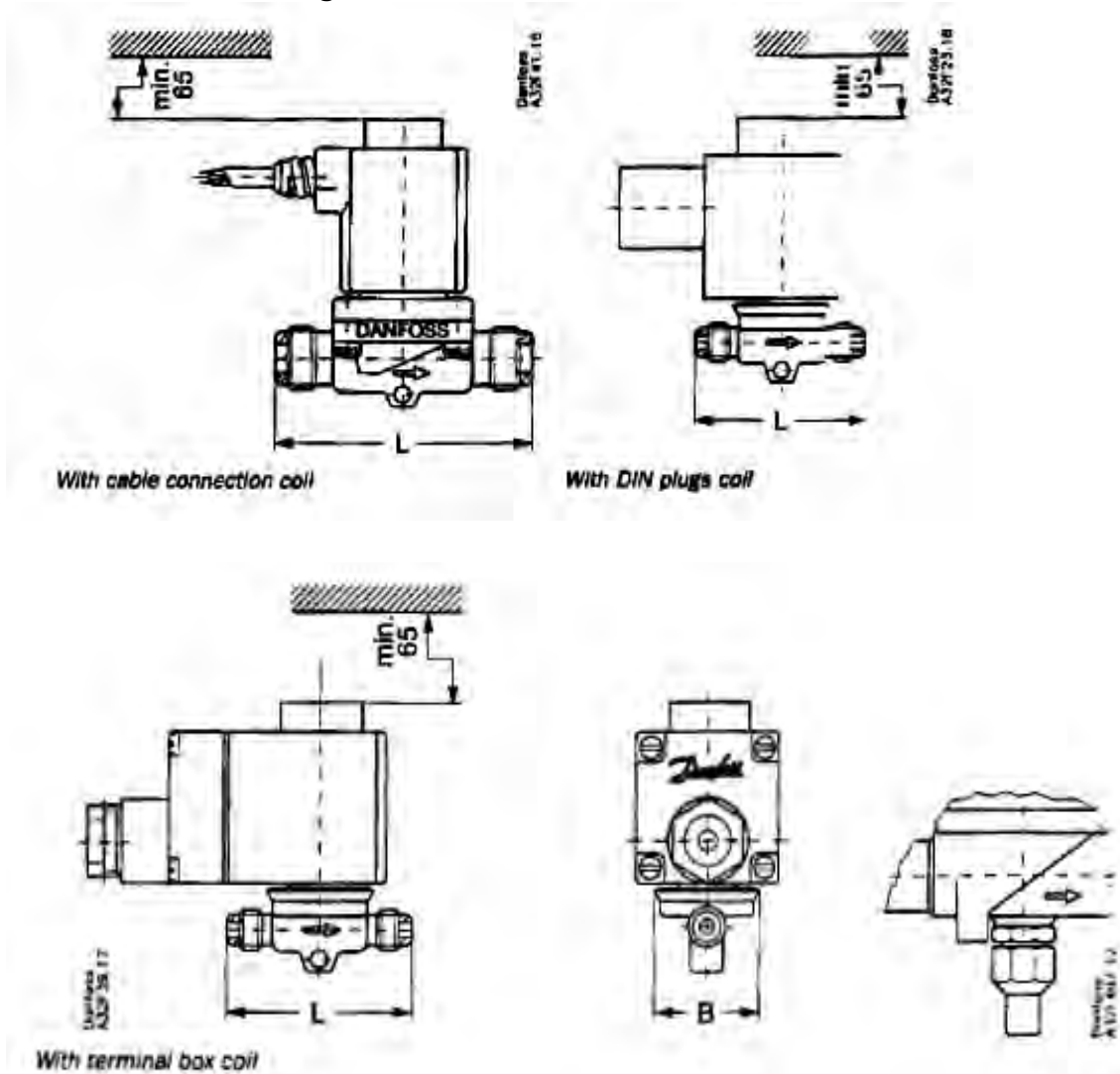
Compressors, Chillers, Condensers
 Motors
 Electrical
 Heating Components
 Indoor Air Quality
 Thermostats
 Oils & Chemicals
 Accessories, Supplies & Commodities
 Tools & Instruments
 Refrigeration

DANFOSS SOLENOID VALVES TYPE EVR 2 TO 40

EVR (NC) 2-15 FLARE CONNECTION

EVR (NC) 2 – 15 FLARE CONNECTION

Dimensions and Weights



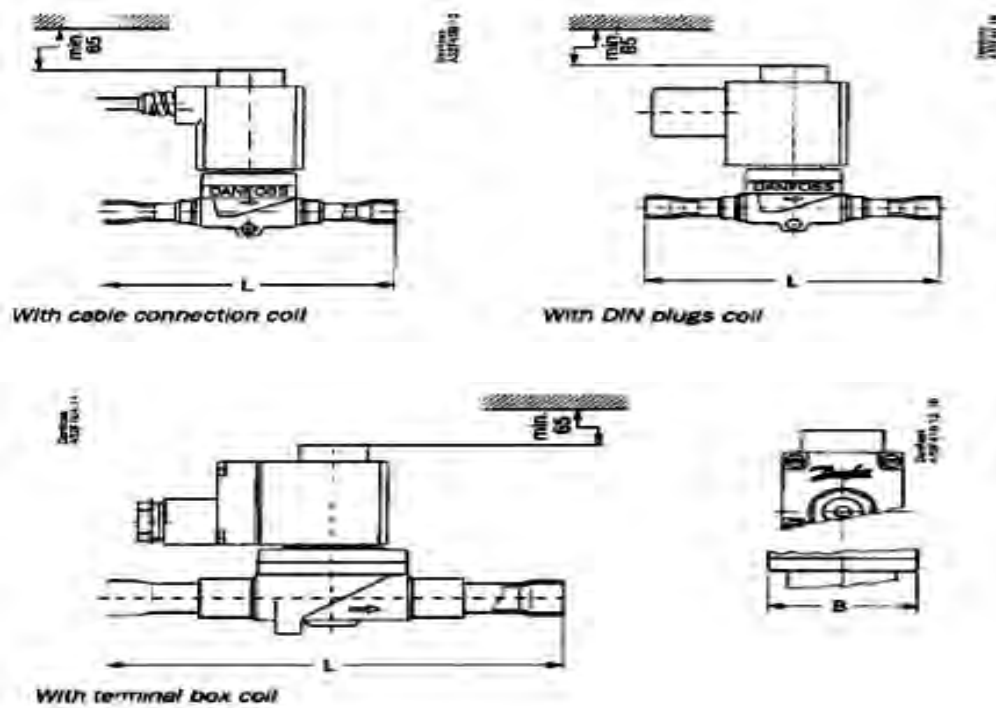
Type	Connection Flare	L	B	Weight with coil
	in.	in.	in.	lbs.
EVR 2	1/4	2.33	1.30	1.10
EVR 3	1/4	2.33	1.30	1.10
	3/8	2.50	1.30	1.10
EVR 6	3/8	2.75	1.50	1.33
	1/2	3.00	1.50	1.33
EVR 10	1/2	3.31	1.80	1.77
	5/8	3.65	1.80	1.77
EVR 15	5/8	4.10	2.25	2.20

DANFOSS SOLENOID VALVES TYPE EVR 2 TO 40

EVR (NC) 2-15 FLARE CONNECTION

EVR (NC) 2 – 22 SOLDER CONNECTION

Dimensions and Weights



Type	Connection	L	B	Weight with coil
	Solder			
	in.	in.	in.	lbs.
EVR 2	1/4	4.00	1.30	1.10
EVR 3	1/4	4.00	1.30	1.30
	3/8	4.50	1.30	1.30
EVR 6	3/8	4.30	1.50	1.30
	1/2	5.00	1.50	1.30
EVR 10	1/2	5.00	1.80	1.60
	5/8	6.30	1.80	1.60
EVR 15	5/8	7.00	2.25	2.20
	7/8	7.00	2.25	2.20
EVR 20	7/8	7.50	2.90	3.30
	1-1/8	8.50	2.90	3.30
EVR 22	1-3/8	11.00	2.90	3.30

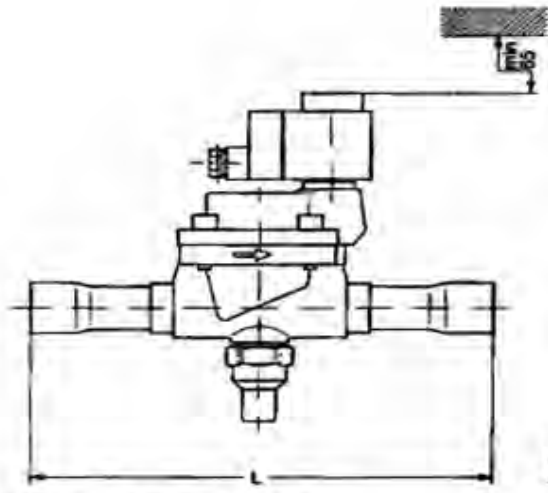
Refrigeration

DANFOSS SOLENOID VALVES TYPE EVR 2 TO 40

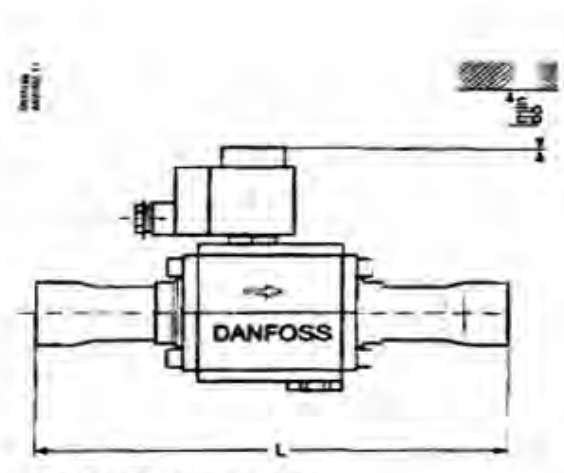
EVR (NC) 2-15 FLARE CONNECTION

EVR (NC) 25 – 40 SOLDER CONNECTION

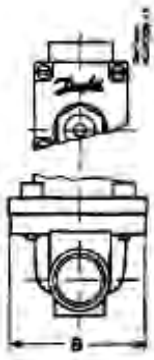
Dimensions and Weights



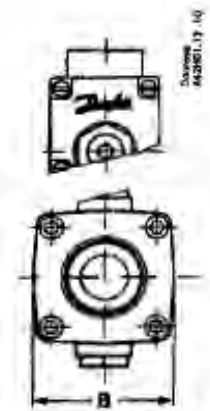
EVR 25 with terminal box coil



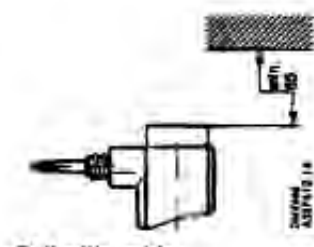
EVR 32 and 40 terminal box



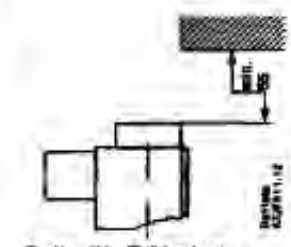
EVR 25



EVR 32 and 40



Coil with cable



Coil with DIN plugs

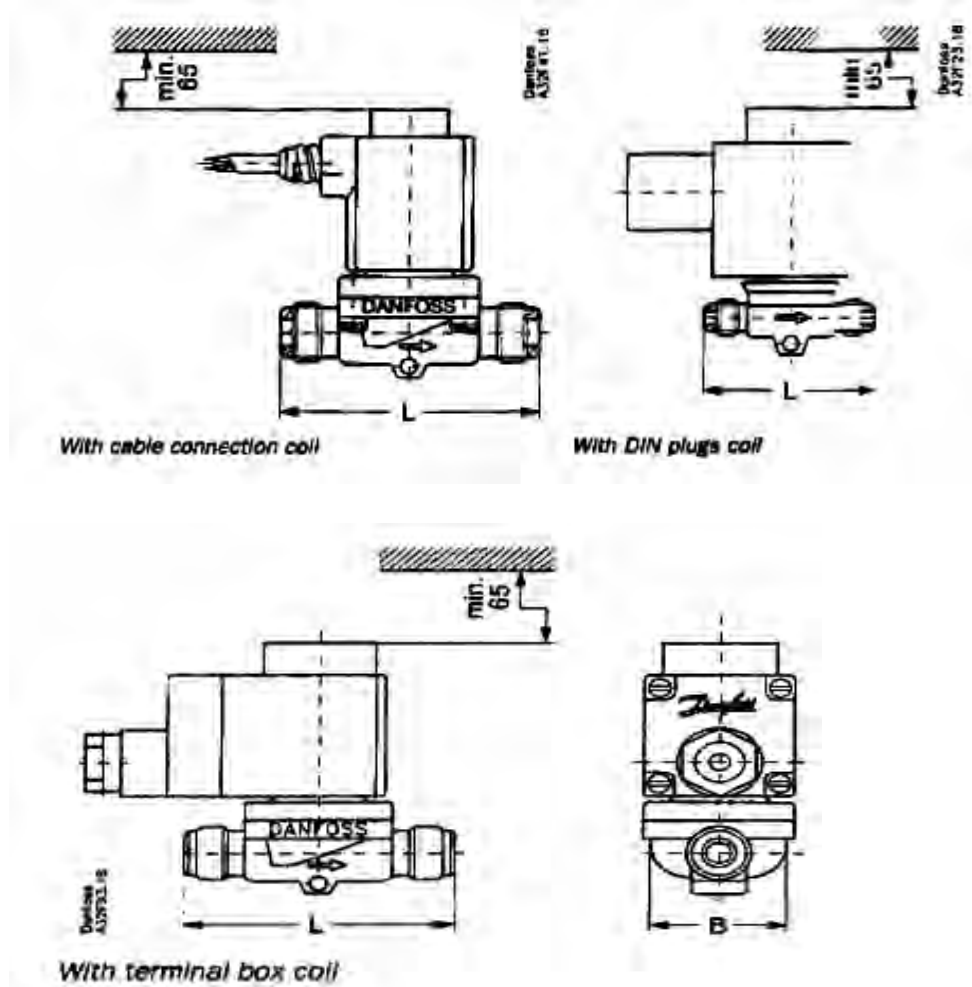
Type	Connection Solder	L	B	Weight with coil
	in.			
EVR 25	1-1/8	10.00	3.75	28.75
	1-3/8	11.00	3.75	29.35
EVR 32	1-3/8	11.00	3.15	32.00
	1-5/8	11.00	3.15	32.25
EVR 40	1-5/8	11.00	3.15	32.25
	2-1/8	11.00	3.15	32.25

DANFOSS SOLENOID VALVES TYPE EVR 2 TO 40

EVR (NC) 2-15 FLARE CONNECTION

EVR (NC) 6 – 22 FLARE CONNECTION

Dimensions and Weights



Type	L	B	Weight with coil
	in.	in.	lbs.
EVR 6	2.72	1.50	1.33
EVR 10	3.31	1.80	1.60
EVR 15	4.10	2.25	2.00

Type	L	B	Weight with coil
	in.	in.	lbs.
EVR 6	4.30	1.50	1.33
EVR 10	5.00	1.80	1.60
EVR 15	7.00	2.25	2.00
EVR 20	7.50	2.90	3.30
EVR 22	11.00	2.90	3.30

1) Applies to 7/8 in. connections. For 1-1/8 in. connections, L=8.43 in.