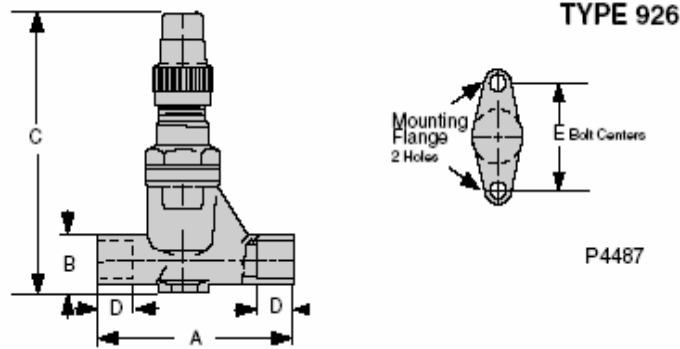


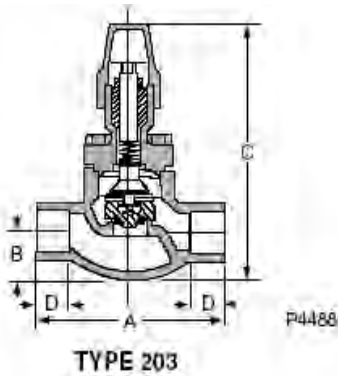
HENRY TECHNOLOGIES - SEAL CAP VALVES — Backseating Design

- Forged Brass Body with Integral Mounting Flange, Plated Steel Stem; Brass Bonnet and Molded Valox Seal Cap.
- Backseating: Can Be Repacked Under Pressure.
- Temperature Rating: -20° F (-29° C) to $+300^{\circ}\text{ F}$ ($+149^{\circ}\text{ C}$)
- Maximum Working Pressure: 500 PSI, (35 Kg/cm²)
- Recommended for Hot Gas Service or Other High Temperature Applications.

PART NO	SIZE CONN	DIMENSIONS (in)						WT(lb)
		A	B	C	D	E	F	
9261	1/4 ODS	2.69	.66	4.35	.31	1.63	.28	.79
9263	3/8 ODS	3.00	.66	4.35	.38	1.63	.28	.81
9264	1/2 ODS	3.19	.66	4.35	.44	1.63	.28	.80
9265	5/8 ODS	3.19	.66	4.35	.52	1.63	.28	.79



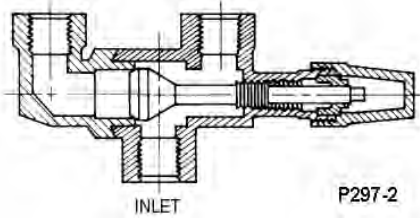
HENRY TECHNOLOGIES - SEAL CAP VALVES — GLOBE DESIGN



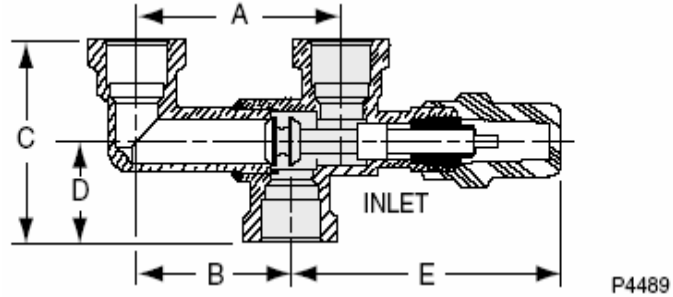
- Valve Bodies: Cast Bronze.
- Backseating: Can Be Repacked Under Pressure.
- Temperature Rating: -40° F (-40° C) to $+325^{\circ}\text{ F}$ ($+163^{\circ}\text{ C}$)
- Maximum Working Pressure: 450 PSI, (31 Kg/cm²).

PART NO	SIZE CONN	DIMENSIONS (in)				WT(lb)
		A	B	C	D	
2030-AA	7/8 ODS	4.25	.97	5.62	.75	3.00
2030-BA	1-1/8 ODS	4.88	1.14	5.88	.94	4.68
2031	1-3/8 ODS	5.38	1.25	8.75	1.00	7.35
2032	1-5/8 ODS	6.50	1.50	9.94	1.13	10.40
2033	2-1/8 ODS	8.50	2.00	10.63	1.50	16.69
2034	2-5/8 ODS	11.00	2.25	11.94	1.69	28.12
2035	3-1/8 ODS	12.00	2.63	13.25	1.75	44.00

HENRY TECHNOLOGIES - THREE-WAY DUAL SHUT-OFF VALVES



- Bodies: 92 Series: Forged Brass; 802 Series: Forged Steel; Painted.
- Maximum Working Pressure: 450 PSIG (31.5 Kg/Cm²)
- Temperature Rating: -20° F (-29° C) to +300° F (+149° C)
- Recommended for Use with Relief Valve Types.
- 802A Series is Suitable for Refrigerants Including Ammonia and Other Industrial Fluids Non-Corrosive to Steel.



PART NO	SIZE CONNECTIONS (in)	DIMENSIONS (in)					WT (Lb)
		A	B	C	D	E	
923	3/8 NPTF	2.75	2.06	2.50	1.25	3.60	1.15
925	1/2 NPTF	2.75	2.06	2.50	1.25	3.60	1.05
927	3/4 NPTF	2.75	2.06	2.81	1.40	3.88	1.67
8021A	1/2 NPTF	3.63	2.31	3.88	1.75	5.75	3.21
8022A	3/4 NPTF	3.63	2.31	3.88	1.75	5.75	3.00
8024	1 NPTF	5.81	3.68	3.88	2.00	7.50	7.87
8025	1-1/4 NPTF	5.81	3.68	3.88	2.00	7.50	6.92

Compressors,
Chillers, Condensers

Motors

Electrical

Heating
Components

Indoor Air
Quality

Thermostats

Oils &
Chemicals

Accessories, Supplies
& Commodities

Tools &
Instruments

Refrigeration