

PARKER - THERMOSTATIC EXPANSION VALVES TXV MODEL NUMBER SELECTION

Parker TEV Model Visual

N Series TEV



Applications:
Low Profile Coolers,
Ice Machines,
Beverage Dispensers

C(E) Series TEV



Applications:
Rail and Transport
Refrigeration,
Supermarket Cases,
Walk-in Coolers

SC(E) Series TEV



Applications:
Supermarket Cases,
Walk-in Freezers,
Ice Machines

EC(E) Series TEV



Applications:
Supermarket Cases,
Transport Refrigeration,
Walk-in Coolers

H Series TEV



Applications:
Air Conditioning,
Heat Pumps, Bi-flow
(Package Systems)

HC Series TEV



Applications:
Air Conditioning,
Heat Pumps

LOWER ELEMENTS FOR MODEL SC(E), EC(E), AND C(E) SERIES VALVES

Part Number	Model Number	Refrigerant	Cap. tube length (inches)	Evaporator Temperature Range
180376	KT-46-JW	R12, R134A	60	Used from -40 to +60 degrees F
180384	KT-46-JX60	R12, R134A	60	Used from +10 to +60 degrees F
180424	KT-46-VZ	R22, R407C	60	Used from -40 to 0 degrees F
180416	KT-46-VW	R22, R407C	60	Used from -40 to +60 degrees F
180418	KT-46-VX35	R22, R407C	60	Used from -40 to +10 degrees F
180420	KT-46-VX75	R22, R407C	60	Used from -40 to +10 degrees F
180422	KT-46-VX100	R22, R407C	60	Used from +10 to +60 degrees F
180394	KT-46-SW	R502, R404A, R507	60	Used from -40 to +60 degrees F
180396	KT-46-SX35	R502, R404A, R507	60	Used from -40 to +10 degrees F
180406	KT-46-SX110	R502, R404A, R507	60	Used from +10 to +60 degrees F
180414	KT-46-SZ	R502, R404A, R507	60	Used from -40 to 0 degrees F

PARKER - EG AND EGE SERIES - THERMOSTATIC EXPANSION VALVES SC AND SCE SERIES

The SC series refrigeration right angle brass body expansion valve incorporates a replaceable power element, and a removable inlet strainer, making it an ideal choice for commercial refrigeration and supermarket applications. New Rainbow Charges™ are noted below for use on medium temperature ("W" charges), low temperature ("Z" charges) or MOP ("X" charges). See details on page 5.

Applications:

- Supermarket Cases
- Self-contained Cases
- Walk-in Coolers/Freezers
- Ice Machines
- Salad Bars
- Transport Refrigeration

Features:

- Replaceable power element
- 30" capillary tube
- Removable inlet strainer
- Field adjustable superheat
- 1/4" ODF external equalizer
- W, Z or MOP (X) charges available
- Weight: 1.0 lbs/0.45 kg



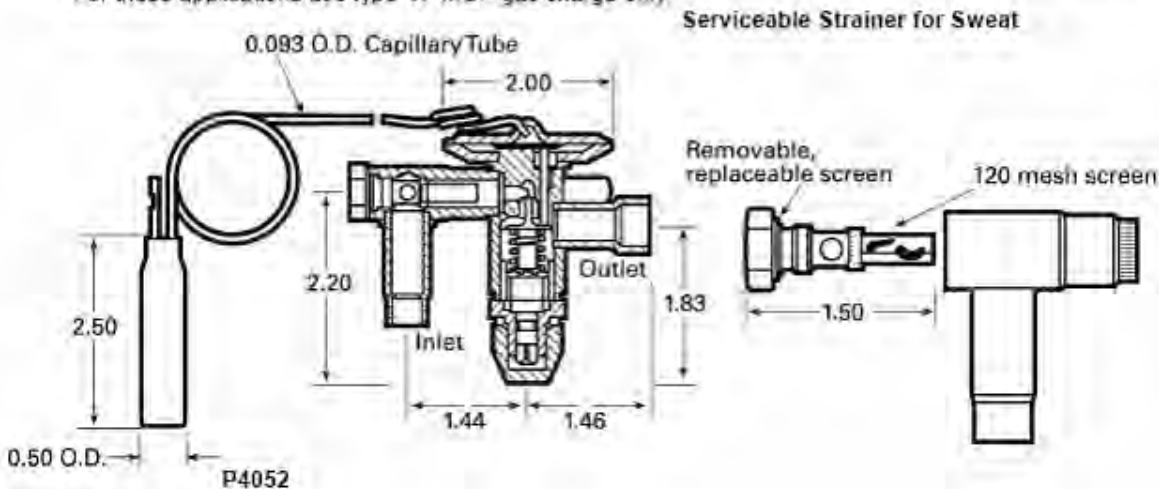
P4051

SC Series

Refrigerant	Refrigerant designation	Nominal capacity	Internally equalized	Externally equalized	Rainbow charges™	Inlet connections	Outlet connections
R-12 R-134a R-401A R-401B	J	1/8 1/4 1/2 1 1-1/2 2	SC-AAA-J SC-AAA-J SC-AA-J SC-A-J SC-B-J SC-B-J	SCE-AAA-J SCE-AAA-J SC-AA-J SCE-A-J SCE-B-J SCE-B-J	W, X80	3/8" ODF	1/2" ODF
R-402B R-404A R-402A R-502 R-507	S	1/8 1/4 1/2 1 1 1/2	SC-AAA-S SC-AAA-S SC-AAA-S SC-A-S SC-B-S SC-B-S	SCE-AAA-S SCE-AAA-S SCE-AAA-S SCE-AA-S SCE-B-S SCE-B-S	W, Z, X35, X110	3/8" ODF	1/2" ODF
R-22 R-407C	V	1/4 1/2 1 1-1/2 2 2-1/2 3	SC-AAA-V SC-AA-V SC-A-V SC-A-V SC-B-V SC-B-V SC-B-V	SCE-AAA-V SCE-AA-V SCE-A-V SCE-A-V SCE-B-V SCE-B-V SCE-B-V	W, Z, X35, X100	3/8" ODF	1/2" ODF

NOTES

1. Maximum operational pressure 500 psig (35 bars) high side and 275 psig (19 bars) low side.
2. Maximum storage temperature 130° F (55° C).
3. Consult Parker for pressure and temperature exceptions.
4. Do not use "W" or "Z" liquid charges in applications where bulb temperatures can exceed 130° F (55° C). For these applications use type "X" MOP gas charge only.



Refrigeration

PARKER - EG AND EGE SERIES - THERMOSTATIC EXPANSION VALVES

R-12, R-134a, R-401A, R-401B

SC & SCE Series (Replaces EG and EGE Series)

Refrigerants R-12, R-134a, R-401A, R-401B

PART NO	MODEL NO	NOMINAL TONS	INLET (in ODF)	OUTLET (in ODF)	EQUALIZER (in ODF)
040413-05	SCE-AA-JW	1/2	3/8	1/2	1/4
040413-07	SCE-A-JW	1	3/8	1/2	1/4
040414-01	SCE-B-JW	1-2	3/8	1/2	1/4

Refrigerants R-22, R407C

PART NO	MODEL NO	NOMINAL TONS	INLET (in ODF)	OUTLET (in ODF)	EQUALIZER (in ODF)
040406-09	SCE-AAA-VW	1/4	3/8	1/2	1/4
040406-13	SCE-AA-VW	1/2	3/8	1/2	1/4
040406-15	SCE-AA-VZ	1/2	3/8	1/2	1/4
040407-09	SCE-A-VW	1	3/8	1/2	1/4
040407-11	SCE-A-VZ	1	3/8	1/2	1/4
040408-13	SCE-B-VW	2	3/8	1/2	1/4
040407-15	SCE-B-VZ	2	3/8	1/2	1/4

Refrigerants R-402A, R-402B, R-404A, R-502, R-507

PART NO	MODEL NO	NOMINAL TONS	INLET (in ODF)	OUTLET (in ODF)	EQUALIZER (in ODF)
040415-15	SCE-AAA-SZ	1/4	3/8	1/2	1/4
040416-09	SCE-AA-SW	1/2	3/8	1/2	1/4
040416-11	SCE-AA-SZ	1/2	3/8	1/2	1/4
040416-13	SCE-A-SW	1	3/8	1/2	1/4
040416-15	SCE-A-SZ	1	3/8	1/2	1/4
040417-09	SCE-B-SW	1-1/2	3/8	1/2	1/4
040417-10	SCE-B-SX35	1-1/2	3/8	1/2	1/4
040417-11	SCE-B-SZ	1-1/2	3/8	1/2	1/4

Compressors,
Chillers, Condensers

Motors

Electrical

Heating
Components

Indoor Air
Quality

Thermostats

Oils &
Chemicals

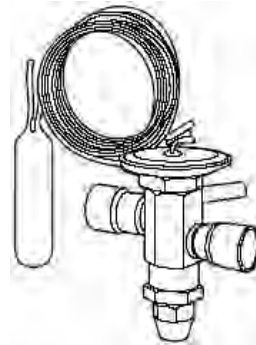
Accessories, Supplies
& Commodities

Tools &
Instruments

Refrigeration

PARKER - HAE SERIES AND HCAE SERIES - THERMOSTATIC EXPANSION VALVES

The H series balanced port valve is designed specifically for air conditioning and heat pumps used in both air or water source systems. It offers features such as select indoor and/or outdoor thermostatic Rainbow Charges™, bleeds, and a variety of connection styles for the inlet, outlet, and external equalizer. The HC series adds a built-in 5 ton check valve for R-22, R-407C and R-410A heat pump applications with either factory set or field adjustable superheat.



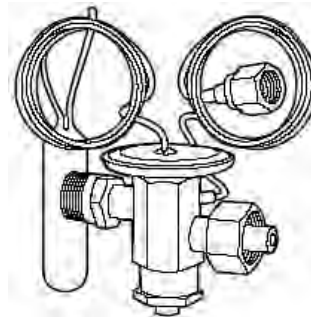
P4059

APPLICATIONS:

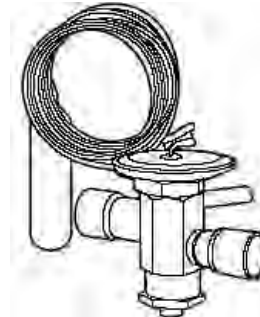
- Air Conditioning Systems
- Heat Pump Systems
- Bi-flow (package) Systems

FEATURES:

- Stainless steel power element
- Bypass bleeds available
- Bi-directional metering available
- Weight: 10.7 oz. (.30 kg)
- Factory set or field adjustable superheat
- Low pressure drop internal check valve



P4060



P4061

PARKER - THERMOSTATIC EXPANSION VALVES

H Series and HC Series

Refrigerant	Refrigerant Designation	Capacity Range	Nominal Capacity	Internal Equalized	Exterior Equalized	Rainbow Charges	Bleed for Off cycle Operation	Inlet Connections	Outlet Connections	
R-22 R-407C	V	1/2 - 1 1/2	1 - 1/2	HA 1-1/2V	HAE 1-1/2V	X-100A, X100	B	1/4, 3/8, 1/2 & 5/8" ODF flo-rater	3/8, 1/2, 5/8 & 7/8" ODF flo-rater	
		1-1/2 - 3	3	HA 3V	HAE 3V		B			
		3-1/2 - 5	5	HA 5V	HAE 5V		B			
		5-1/2 - 7-1/2	7-1/2	-	HAE 7-1/2V		B			
		8 - 10	10	-	HAE 10V		B			
models with internal check valves - "C" designation										
R-22 R-407C	V	1/2 - 1-1/2	1-1/2V	HCA 1-1/2V	HCAE 1-1/2V	X100A, X100	B	1/4, 3/8, 1/2 & 5/8" ODF flo-rater	3/8, 1/2, 5/8 & 7/8" ODF flo-rater	
		1-1/2 - 3	3	HCA 3V	HCAE 3V		B			
		3-1/2 - 5	5	HCA 5V	HCAE 5V		B			
R-410A	K	1/2 - 1-1/2	1-1/2V	HA 1-1/2K	HAE 1-1/2K	X200	B	1/4, 3/8, 1/2 & 5/8" ODF flo-rater	3/8, 1/2, 5/8 & 7/8" ODF flo-rater	
		1-1/2 - 3	3	HA 3K	HAE 3K		B			
		3-1/2 - 5	5	HA 5K	HAE 5K		B			
		5-1/2 - 7	7	-	HAE 7K		B			
		7-1/2 - 9	9	-	HAE 9K		B			
	specific models with internal check valves - "C" designation									
	R-410A	K	1/2 - 1-1/2	1-1/2	HCA 1-1/2K	HCAE 1-1/2K	X200	B	1/4, 3/8, 1/2 & 5/8" ODF flo-rater	3/8, 1/2, 5/8 & 7/8" ODF flo-rater
			1 - 2	5	HCA 2K	HCAE 2K		B		
			1-1/2 - 3	5	HCA 3K	HCAE 3K		B		
3-1/2 - 5			5	HCA 5K	HCAE 5K	B				

NOTES:

1. U.L. recognized for maximum operational pressure of 650 psig (45 bars).
2. Maximum storage temperature 130° F (55° C).
3. Consult Parker for pressure and temperature exceptions.

Refrigeration

PARKER - H AND HC SERIES - THERMOSTATIC EXPANSION VALVES

R-22, R-407C

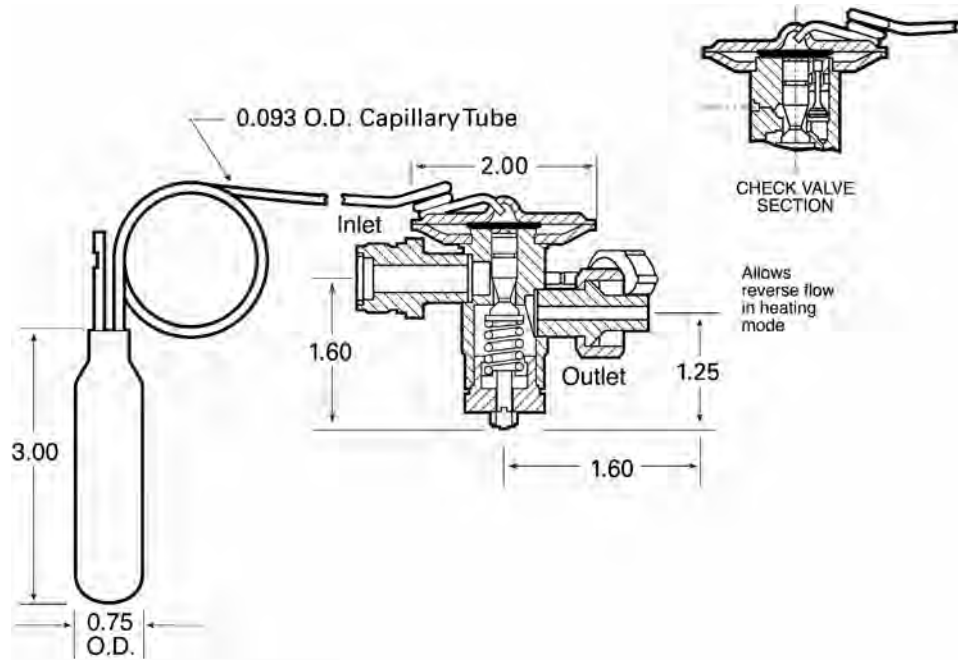
Dimensions (inches)

Connections (ODF)

NOTE: For adjustable add .66 inch.

INLET/OUTLET	A	B
0.250	1.46	1.46
0.375	1.69	1.69
0.500	1.46	1.46
0.625	1.57	1.57
0.875	—	2.07

Connections: flo-rater
 Inlet: 3/4"-20 UNF2A
 Outlet: 3/4"-20 UNF2A



PARKER H AND HC SERIES

Refrigerants R-22, R-407C

PART NO	MODEL NO	NOMINAL TONS	INLET (in ODF)	OUTLET (in ODF)	EQUALIZER (in)
040587-01	HAE-3-VX100	11/2 - 3	3/8	1/2	1/4 FL NUT
040587-02	HAE-3-VX100B15	11/2 - 3	3/8	1/2	1/4 FL NUT
040725-02	HAE-3-VX100A	11/2 - 3	Aeroquip fitting	Aeroquip fitting	1/4 FL NUT
040727-01	HCAE-3-VX100	11/2 - 3	3/8	1/2	1/4 FL NUT
041439-03	HCAE-3-VX100B20	11/2 - 3	3/8	1/2	1/4 FL NUT
041438-01	HCAE-3-VX100A	11/2 - 3	Aeroquip fitting	Aeroquip fitting	1/4 FL NUT
040725-01	HCAE-3-VX100A	11/2 - 3	Chatliff fitting	Chatliff fitting	1/4 FL NUT
040588-01	HAE-5-VX100	31/2 - 5	3/8	5/8	1/4 FL NUT
040588-02	HAE-5-VX100B15	31/2 - 5	3/8	5/8	1/4 FL NUT
040726-02	HAE-5-VX100A	31/2 - 5	Aeroquip fitting	Aeroquip fitting	1/4 FL NUT
040728-01	HCAE-5-VX100	31/2 - 5	3/8	5/8	1/4 FL NUT
041449-03	HCAE-5-VX100B20	31/2 - 5	3/8	5/8	1/4 FL NUT
041448-01	HCAE-5-VX100A	31/2 - 5	Aeroquip fitting	Aeroquip fitting	1/4 FL NUT
040726-01	HCAE-5-VX100A	31/2 - 5	Chatliff fitting	Chatliff fitting	1/4 FL NUT

Refrigerant R-410A

PART NO	MODEL NO	NOMINAL TONS	INLET (in ODF)	OUTLET (in ODF)	EQUALIZER (in)
040635-01	HAE-3-ZX200	11/2 - 3	3/8	1/2	1/4 FL NUT
040635-02	HAE-3-ZX200B15	11/2 - 3	3/8	1/2	1/4 FL NUT
040771-01	HCAE-3-ZX200	11/2 - 3	3/8	1/2	1/4 FL NUT
041426-05	HCAE-3-ZX200B20	11/2 - 3	3/8	1/2	1/4 FL NUT
041426-01	HCAE-3-ZX200	11/2 - 3	Aeroquip fitting	Aeroquip fitting	1/4 FL NUT
040769-01	HCAE-3-ZX200A	11/2 - 3	Chatliff fitting	Chatliff fitting	1/4 FL NUT
040634-01	HAE-5-ZX200	31/2 - 5	3/8	5/8	1/4 FL NUT
040634-02	HAE-5-ZX200B15	31/2 - 5	3/8	5/8	1/4 FL NUT
040772-01	HCAE-5-ZX200	31/2 - 5	3/8	5/8	1/4 FL NUT
041436-06	HCAE-5-ZX200B20	31/2 - 5	3/8	5/8	1/4 FL NUT
041436-02	HCAE-5-ZX200	31/2 - 5	Aeroquip fitting	Aeroquip fitting	1/4 FL NUT
040770-01	HCAE-5-ZX200A	31/2 - 5	Chatliff fitting	Chatliff fitting	1/4 FL NUT

PARKER - EC AND ECE SERIES - THERMOSTATIC EXPANSION VALVES



The EC Series features extended ODF solder connections, brass body, and balanced port design. The new stainless steel power element makes it suited for both refrigeration and air conditioning applications. Rainbow Charges™ are indicated in the chart below for medium temperature “W” charges, low temperature “Z” charges or MOP “X” charge for those applications.

APPLICATIONS:

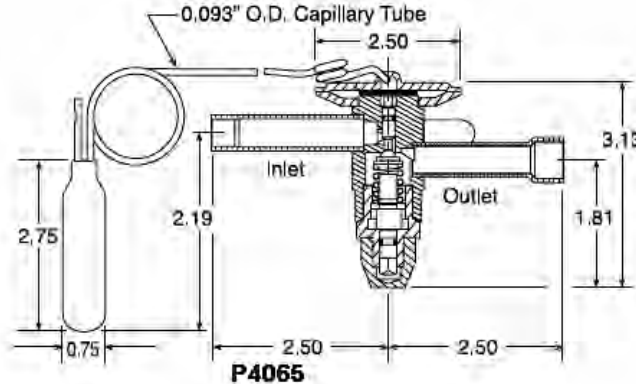
- Small Chillers
- Heat Pump Units
- Air Conditioning Units
- Freezers
- Walk-in Boxes
- Refrigerated Cases
- Mobile Refrigeration

FEATURES:

- Extended ODF connections
- Balanced port design
- 30 inch capillary tube with shock loop
- Stainless steel power element
- Field adjustable superheat
- 1/4 inch ODF external equalizer
- Rainbow charges available
- Weight: 1.0 lbs/0.45 kg

PARKER - THERMOSTATIC EXPANSION VALVES

EC Series



EC Series

Refrigerant	Refrigerant designation	Orifice designation	Capacity range	Internally equalized	External equalized	Rainbow charges™	Inlet connection	Outlet connection (optional)	Equalizer connection
R-12 R-134a R-401A R-401B	J	AA A B C	1/8 -1/2 1/4 -1 1-2 1-1/2 -3	EC-AA-J EC-A-J EC-B-J EC-C-J	ECE-AA-J ECE-A-J ECE-B-J ECE-C-J	W, X60	3/8" ODF	1/2" ODF (5/8" ODF)	1/4" ODF
R-402A R-402B R-404A R-502 R-507	S	AA A B C	1/8 -1/2 1/4 -1 1-2 1-1/2 -4	EC-AA-S EC-A-S EC-B-S EC-C-S	ECE-AA-S ECE-A-S ECE-B-S ECE-C-S	W, Z, X110 X35	3/8" ODF	1/2" ODF (5/8" ODF)	1/4" ODF
R-22 R-407C	V	AA A B C	1/5 -3/4 1/2 -1-1/2 1-1/2 -3 3-1/2 -5	EC-AA-V EC-A-V EC-B-V EC-C-V	ECE-AA-V ECE-A-V ECE-B-V ECE-C-V	W, Z, X100 X35	3/8" ODF	1/2" ODF (5/8" ODF)	1/4" ODF

NOTES:

1. Maximum operational pressure 500 psig (35 bars) high side and 275 psig (19 bars) low side.
2. Maximum storage temperature 130° F (55° C).
3. Consult Parker for pressure and temperature exceptions.
4. Do not use “W” or “Z” liquid charges in applications where bulb temperatures can exceed 130° F (55° C). For these applications use type “X” MOP gas charge only.

Refrigeration PARKER - EC AND ECE SERIES - THERMOSTATIC EXPANSION VALVES

R-12, R-134a, R-401A, R-401B

PART NO	MODEL NO	NOMINAL TONS	INLET (in ODF)	OUTLET (in ODF)	EQUALIZER (in)
040311-01	EC-AA-JW	1/8 - 1/2	1/4	1/2	--
040296-01	EC-A-JW	1/4 -1	3/8	1/2	--
040358-02	EC-A-JX60	1/4 -1	3/8	1/2	--
040297-01	ECE-A-JW	1/4 -1	3/8	1/2	1/4
040314-01	ECE-B-JW	1 -2	1/2	5/8	1/4
040298-01	EC-C-JW	11/2 -3	1/2	7/8	--
040299-05	ECE-C-JW	11/2 -3	3/8	5/8	1/4
040432-01	ECE-C-JW	11/2 -3	1/2	5/8	1/4
040299-01	ECE-C-JW	11/2 -3	1/2	7/8	1/4
040299-03	ECE-D-JW	31/2 -5	5/8	7/8	1/4
040299-04	ECE-D-JX60	31/2 -5	5/8	7/8	1/4

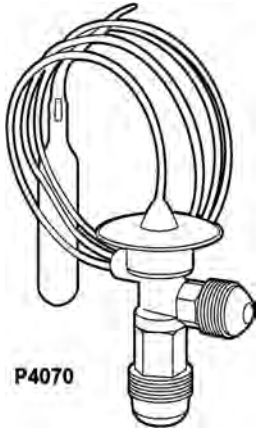
R-22, R-407C

PART NO	MODEL NO	NOMINAL TONS	INLET (in ODF)	OUTLET (in ODF)	EQUALIZER (in)
040367-01	EC-AA-VW	1/5 - 3/4	1/4	1/2	--
040368-01	ECE-AA-VW	1/5 - 3/4	1/4	1/2	1/4
040349-05	ECE-AA-VW	1/5 - 3/4	1/4	1/2	1/4
040368-04	ECE-AA-VX100	1/5 - 3/4	1/4	1/2	1/4
040349-07	ECE-AA-VZ	1/5 - 3/4	1/4	1/2	1/4
040350-05	ECE-A-VW	1/2 - 11/2	3/8	1/2	1/4
040246-10	ECE-A-VX100	1/2 - 11/2	3/8	1/2	1/4
040350-07	ECE-A-VZ	1/2 - 11/2	3/8	1/2	1/4
040351-05	ECE-B-VW	11/2 -3	3/8	1/2	1/4
040374-01	ECE-B-VW	11/2 -3	1/2	5/8	1/4
040351-07	ECE-B-VZ	11/2 -3	3/8	1/2	1/4
040374-02	ECE-B-VX35	11/2 -3	1/2	5/8	1/4
040206-35	ECE-B-VX100	11/2 -3	3/8	1/2	1/4
040374-06	ECE-B-VX100	11/2 -3	3/8	5/8	1/4
040374-07	ECE-B-VX100	11/2 -3	1/2	5/8	1/4
040374-04	ECE-B-VX100	11/2 -3	1/2	5/8	1/4
040206-05	ECE-C-VW	31/2 -5	1/2	7/8	1/4
040206-06	ECE-C-VX35	31/2 -5	1/2	7/8	1/4
040206-33	ECE-C-VX100	31/2 -5	3/8	1/2	1/4
040206-21	ECE-C-VX100	31/2 -5	3/8	5/8	1/4
040206-44	ECE-C-VX100	31/2 -5	1/2	5/8	1/4
040206-22	ECE-C-VX100	31/2 -5	1/2	7/8	1/4
040206-28	ECE-C-VX100	31/2 -5	5/8	7/8	1/4
040262-01	ECE-C-VX100B15	31/2 -5	1/2	5/8	1/4
040206-46	ECE-D-VW	51/2 -71/2	5/8	7/8	1/4
040206-16	ECE-D-VX100	51/2 -71/2	1/2	7/8	1/4
040206-20	ECE-D-VX100	51/2 -71/2	5/8	7/8	1/4
040262-02	ECE-D-VX100B15	51/2 -71/2	5/8	7/8	1/4

R-402A, R-402B, R-404A, R-502, R-507

PART NO	MODEL NO	NOMINAL TONS	INLET (in ODF)	OUTLET (in ODF)	EQUALIZER (in)
040315-01	EC-AA-SW	1/8 - 1/2	1/4	1/2	
040315-02	EC-AA-SX35	1/8 - 1/2	1/4	1/2	
040361-03	EC-AA-SZ	1/8 - 1/2	1/4	1/2	
040316-01	ECE-AA-SW	1/8 - 1/2	1/4	1/2	1/4
040316-02	ECE-AA-SX35	1/8 - 1/2	1/4	1/2	1/4
040317-01	EC-A-SW	1/4 - 1	3/8	1/2	
040317-02	EC-A-SX35	1/4 - 1	3/8	1/2	
040362-03	EC-A-SZ	1/4 - 1	3/8	1/2	
040318-01	ECE-A-SW	1/4 - 1	3/8	1/2	1/4
040362-05	ECE-A-SW	1/4 - 1	3/8	1/2	1/4
040318-02	ECE-A-SX35	1/4 - 1	3/8	1/2	1/4
040363-05	ECE-B-SW	1 - 2	3/8	1/2	1/4
040320-02	ECE-B-SX35	1 - 2	3/8	1/2	1/4
040363-07	ECE-B-SZ	1 - 2	3/8	1/2	1/4
040320-01	ECE-C-SW	11/2 - 4	1/2	5/8	1/4
040322-01	ECE-C-SW	11/2 - 4	1/2	7/8	1/4
040364-07	ECE-C-SZ	11/2 - 4	3/8	1/2	1/4
040322-04	ECE-C-SX110	11/2 - 4	1/2	7/8	1/4
040322-05	ECE-D-SW	41/2 - 6	5/8	7/8	1/4
040322-07	ECE-D-SZ	41/2 - 6	5/8	7/8	1/4

PARKER - N AND NE SERIES - THERMOSTATIC EXPANSION VALVES



This small flare brass valve series is ideally suited where space is at a premium. Its stainless steel power element and compact body has always made it the first choice for installation in commercial refrigeration systems. External equalized models are provided with a 30" capillary and 1/4" SAE flare nut, eliminating the need to run a separate equalizer line. Medium, low & MOP (X) charges are available as noted below.

Applications:

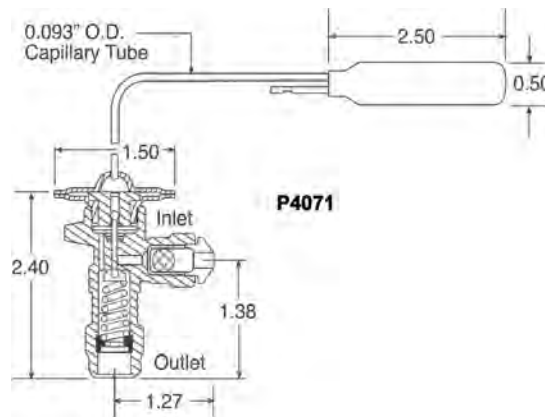
- Low Profile Coolers
- Beverage Dispensers
- Beverage Boxes
- Small Chillers
- Ice Machines
- Small Freezers

Features:

- Compact body
- Removable inlet screen
- Factory set superheat
- Accurate and stable control
- Right angle configuration
- 30" capillary tube
- Weight: 5.0 oz/ 14 kg

PARKER - THERMOSTATIC EXPANSION VALVES

N Series



N SERIES

Refrigerant	Refrigerant designation	Nominal capacity	Capacity range	Internally equalized	Externally equalized	Rainbow charges™	Inlet connection	Outlet connection
R-12 R-134a R-401A R-401B	J	1/4 1/2 2	1/4 -1/2 1/4 -3/4 1-2	N1/4 J N1/2 J N2J	NE 2 J	W, X60	1/4" SAE 1/4" SAE 3/8" SAE	1/2" SAE
R-402A R-402B R-404A R-502 R-507	S	1/4 1/2 2	1/4 -1/2 1/4 -3/4 1-2	N1/4 S N1/2 S N2S	NE 2 S	W, Z, X110 X35	1/4" SAE 1/4" & 3/8" SAE 3/8" SAE	1/2" SAE
R-22 R-407C	V	1/4 1/2 1 3	1/4 -1/2 1/4 -3/4 1/2 -1 1-1/2 -3	N 1/4 V N 1/2 V N 1 V N 3 V	NE 3 V	W, Z, X100 X35	1/4" SAE 1/4" or 3/8" SAE 3/8" SAE	1/2" SAE

NOTES:

1. Maximum operational pressure 500 psig (35 bars) high side and 275 psig (19 bars) low side.
2. Maximum storage temperature 130° F (55° C).
3. Consult Parker for pressure and temperature exceptions.
4. Do not use "W" or "Z" liquid charges in applications where bulb temperatures can exceed 130° F (55° C). For these applications use type "X" MOP gas charge only.

Refrigeration

PARKER - N AND NE - THERMOSTATIC EXPANSION VALVES

R-12 R-134a, R-401A, R-401B

THERMOSTATIC EXPANSION VALVES N & NE Series

Refrigerants R-12, R-134A, R-401A, R-401B

Part Number	Model Number	Nominal Tons	Inlet (inches)	Outlet (inches)	Equalizer
040293-01	N-1/2-JW	1/4 - 3/4	1/4 SAE	1/2 SAE	Internal
040293-03	N-1/2-JW	1/4 - 3/4	3/8 SAE	1/2 SAE	Internal
040293-04	N-1/2-JX60	1/4 - 3/4	3/8 SAE	1/2 SAE	Internal
040279-01	N-1-JW	1/2 - 1	3/8 SAE	1/2 SAE	Internal
040294-01	N-2-JW	1 - 2	3/8 SAE	1/2 SAE	Internal
040294-02	N-2-JX60	1 - 2	3/8 SAE	1/2 SAE	Internal
040303-01	NE-2-JW	1 - 2	3/8 SAE	1/2 SAE	External

Refrigerants R-22, R-407A

Part Number	Model Number	Nominal Tons	Inlet (inches)	Outlet (inches)	Equalizer
040077-07	N-1/4-VW	1/4 - 1/2	1/4 SAE	1/2 SAE	Internal
040270-01	N-1/2-VW	1/4 - 3/4	1/4 SAE	1/2 SAE	Internal
040077-08	N-1-VW	1/2 - 1	1/4 SAE	1/2 SAE	Internal
040077-06	N-1-VW	1/2 - 1	3/8 SAE	1/2 SAE	Internal
040077-01	N-1-VX100	1/2 - 1	3/8 SAE	1/2 SAE	Internal
040084-01	NE-2-VX100	1 - 2	3/8 SAE	1/2 SAE	External
031119-01	N-3-VX100B10	1 1/2 - 3	3/8 SAE	1/2 SAE	Internal

Refrigerants R-402A, R-402B, R-404A, R-502, R-507

Part Number	Model Number	Nominal Tons	Inlet (inches)	Outlet (inches)	Equalizer
040326-05	N-1/2-SW	1/4 - 3/4	1/4 SAE	1/2 SAE	Internal
040326-01	N-1/2-SW	1/4 - 3/4	3/8 SAE	1/2 SAE	Internal
040326-03	N-1/2-SZ	1/4 - 3/4	3/8 SAE	1/2 SAE	Internal
040327-01	N-2-SW	1 - 2	3/8 SAE	1/2 SAE	Internal
040328-01	NE-2-SW	1 - 2	3/8 SAE	1/2 SAE	External

Compressors,
Chillers, Condensers

Motors

Electrical

Heating
Components

Indoor Air
Quality

Thermostats

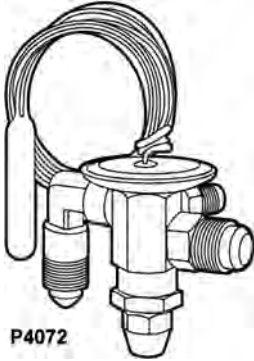
Oils &
Chemicals

Accessories, Supplies
& Commodities

Tools &
Instruments

Refrigeration

PARKER - C AND CE SERIES - THERMOSTATIC EXPANSION VALVES



The C Series incorporates a brass body with SAE flare fittings using balanced port construction, allowing operation over varying load conditions. Designed for use on small refrigeration and or air conditioning systems, the external equalized models are provided with a 1/4 inch SAE male connection. The new stainless steel power element and shock loop provides added benefits to all installations. A variety of Rainbow Charges™ add further flexibility for operation and selection.

APPLICATIONS:

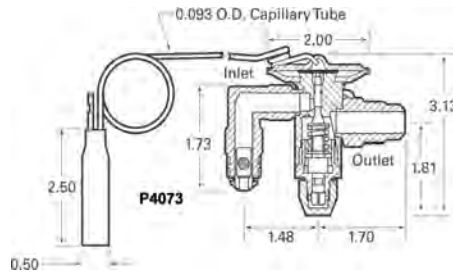
- Small Refrigeration Systems
- Slush Machines
- Air Conditioning Units
- Freezers
- Walk-in Coolers
- Refrigerated Cases
- Rail & Transport Refrigeration

FEATURES:

- Balanced port
- Stainless steel power element
- Inlet strainer
- 30" capillary tube with shock loop
- Field adjustable superheat
- 1/4" SAE external equalizer
- Weight: 1.0 lbs/0.45 kg

PARKER - THERMOSTATIC EXPANSION VALVES

C Series



C SERIES

REFRIGERANT	REFRIGERANT DESIGNATION	ORIFICE DESIGNATION	CAPACITY RANGE	INTERNALLY EQUALIZED	EXTERNALLY EQUALIZED	RAINBOW CHARGES™	INLET CONNECTION	OUTLET CONNECTION	EQUALIZER CONNECTION
R-12 R-134a R-401A R-401B	J	AA A B C	1/8 - 1/2 1/4 - 1 1 - 2 1-1/2 - 3	C-AA-J C-A-J C-B-J C-C-J	CE-AA-J CE-A-J CE-B-J CE-C-J	W, X60	1/4" SAE (3/8" optional) 3/8" SAE	1/2" SAE	1/4" SAE
R-402A R-402B R-404A R-502 R-507	S	AA A B C	1/8 -1/2 1/4 - 1 1 - 2 1-1/2 - 4	C-AA-S C-A-S C-B-S C-C-S	CE-AA-S CE-A-S CE-B-S CE-C-S	W, Z, X110 X-35	1/4" SAE (3/8" optional) 3/8" SAE	1/2" SAE	1/4" SAE
R-22 R-407C	V	AA A B C	1/5 - 3/4 1/2 - 1-1/2 1-1/2 - 3 3-1/2 - 5	C-AA-V C-A-V C-B-V C-C-V	CE-AA-V CE-A-V CE-B-V CE-C-V	W, Z, X100 X-35	1/4" SAE (3/8" optional) 3/8" SAE	1/2" SAE	1/2" SAE

NOTES:

1. Maximum operational pressure 500 psig (35 bars) high side and 275 psig (19 bars) low side.
2. Maximum storage temperature 130° F (55° C).
3. Consult Parker for pressure and temperature exceptions.
4. Do not use "W" or "Z" liquid charges in applications where bulb temperatures can exceed 130° F (55° C). For these applications use type "X" MOP gas charge only.

Refrigeration

PARKER - C AND CE SERIES - THERMOSTATIC EXPANSION VALVES

R-12, R-134a, R-401A, R-401B

PART NO	MODEL NO	NOMINAL TONS	INLET (in ODF)	OUTLET (in ODF)	EQUALIZER (in)
040329-01*	C-AA-JW	1/8 - 1/2	1/4	1/2	--
040329-02*	C-AA-JX60	1/8 - 1/2	1/4	1/2	--
040330-01*	CE-AA-JW	1/8 - 1/2	1/4	1/2	1/4
040330-02	CE-AA-JX60	1/8 - 1/2	1/4	1/2	1/4
040281-01*	C-A-JW	1/4 - 1	3/8	1/2	--
040281-02	C-A-JX60	1/4 - 1	3/8	1/2	--
040282-01*	CE-A-JW	1/4 - 1	3/8	1/2	1/4
040282-02*	CE-A-JX60	1/4 - 1	3/8	1/2	1/4
040331-01*	C-B-JW	1 - 2	3/8	1/2	--
040331-02	C-B-JX60	1 - 2	3/8	1/2	--
040332-01*	CE-B-JW	1 - 2	3/8	1/2	1/4
040332-02*	CE-B-JX60	1 - 2	3/8	1/2	1/4
040295-01*	C-C-JW	1-1/2 - 3	3/8	1/2	--
040295-02*	C-C-JX60	1-1/2 - 3	3/8	1/2	--
040283-01*	CE-C-JW	1-1/2 - 3	3/8	1/2	1/4
040283-02*	CE-C-JX60	1-1/2 - 3	3/8	1/2	1/4

R-22, R-407C

PART NO	MODEL NO	NOMINAL TONS	INLET (in ODF)	OUTLET (in ODF)	EQUALIZER (in)
040289-01*	C-AA-VW	1/5 - 3/4	1/4	1/2	--
040289-02	C-AA-VX35	1/5 - 3/4	1/4	1/2	--
040289-05*	C-AA-VZ	1/5 - 3/4	1/4	1/2	--
040289-04*	C-AA-VX100	1/5 - 3/4	1/4	1/2	--
040290-01*	CE-AA-VW	1/5 - 3/4	1/4	1/2	1/4
040290-02*	CE-AA-VX35	1/5 - 3/4	1/4	1/2	1/4
040290-05	CE-AA-VZ	1/5 - 3/4	1/4	1/2	1/4
040290-04*	CE-AA-VX100	1/5 - 3/4	1/4	1/2	1/4
040241-01*	C-A-VW	1/2 - 1-1/2	3/8	1/2	--
040241-02*	C-A-VX35	1/2 - 1-1/2	3/8	1/2	--
040241-03*	C-A-VX65	1/2 - 1-1/2	3/8	1/2	--
040241-05	C-A-VZ	1/2 - 1-1/2	3/8	1/2	--
040241-04*	C-A-VX100	1/2 - 1-1/2	3/8	1/2	--
040242-01*	CE-A-VW	1/2 - 1-1/2	3/8	1/2	1/4
040242-02*	CE-A-VX35	1/2 - 1-1/2	3/8	1/2	1/4
040242-05	CE-A-VZ	1/2 - 1-1/2	3/8	1/2	1/4
040242-04*	CE-A-VX100	1/2 - 1-1/2	3/8	1/2	1/4
040379-01*	C-B-VW	--	3/8	1/2	--
040379-02	C-B-VX35	--	3/8	1/2	--
040379-05	C-B-VZ	--	3/8	1/2	--
040379-04*	C-B-VX100	--	3/8	1/2	--
040380-01*	CE-B-VW	--	3/8	1/2	1/4
040380-02*	CE-B-VX35	--	3/8	1/2	1/4
040380-05	CE-B-VZ	--	3/8	1/2	1/4
040380-04*	CE-B-VX100	--	3/8	1/2	1/4
040222-06*	C-C-VW	3-1/2 - 5	3/8	1/2	--
040222-02	C-C-VX35	3-1/2 - 5	3/8	1/2	--
040222-05	C-C-VZ	3-1/2 - 5	3/8	1/2	--
040222-04*	C-C-VX100	3-1/2 - 5	3/8	1/2	--
040223-06*	CE-C-VW	3-1/2 - 5	3/8	1/2	1/4
040223-02	CE-C-VX35	3-1/2 - 5	3/8	1/2	1/4
040223-05	CE-C-VZ	3-1/2 - 5	3/8	1/2	1/4
040223-04*	CE-C-VX100	3-1/2 - 5	3/8	1/2	1/4

*Normally stocked items. All others are special order and require a 4-week delivery.

Compressors,
Chillers, Condensers

Motors

Electrical

Heating
Components

Indoor Air
Quality

Thermostats

Oils &
Chemicals

Accessories, Supplies
& Commodities

Tools &
Instruments

Refrigeration

Refrigeration

Refrigeration
 Tools & Instruments
 Accessories, Supplies & Commodities
 Oils & Chemicals
 Thermostats
 Indoor Air Quality
 Heating Components
 Electrical
 Motors
 Compressors, Chillers, Condensers

PARKER - C AND CE SERIES - THERMOSTATIC EXPANSION VALVES

R-402A, R-402B, R-404A, R-502, R-507

PART NO	MODEL NO	NOMINAL TONS	INLET (in ODF)	OUTLET (in ODF)	EQUALIZER (in)
040333-01	C-AA-SW	1/8 - 1/2	1/4	1/2	--
040333-02*	C-AA-SX35	1/8 - 1/2	1/4	1/2	--
040333-03	C-AA-SZ	1/8 - 1/2	1/4	1/2	--
040333-04	C-AA-SX110	1/8 - 1/2	1/4	1/2	--
040334-01*	CE-AA-SW	1/8 - 1/2	1/4	1/2	1/4
040334-02*	CE-AA-SX35	1/8 - 1/2	1/4	1/2	1/4
040334-03*	CE-AA-SZ	1/8 - 1/2	1/4	1/2	1/4
040334-04	CE-AA-SX110	1/8 - 1/2	1/4	1/2	1/4
040335-01*	C-A-SW	1/4 - 1	3/8	1/2	--
040335-02*	C-A-SX35	1/4 - 1	3/8	1/2	--
040335-03	C-A-SZ	1/4 - 1	3/8	1/2	--
040335-04	C-A-SX110	1/4 - 1	3/8	1/2	--
040336-01*	CE-A-SW	1/4 - 1	3/8	1/2	1/4
040336-02*	CE-A-SX35	1/4 - 1	3/8	1/2	1/4
040336-03	CE-A-SZ	1/4 - 1	3/8	1/2	1/4
040336-04	CE-A-SX110	1/4 - 1	3/8	1/2	1/4
040337-01*	C-B-SW	1 - 2	3/8	1/2	--
040337-02	C-B-SX35	1 - 2	3/8	1/2	--
040337-03	C-B-SZ	1 - 2	3/8	1/2	--
040337-04	C-B-SX110	1 - 2	3/8	1/2	--
040338-01*	CE-B-SW	1 - 2	3/8	1/2	1/4
040338-02*	CE-B-SX35	1 - 2	3/8	1/2	1/4
040338-03*	CE-B-SZ	1 - 2	3/8	1/2	1/4
040338-04	CE-B-SX110	1 - 2	3/8	1/2	1/4
040339-01*	C-C-SW	1-1/2 - 4	3/8	1/2	--
040339-02	C-C-SX35	1-1/2 - 4	3/8	1/2	--
040339-03*	C-C-SZ	1-1/2 - 4	3/8	1/2	--
040339-04	C-C-SX110	1-1/2 - 4	3/8	1/2	--
040340-01*	CE-C-SW	1-1/2 - 4	3/8	1/2	1/4
040340-02*	CE-C-SX35	1-1/2 - 4	3/8	1/2	1/4
040340-03*	CE-C-SZ	1-1/2 - 4	3/8	1/2	1/4
040340-04*	CE-C-SX110	1-1/2 - 4	3/8	1/2	1/4

*Normally stocked items. All others are special order and require a 4-week delivery.