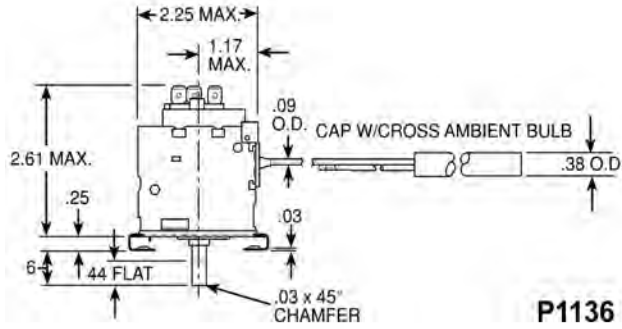


RANCO® DEFROST TERMINATION/FAN DELAY CONTROLS

The F25 control terminates defrost and delays the evaporator fan operation on electric heat, hot gas, and reverse cycle commercial refrigeration systems.



P1136

MODEL SELECTION CHART

PART NO	SWITCH	FAN "ON" TEMPERATURE (°F)	DEFROST TERMINATION (°F)	SENSING ELEMENT STYLE
RAN-F25-107	SPDT	20 Fixed	40 to 75 Adjustable	60" Capillary with 3/8" x 4" Cross Ambient Bulb
RAN-F25-114	SPDT	24 Fixed	44 to 79 Adjustable	60" Capillary with 3/8" x 4" Cross Ambient Bulb

RANCO® ADAPTABLE REPLACEMENT CYCLING CONTROLS FOR ROOM AIR CONDITIONERS

Adaptable control to replace OEM controls which govern the ON/OFF compressor function. Includes break-off shaft, dial knob, and mounting bracket.



P1137

PART NO	DIAL RANGE (°F)	DIFFERENTIAL (°F)	SWITCH	SENSING ELEMENT Capillary		POPULAR APPLICATIONS
				Length (in)	Type & Bulb Size	
RAN-A30 x 450	58 to 89	5	SPST	--	Air Coil	--
RAN-A30 x 451	58 to 86	5	SPST	36	Straight	GE WJ28 x 500 GE WJ28 x 512
RAN-A30 x 452	58 to 89	5	SPST	39	3/8" x 4" Cross Ambient	GE WJ28 x 502
RAN-A30 x 453	58 to 85	5	SPST	18	Straight	Whirlpool 485760 Frigidare 8006445
RAN-A22-2451	45 to 81	5	SPDT	27	Straight	GE WJ28 x 504
RAN-A22-2453	59 to 90	6	SPDT	39	3/8" x 4" Cross Ambient	GE WJ28 x 505
RAN-A30-2311	Fixed Setting Closes @ 60°F Opens @ 30°F	30	SPST	30	Straight	Evaporator De-Ice Control

"X" Version rated at 30 FLA at 120/240V.

RANCO® AIR CONDITIONER LOW AMBIENT THERMOSTAT



P1138

The A30-X204 Low Ambient Temperature Cutout Control has an adjustable range from 50° to 60°F. It is designed for field installation on central and unitary air conditioning systems that are not factory equipped to operate at low ambient temperatures. The A30 Control opens the compressor contactor circuit to prevent possible flood-back damage during cold weather operation when temperatures fall to or below the control set-point. When the outdoor ambient temperature rises 5°F above the control set point, the low ambient control switch closes, completing the circuit to allow normal compressor operation.

PART NO	CUTOUT RANGE (°F)	DIFFERENTIAL (°F)	SWITCH	SENSING ELEMENT STYLE
RAN-A30-X-204	50 to 65	6	SPST	24" Capillary