

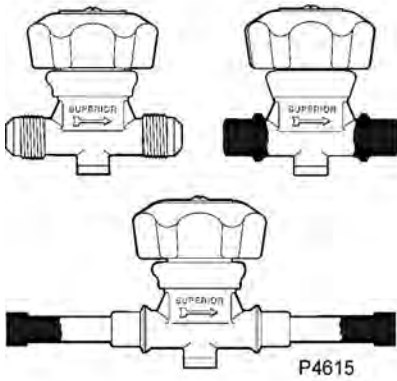
Refrigeration

Compressors, Chillers, Condensers
 Motors
 Electrical
 Heating Components
 Indoor Air Quality
 Thermostats
 Oils & Chemicals
 Accessories, Supplies & Commodities
 Tools & Instruments
 Refrigeration

SUPERIOR - LINE VALVES — Diaphragm Packless Valves

“Tuffy” Line Valves

“Tuffy” Standard



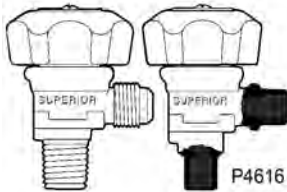
PART NO	SIZE (in)				WEIGHT (lb)
	Inlet SAE	Outlet SAE	Inlet ODS	Outlet ODS	
214-4	1/4	1/4	--	--	0.50
214-6	3/8	3/8	--	--	0.50
215-8	1/2	1/2	--	--	1.00
216-10	5/8	5/8	--	--	1.00
214-4S	--	--	1/4	1/4	0.50
214-6S	--	--	3/8	3/8	0.50
215-8S	--	--	1/2	1/2	1.00
216-10S	--	--	5/8	5/8	1.00

“Tuffy” With Tube Exts.

PART NO	SIZE (in)		WEIGHT (lb)
	Inlet ODS	Outlet ODS	
214-4ST	1/4	1/4	0.75
214-6ST	3/8	3/8	0.75
215-8ST	1/2	1/2	1.25
216-10ST	5/8	5/8	1.25

“Tuffy” Angle Valves

“Tuffy” Angle



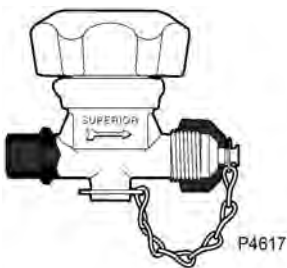
PART NO	SIZE (in)		WEIGHT (lb)
	Outlet SAE	Inlet NPT	
114-4B	1/4	1/4	0.50
114-6B	3/8	1/4	0.50

“Tuffy” Angle-Solder

PART NO	SIZE (in)		WEIGHT (lb)
	Inlet ODS	Outlet ODS	
115-8S	1/2	1/2	1.00
114-6S	3/8	3/8	.50

“Tuffy” Purge and Drain Valves

“Tuffy” Purge and Drain



PART NO	SIZE (in)	
	Outlet SAE	Inlet ODS
234A-4	1/4	1/4
234A-6	3/8	3/8

Refrigeration

SUPERIOR - LINE VALVES — Diaphragm Packless Valves

“Tuffy” Charging Valves

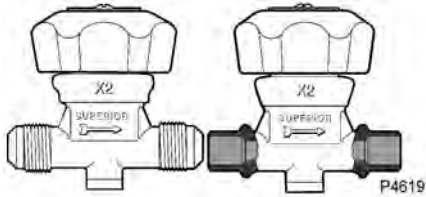
“Tuffy” Charging



P4618

PART NO	SIZE (in)		WEIGHT (lb)
	Inlet ODS	Outlet ODS	
214X7-4S	1/4	1/4	0.50
216X7-10S	5/8	5/8	1.00

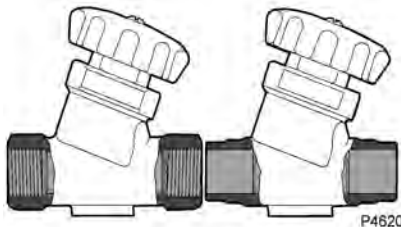
“Tuffy” X2 Line Valve with “Sealzall” Moisture Seal



P4619

PART NO	SIZE (in)				WEIGHT (lb)
	Inlet SAE	Outlet SAE	Inlet ODS	Outlet ODS	
214X2-4	1/4	1/4	--	--	0.50
214X2-4S	--	--	1/4	1/4	0.50
214X2-6S	--	--	3/8	3/8	0.50

Diaphragm Packless Globe Valves



P4620

PART NO	SIZE (in)				WEIGHT (lb)
	Outlet FPT	Inlet ODS	Outlet ODS	Inlet FPT	
217-N	3/4	--	--	3/4	2.25
217-14S	--	7/8	7/8	--	1.75

Compressors,
Chillers, Condensers

Motors

Electrical

Heating
Components

Indoor Air
Quality

Thermostats

Oils &
Chemicals

Accessories, Supplies
& Commodities

Tools &
Instruments

Refrigeration