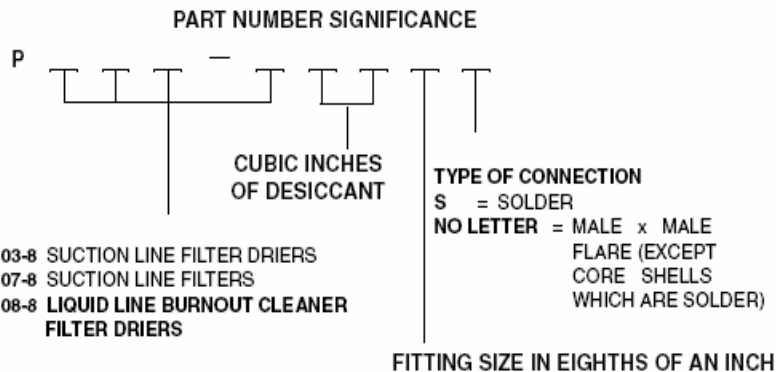
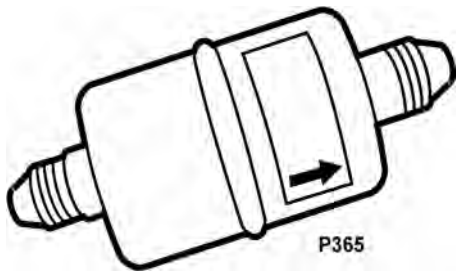


TOTALINE® LIQUID LINE BURNOUT FILTER DRIERS — P508 SERIES

PHYSICAL DATA



APPLICATION

The P508 series liquid line filter drier was designed for maximum effectiveness in the cleanup of systems following a severe burnout where a maximum capacity for water and acids is essential. This series utilizes a molded block of activated alumina, molecular sieve, and activated carbon. This blend of activated alumina and activated carbon will remove the acids and products of a compressor burnout.

FEATURES

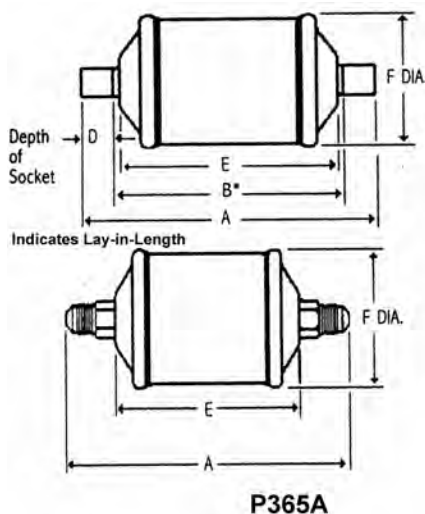
- Solid Copper Fittings
- Corrosion Resistant Epoxy Powder Paint Finish
- Rugged Steel Shell (Shock Resistant)
- Wax Control for Low Temperature Applications
- Extra Moisture and Acid Removal Capacity

SPECIFICATIONS

- Filtration: 40 microns
- Maximum Working Pressure: 680 psig
- UL/CUL File# SA3124



DIMENSIONAL DATA



TOTALINE LIQUID LINE BURNOUT FILTER DRIER PHYSICAL DATA

PART NO	DIMENSIONS						Ship Wt (Lbs)
	Connection Size	A	B	D	E	F*	
P508-8082	1/4 SAE	5-5/8	—	—	3-15/16	2-15/16	1
P508-8083	3/8 SAE	5-15/16	—	—	3-15/16	2-15/16	
P508-8162	1/4 SAE	6-7/16	—	—	3-15/16	2-15/16	
P508-8163	3/8 SAE	6-3/4	—	—	3-15/16	2-15/16	2
P508-8163S	3/8 ODF	6-1/8	5-1/4	7/16	4-5/8	2-7/8	
P508-8164	1/2 SAE	6-15/16	—	—	4-5/8	2-7/8	
P508-8164S	1/2 ODF	6-3/16	5-3/16	1/2	4-5/8	2-7/8	3-3/4
P508-8165	5/8 SAE	7-7/16	—	—	4-5/8	2-7/8	
P508-8165S	5/8 ODF	6-3/8	5-1/8	5/8	7-1/2	3-1/16	
P508-8303	3/8 SAE	9-5/8	—	—	7-1/2	3-1/16	4-3/4
P508-8304	1/2 SAE	9-7/8	—	—	7-1/2	3-1/16	
P508-8304S	1/2 ODF	9-1/8	8-1/8	1/2	7-1/2	3-1/16	
P508-8305	5/8 SAE	10-5/16	—	—	7-1/2	3-1/16	4-3/4
P508-8305S	5/8 ODF	9-5/16	8-1/16	5/8	7-1/2	3-1/16	
P508-8415	5/8 SAE	9-1/4	8-1/4	1/2	7-5/8	3-11/16	
P508-8417S	7/8 ODF	10-7/16	—	—	7-5/8	3-11/16	

*Does not include weld bead.

TOTALINE® LIQUID LINE BURNOUT FILTER DRIERS — P508 SERIES CAPACITY TABLE

PART NO	CONNECTION SIZE & TYPE	FLOW CAPACITY TONS @ 1 psi ΔP (For kW, multiply tons by 3.5)								WATER CAPACITY DROPS OF WATER												
		R-12		R-134a		R-22		R-410A		R-407C		R-404A/507		R-502								
		75° F	125° F	75° F	125° F	75° F	125° F	75° F	125° F	75° F	125° F	75° F	125° F	75° F	125° F							
P508-8082	1/4 SAE	1.2	1.5	1.6	1.6	1.6	1.1	1.0	180	118	88	71	78	59	74	45	66	38	93	71	109	79
P508-8083	3/8 SAE	3.2	3.9	4.2	4.2	4.1	2.8	2.7														
P508-8162	1/4 SAE	1.2	1.5	1.6	1.6	1.6	1.1	1.0	209	143	171	141	153	117	91	56	77	41	182	141	135	100
P508-8163	3/8 SAE	3.6	4.3	4.7	4.7	4.6	3.1	3.1														
P508-8163S	3/8 ODF	4.8	5.8	6.3	6.3	6.2	4.2	4.1														
P508-8164	1/2 SAE	7.0	8.6	9.3	9.3	9.1	6.2	6.0														
P508-8164S	1/2 ODF	8.4	10.2	11.1	11.1	10.9	7.4	7.2														
P508-8165	5/8 SAE	10.5	12.8	13.9	13.9	13.6	9.3	9.0														
P508-8165S	5/8 ODF	10.5	12.8	13.9	13.9	13.6	9.3	9.0														
P508-8303	3/8 SAE	3.6	4.3	4.7	4.7	4.6	3.1	3.1														
P508-8304	1/2 SAE	8.1	9.9	10.7	11.7	10.5	7.2	7.0	552	367	300	245	267	204	234	146	160	94	318	247	342	249
P508-8304S	1/2 ODF	8.9	10.8	11.7	14.6	11.5	7.8	7.6														
P508-8305	5/8 SAE	11.1	13.5	14.6	15.8	14.3	9.8	9.5	623	410	427	344	379	282	256	155	220	125	454	342	380	274
P508-8305S	5/8 ODF	12.0	14.6	15.8	11.1	15.5	10.6	10.3														
P508-8415	5/8 SAE	13.4	16.3	17.7	21.5	17.4	11.8	11.5	623	410	427	344	379	282	256	155	220	125	454	342	380	274
P508-8417S	7/8 ODF	16.3	19.8	21.5	21.5	21.1	14.4	14.0														

LIQUID REFRIGERANT HOLDING CAPACITY - OUNCES

Unit Size	R-12		R-134a		R-22		R-407C		R-410A		R-404A/507		R-502	
	75°F	125°F	75°F	125°F	75°F	125°F	75°F	125°F	75°F	125°F	75°F	125°F	75°F	125°F
0 8	7.3	6.6	6.7	6.0	6.6	5.9	6.3	5.5	5.9	4.9	5.8	4.9	6.7	5.9
1 6	13.9	12.7	12.8	11.5	12.6	11.3	12.0	10.5	11.2	9.4	11.1	9.3	12.9	11.3
3 0	21.8	19.9	20.1	18.1	19.8	17.8	18.9	16.6	17.7	14.9	17.4	14.7	20.2	17.7
4 1	29.3	26.8	26.9	24.4	26.6	23.9	25.4	22.3	23.7	20.0	23.3	19.7	27.2	23.8