

## TOTALINE® REPLACEABLE BRASS TAKE-APART SUCTION LINE FILTER DRIER SHELLS — P505-8 SERIES

### TYPE A-F REPLACEABLE FILTER CORES

#### APPLICATION

The P505-8 Series is a suction line, replaceable core filter-drier for suction line services ideal for Commercial Refrigeration Applications.

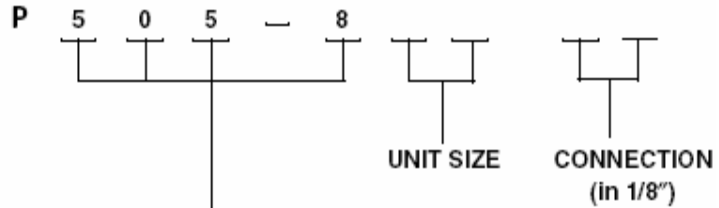
#### FEATURES

- Full flow fittings for low pressure drop.
- Corrosion free brass body
- Can use either filter cartridges or filter drier cartridges
- UL approved (SA3124)

#### SPECIFICATIONS

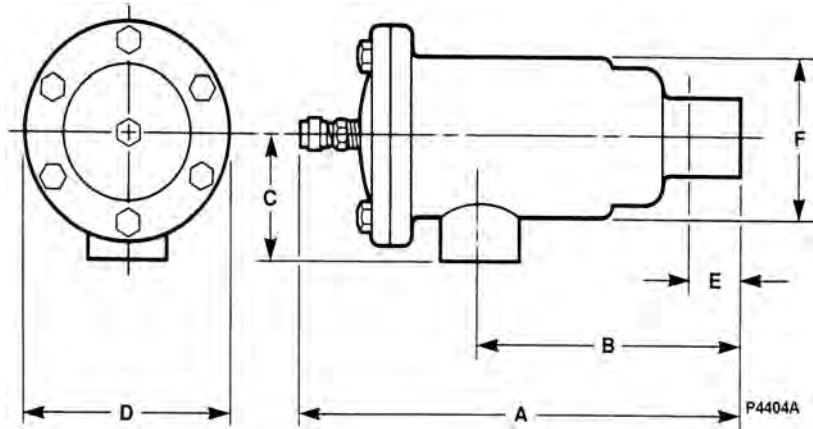
Maximum Working Pressure: 400 PSIG  
 Filtration: 40 Microns

#### PART NUMBER SIGNIFICANCE



505-8 TOTALINE FILTER DRIER SHELLS

#### DIMENSIONAL DATA



#### PHYSICAL DATA TABLE

PART NO	CONNECTION SIZE (in) & TYPE	NOMINAL SHELL SIZE (in)	DIMENSIONS (in)					
			A	B	C	D	E	F
P505-8027	7/8 ODF	2	9-3/4	6-21/32	2-3/16	3-3/4	.750	2-23/32
P505-8039	1-1/8 ODF	3	10-5/16	6-13/16	3-5/16	4-5/8	.910	3-15/32
P505-80311	1-3/8 ODF	3	11-1/16	6-15/16	3-7/16	4-5/8	.970	3-15/32
P505-80313	1-5/8 ODF	3	11-1/4	7-1/8	3-5/8	4-5/8	1.090	3-15/32
P505-80317	2-1/8 ODF	3	11-1/2	7-3/8	3-7/8	4-5/8	1.340	3-15/32
P505-80411	1-3/8 ODF	4	11-13/32	7-13/8	4-1/8	5-3/4	.780	4-15/32
P505-80413	1-5/8 ODF	4	12-1/32	7-13/16	4-1/8	5-3/4	1.090	4-15/32
P505-80417	2-1/8 ODF	4	12-9/32	8-1/16	4-3/8	5-3/4	1.340	4-15/32
P505-80421	2-5/8 ODF	4	12-13/32	8-3/16	4-15/16	5-3/4	1.470	4-15/32
P505-80517	2-1/8 ODF	5	13-7/16	8-13/32	4-3/16	7-3/32	1.340	5-9/16
P505-80521	2-5/8 ODF	5	13-9/16	8-15/32	4-15/16	7-3/32	1.470	5-9/16
P505-80525	3-1/8 ODF	5	13-1/4	8-5/32	4-5/8	7-3/32	1.660	5-9/16

# Refrigeration

## TOTALINE® REPLACEABLE BRASS TAKE-APART SUCTION LINE FILTER DRIER SHELLS — P505-8 SERIES FLOW CAPACITY CHART

P506 SERIES	P505-8 SERIES	CONNECTIONS	FLOW CAPACITY IN TONS REFRIGERANT														
			R-12				R-134a				R-22						
Filter Cartridge, and Filter Drier Cartridge Part No.	Take Apart Shell Part No.		Evaporator Temperature (F)														
			40	20	0	-20	40	20	0	-20	40	20	0	-20	-40		
			Pressure Drop (PSI)														
			2	1.5	1	0.5	2	1.5	1	0.5	3	2	1.5	1	0.5		
P506-802F		5/8 ODF	2.6	1.9	1.3	0.7	2.7	1.9	1.2	0.6	5.1	3.3	2.2	1.4	0.7		
P506-802F	P505-8027	7/8 ODF	4.7	3.4	2.2	1.2	4.8	3.3	2.1	1.1	8.8	5.7	3.9	2.5	1.3		
P506-803F	P505-8039	1-1/8 ODF	7.1	5.1	3.4	1.9	7.3	5	3.2	1.7	14	8.8	5.9	3.7	2		
P506-803F	P505-80311	1-3/8 ODF	7.9	5.6	3.7	2.1	8.1	5.5	3.5	1.9	15	10	6.6	4.1	2.2		
P506-803F	P505-80313	1-5/8 ODF	13	8.9	5.9	3.4	13	8.8	5.6	3	24	16	11	6.6	3.5		
P506-803F	P505-80317	2-1/8 ODF	15	11	7.2	4.2	16	11	6.9	3.7	29	19	13	8.1	4.3		
P506-804F	P505-80411	1-3/8 ODF	20	15	10	5.5	21	14	9.1	4.9	38	25	17	11	5.7		
P506-804F	P505-80413	1-5/8 ODF	17	12	8	4.5	17	12	7.4	4	31	20	14	8.7	4.6		
P506-804F	P505-80417	2-1/8 ODF	28	20	13	7.5	29	20	12	6.7	53	34	23	15	7.8		
P506-804F	P505-80421	2-5/8 ODF	34	24	16	9.1	35	24	15	8.1	64	42	29	18	10		
P506-805F	P505-80517	2-1/8 ODF	33	24	16	9.1	34	24	15	8.1	63	41	28	18	9.4		
P506-805F	P505-80521	2-5/8 ODF	44	32	21	12	45	31	20	11	84	54	37	23	12		
P506-805F	P505-80525	3-1/8 ODF	54	39	25	15	56	38	24	13	103	67	46	29	15		
P506-802FD	P505-8025	5/8 ODF	2.4	1.7	1.2	0.7	2.5	1.7	1.1	0.6	4.6	3	2	1.3	0.7		
P506-802FD	P505-8027	7/8 ODF	4	2.8	1.9	1.1	4.1	2.8	1.8	1	7.5	4.9	3.3	2.1	1.1		
P506-803FD	P505-8039	1-1/8 ODF	5.2	3.7	2.4	1.4	5.3	3.6	2.3	1.2	10	6.3	4.3	2.7	1.4		
P506-803FD	P505-80311	1-3/8 ODF	7.2	5.2	3.4	1.9	7.4	5.1	3.2	1.7	14	8.9	6	3.8	2		
P506-803FD	P505-80313	1-5/8 ODF	10	7.4	4.8	2.8	11	7.3	4.6	2.5	20	13	8.6	5.4	2.9		
P506-803FD	P505-80317	2-1/8 ODF	12	8.5	5.7	3.3	12	8.4	5.4	2.9	23	15	10	6.3	3.4		
P506-804FD	P505-80411	1-3/8 ODF	15	11	7	4.1	15	11	6.7	3.6	28	18	13	7.8	4.2		
P506-804FD	P505-80413	1-5/8 ODF	15	11	7.2	4.2	16	11	6.9	3.7	29	19	13	8.1	4.3		
P506-804FD	P505-80417	2-1/8 ODF	22	16	11	6.1	23	16	10	5.4	43	28	19	12	6.3		
P506-804FD	P505-80421	2-5/8 ODF	23	17	11	6.3	24	16	10	5.6	44	29	19	12	6.5		
P506-805FD	P505-80517	2-1/8 ODF	27	19	13	7.2	28	19	12	6.4	51	33	22	14	7.5		
P506-805FD	P505-80521	2-5/8 ODF	32	23	15	8.8	33	23	14	7.8	61	40	27	17	9		
P506-805FD	P505-80525	3-1/8 ODF	38	27	18	10	39	27	17	9.2	72	47	32	20	11		

Compressors,  
Chillers, Condensers

Motors

Electrical

Heating  
Components

Indoor Air  
Quality

Thermostats

Oils &  
Chemicals

Accessories, Supplies  
& Commodities

Tools &  
Instruments

Refrigeration

## TAKE-A-PART SHELLS

### TOTALINE® FILTER CORES AND FILTER DRIER CARTRIDGES — P506-8 SERIES

#### CROSS REFERENCE TABLE

TAKE-APART SHELL PART NO.	FILTER DRIER CARTRIDGE PART NO	FILTER CORE PART NO
P505-8027	P506-802FD	P506-802F
P505-8039	P506-803FD	P506-803F
P505-80311		
P505-80313		
P505-80317		
P505-80411	P506-804FD	P506-804F
P505-80413		
P505-80417		
P505-80421		
P505-80517	P506-805FD	P506-805F
P505-80521		
P505-80525		

#### FILTER DRIER CARTRIDGE DIMENSIONS

PART NO	OD (in)	LENGTH (in)	DESICCANT VOLUME (cu in)
P506-802FD	1-29/32	6-3/8	4.2
P506-803FD	2-3/4	6-7/8	13.3
P506-804FD	3-3/4	7-1/2	26.0
P506-805FD	4-5/16	8-1/2	36.5

#### FILTER CORE DIMENSIONS

PART NO	OD (in)	LENGTH (in)	FILTER AREA (sq in)
P506-802F	1-29/32	6-3/8	66
P506-803F	2-3/4	6-7/8	115
P506-804F	3-3/4	7-1/2	189
P506-805F	4-5/16	8-1/2	270