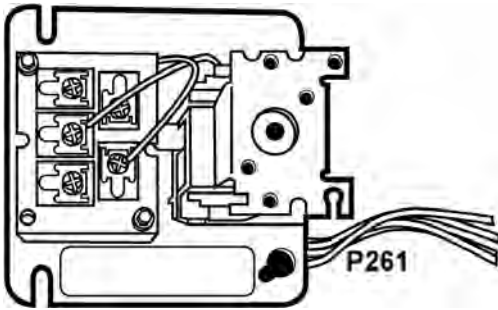


ELECTRICAL

TOTALINE® RELAYS/ACCESSORIES

TOTALINE® FAN CONTROL CENTER RELAYS



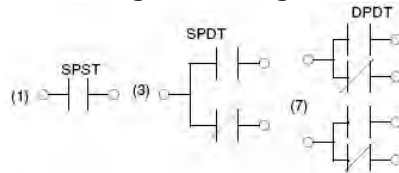
- 40 VA transformer
- 24 volt secondary
- Fits standard 4" Junction box.
- Self-contained unit requires no additional closure.
- Unit imprinted with wiring diagram

Resistive contact rating: 15a @ 277v

Inductive contact rating: 3/4 h.p., 12a @ 120v; 3/4 h.p., 6a @ 240v

Relay coil volts: 24

Contact Arrangement Diagrams:



PART NO	CONTACT ARRANGEMENT	DIAGRAM	TRANSFORMER PRIMARY	PLUG-IN RELAY
P211-4010	DPDT	7	120/208/240	Semi-Enclosed
P211-4012	SPNO/SPNC	4	120	Semi-Enclosed
P211-4013	SPDT	3	120	Semi-Enclosed
P211-4014	SPST	1	120	Semi-Enclosed
P211-4015	SPDT	3	240	Semi-Enclosed
P211-4020	SPDT	3	120	Semi-Enclosed

*See contact arrangement diagrams.