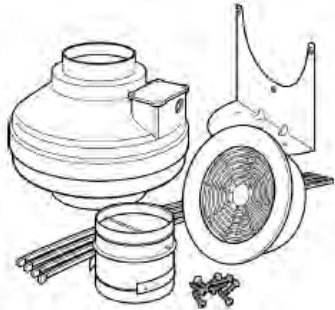


# INDOOR AIR QUALITY

## BATHROOM EXHAUST FANS



### BATHROOM EXHAUST FANS

P451-REG100 – 4" Duct – 122 CFM with FR100 Fan  
 P451-REG140 – 6" Duct – 214 CFM with FR140 Fan

Model	DESCRIPTION
P451-REG100	Kit includes one 122 CFM inline exhaust fan, one mounting bracket, 1 grille/collar/damper combination and clamps. Uses 4-in. duct. Ideal for single point ventilation in a bath or powder room.
P451-REG140	Kit includes one 214 CFM inline exhaust fan, one mounting bracket, 1 grille/collar/damper combination and clamps. Uses 6-in. duct. Ideal for single point ventilation in a larger bath.

### Deluxe Bathroom Exhaust Kit for Dual Point Ventilation



### DELUXE BATHROOM EXHAUST FANS

P451-DLX150 – 6" Duct – 243 CFM with FR150 Fan

Model	DESCRIPTION
P451-DLX150	Kit includes one 243 CFM inline exhaust fan, one mounting bracket, 2 grille/collar/damper combinations and clamps. Uses 6-in. duct. This kit is ideal for use in a larger master bath where spot ventilation is needed in two locations.

## EXTERIOR VENTS SUPPLY/EXHAUST OUTDOOR HOODS

### Outdoor Hoods Specifications



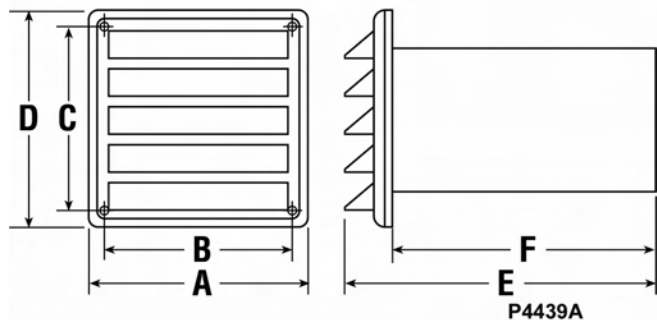
P451-COM6P — 6" White Plastic Supply and Exhaust Hoods (Pair)

- Outdoor Hoods in 6" size.
- Includes a pair (2) supply/exhaust louvers. White.

Model	UPC#	ø Duct*	A	B	C	D	E	F
P451-COM6P	24045	6	9-1/8	8-1/4	8-1/4	9-1/8	12-11/16	12

NOTE: Dimensional information in inches.

\*Duct connections are 1/8-in. smaller than duct size.



INDOOR AIR QUALITY