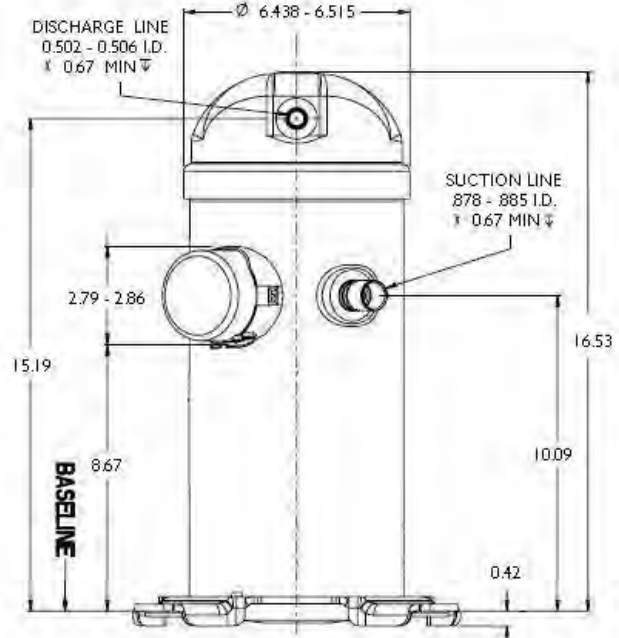
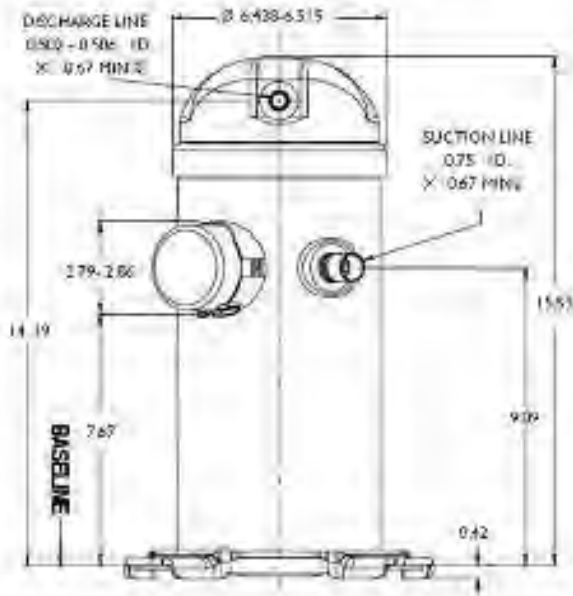
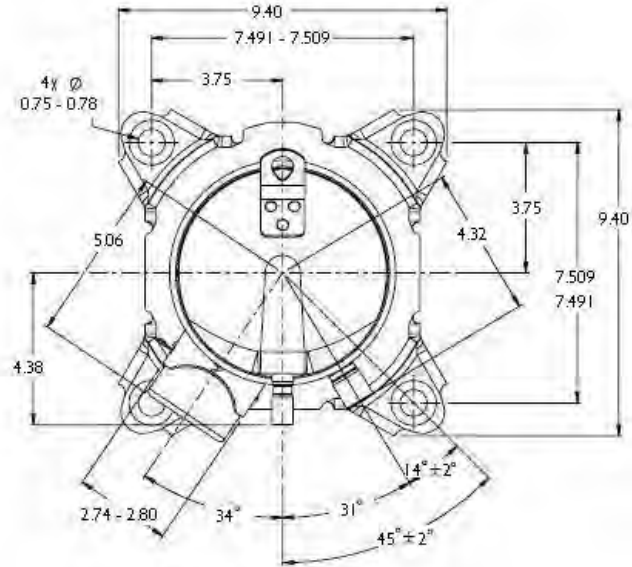
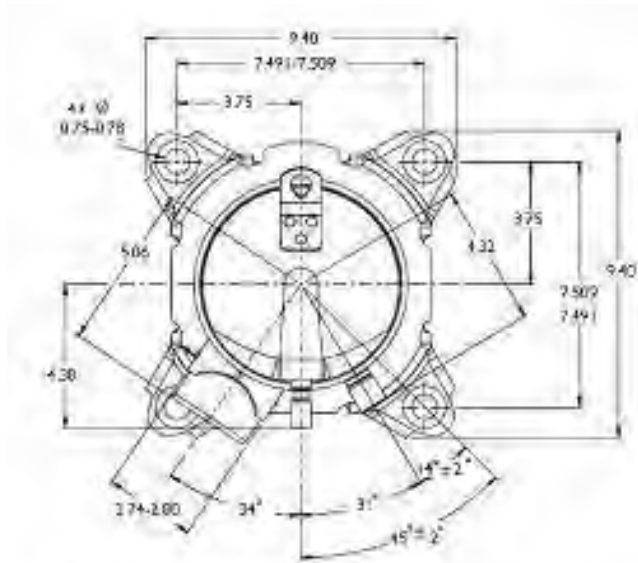


# COMPRESSORS, CHILLERS & CONDENSERS

## DRAWING GUIDE - SCROLL

COMPRESSORS, CHILLERS & CONDENSERS



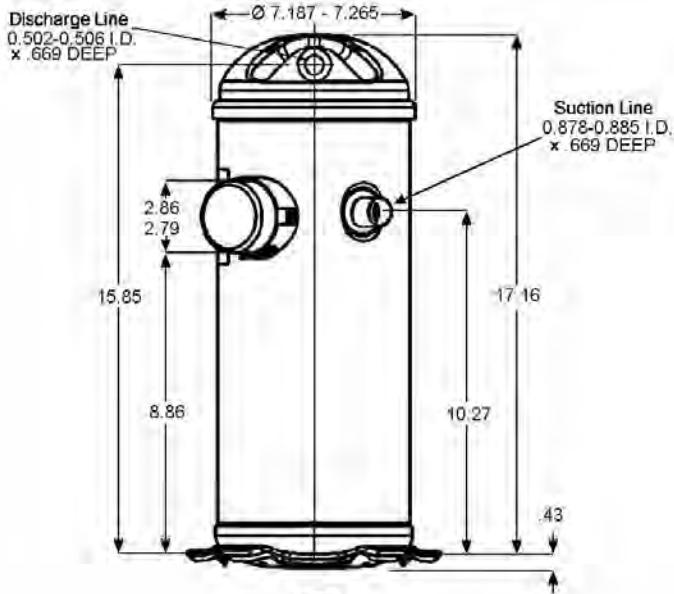
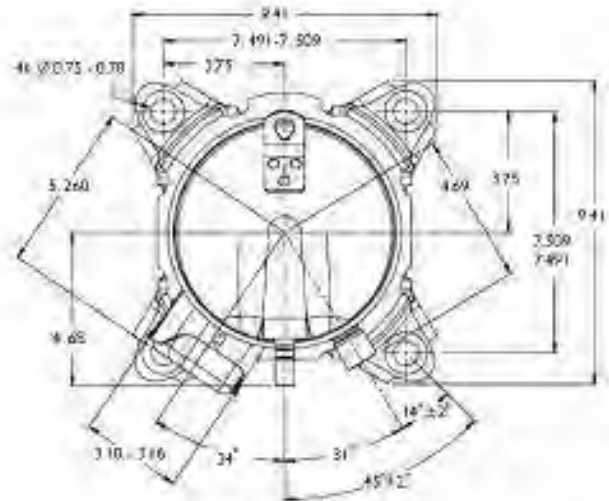
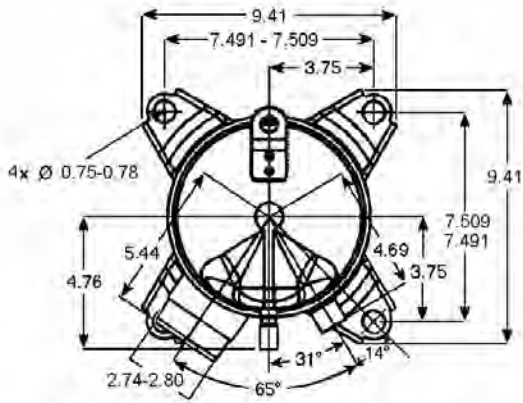
A

B

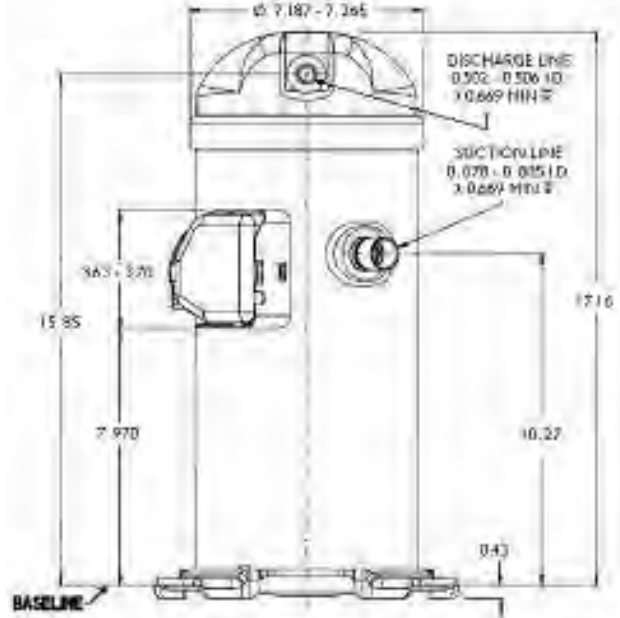
# COMPRESSORS, CHILLERS & CONDENSERS

## DRAWING GUIDE - SCROLL

COMPRESSORS, CHILLERS & CONDENSERS



C

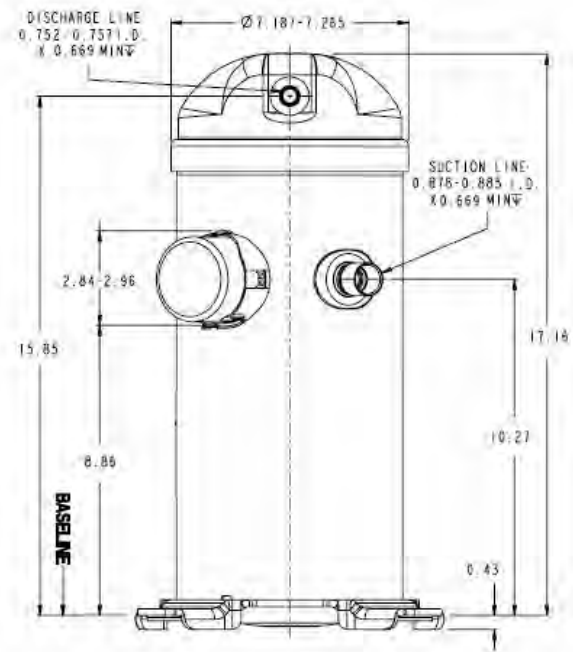
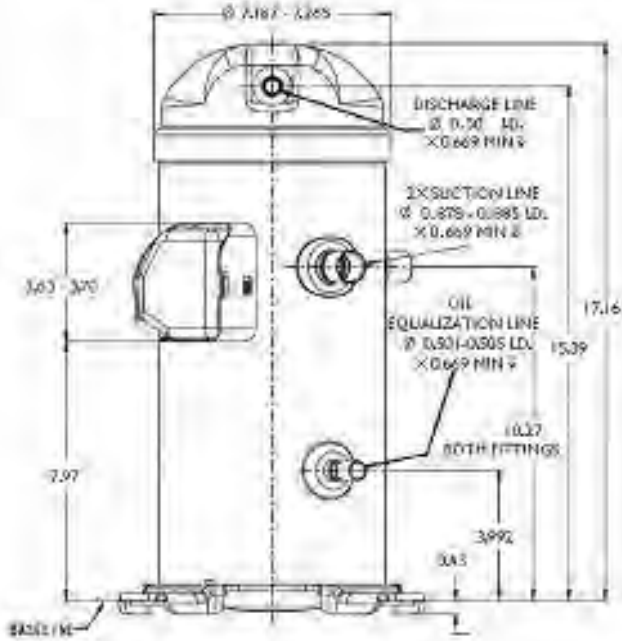
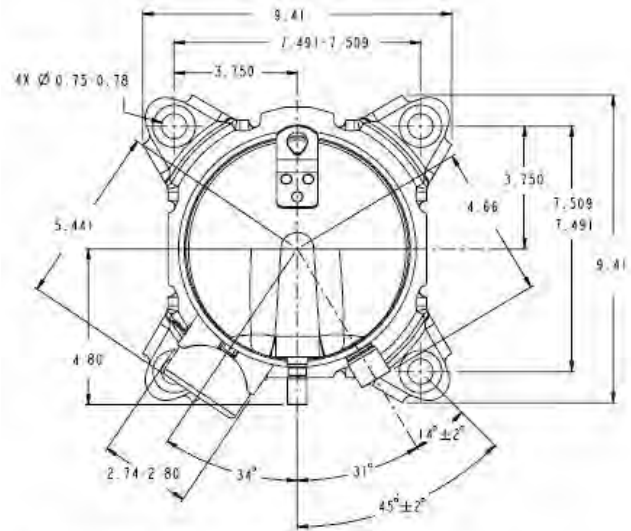
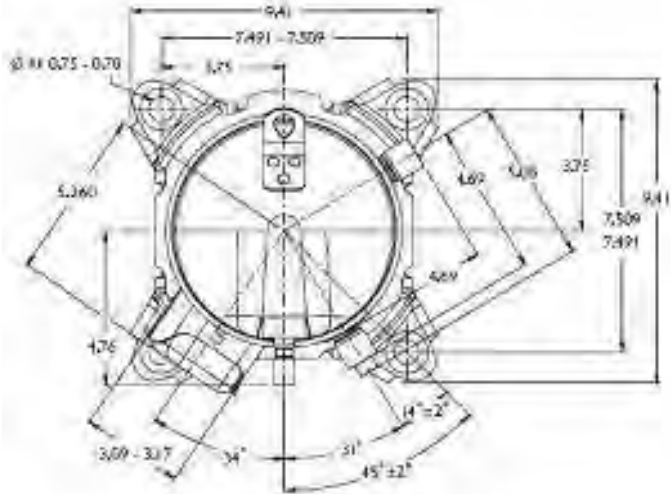


D

# COMPRESSORS, CHILLERS & CONDENSERS

## DRAWING GUIDE - SCROLL

COMPRESSORS, CHILLERS & CONDENSERS



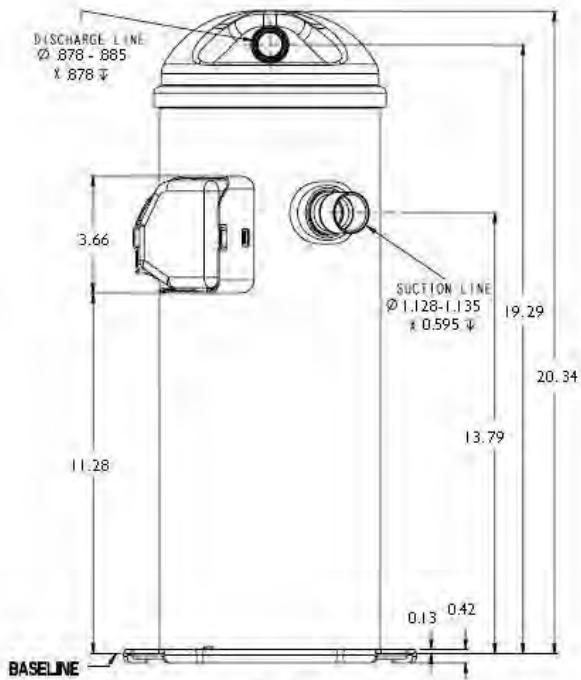
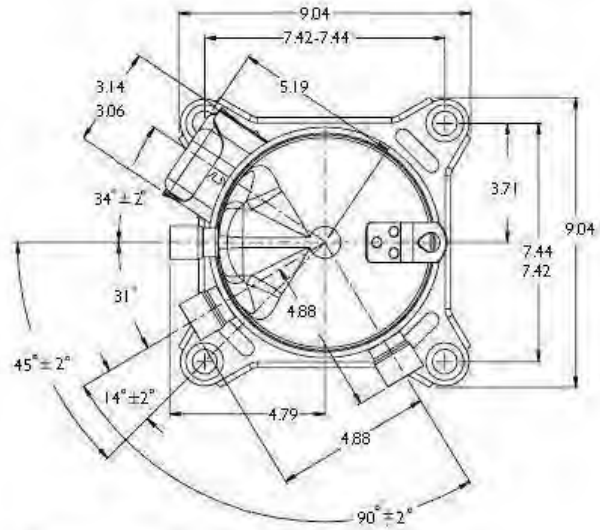
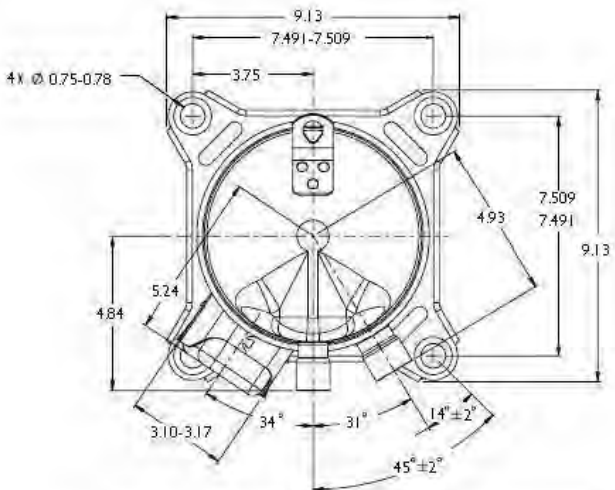
E

F

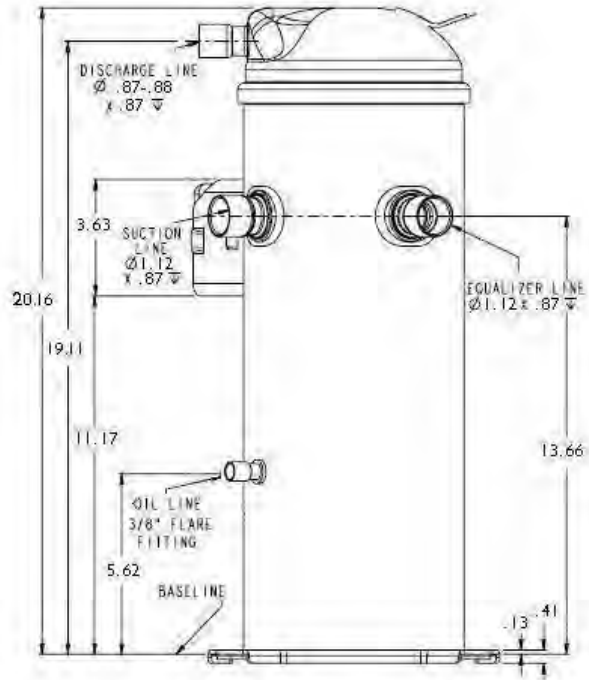
# COMPRESSORS, CHILLERS & CONDENSERS

## DRAWING GUIDE - SCROLL

COMPRESSORS, CHILLERS & CONDENSERS



G

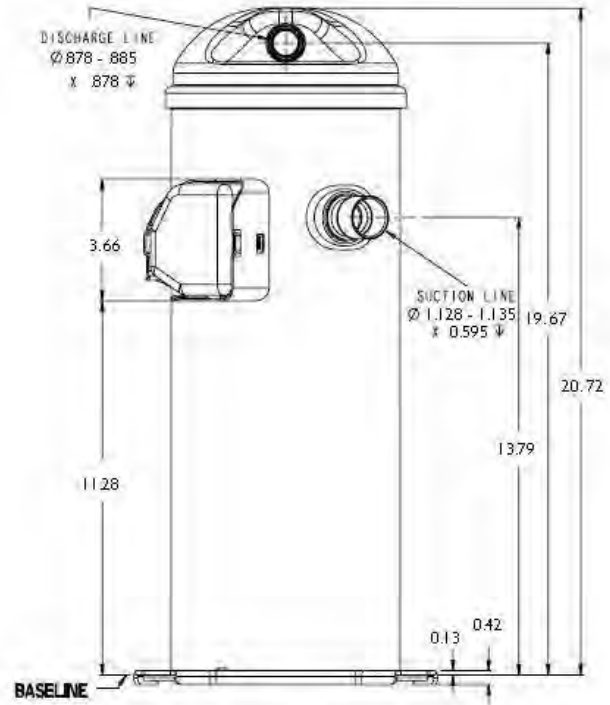
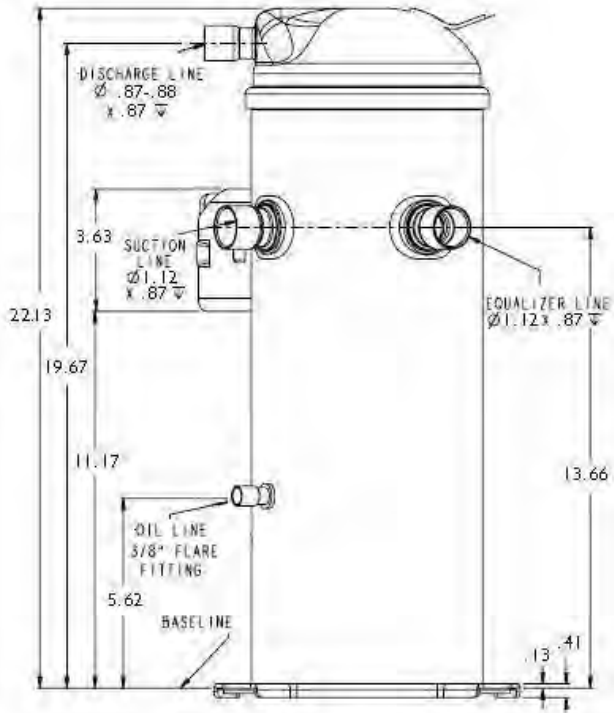
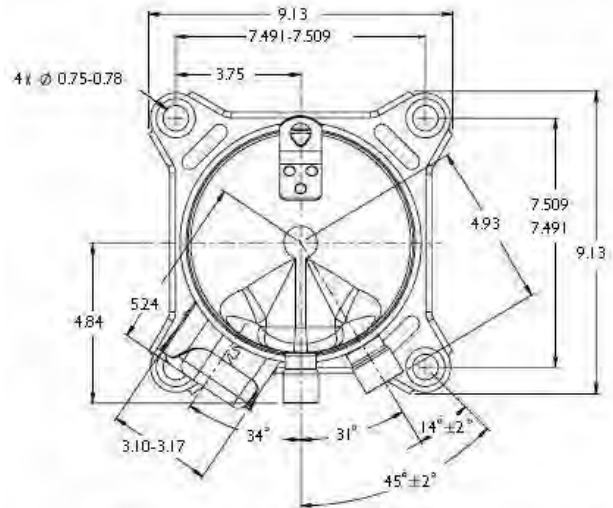
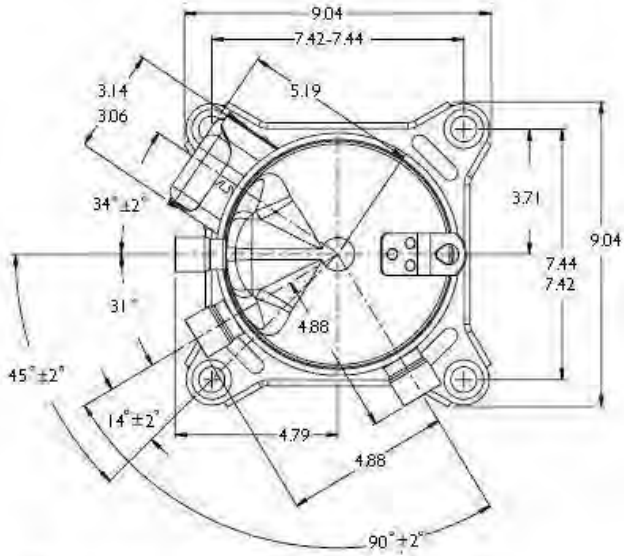


H

# COMPRESSORS, CHILLERS & CONDENSERS

## DRAWING GUIDE - SCROLL

COMPRESSORS, CHILLERS & CONDENSERS



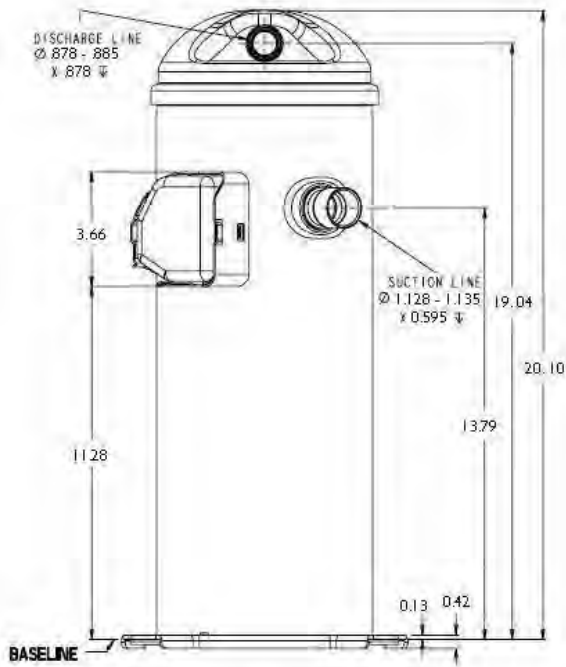
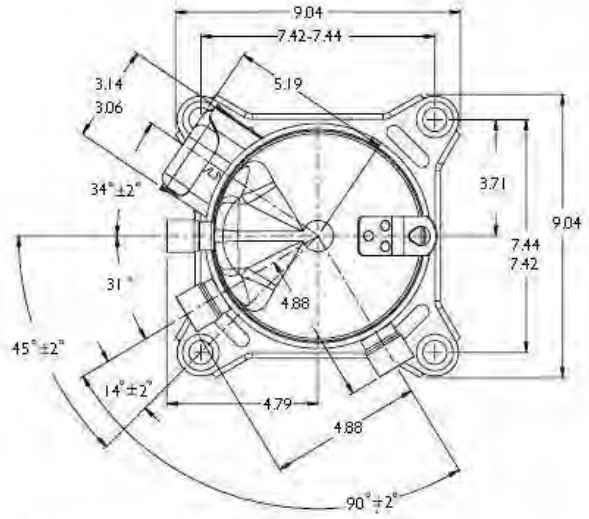
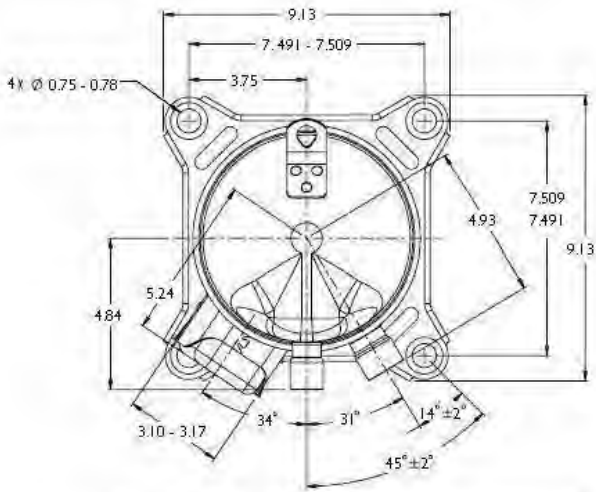
J

K

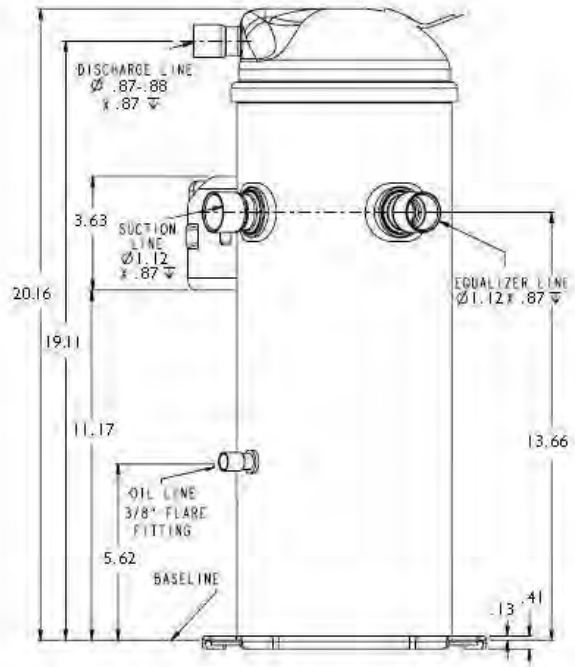
# COMPRESSORS, CHILLERS & CONDENSERS

## DRAWING GUIDE - SCROLL

COMPRESSORS, CHILLERS & CONDENSERS



L



M