

Compressors, Chillers & Condensers Table of Contents/Part Number Index

COMPRESSORS, CHILLERS & CONDENSERS

Part Number Index

PART NO.	PAGE	PART NO.	PAGE	PART NO.	PAGE	PART NO.	PAGE	PART NO.	PAGE
050A502223	B-73	06DX3286BC0600	B-65	06EA660167	B-76	06EX299-660	B-70	32CF131A1	B-87
05GA502223	B-73	06DX3286BC100	B-65	06EA660168	B-76	06LA660010	B-82	32CF131A4	B-87
05HG660020	B-83	06DX3286BC1200	B-65	06EA680036	B-75	06LA660011	B-82	32CF131A5	B-87
05HY500853	B-82	06DX3376-1400	B-65	06EA680137	B-72	06LA660011	B-82	32CF131A6	B-87
05HY500863	B-82	06DX3376-1500	B-65	06ER660011	B-76	06LA660011	B-82	32CF131B1	B-87
05HY501013	B-82	06DX3376-1800	B-65	06ET150-160	B-71	10RT0401-A-147--AB	B-94	32CF131B6	B-87
060B2008	B-78	06DX3376BC0100	B-65	06ET150-320	B-71	10RT0401-C-247--AB	B-94	32CF131C1	B-87
06DA408824	B-75	06DX3376BC0600	B-65	06ET150-360	B-71	10RT0501-A-147--AB	B-94	32CF131C6	B-87
06DA500153	B-73	06DX3376BC1200	B-65	06ET150-360	B-71	10RT0501-B-147--AB	B-94	32CF131D1	B-87
06DA504614	B-73	06DX5376-1400	B-65	06ET150-620	B-71	10RT0501-C-247--AB	B-94	32CF132B4	B-87
06DA605614	B-82	06DX5376-1500	B-65	06ET150-660 PW	B-71	10RT0503-D-247--AB	B-94	32CF132B5	B-87
06DA660056	B-78	06DX5376-1800	B-65	06ET150-660 PW	B-71	10RT0601-B-147--AB	B-94	32CF132D6	B-87
06DA660057	B-78	06DX5376BC0100	B-65	06ET175-160	B-71	10RT0602-C-227--AB	B-94	32CF141G1	B-87
06DA660058	B-78	06DX5376BC0600	B-65	06ET175-320	B-71	10RT0604-D-247--AB	B-94	32CF142C4	B-87
06DA660062	B-82	06DX5376BC1200	B-65	06ET175-360	B-71	10RT0702-C-227--AB	B-94	32CF142C5	B-87
06DA660063	B-82	06DX7246AC0100	B-65	06ET175-360	B-71	10RT0702-D-227--AB	B-94	32CF142E1	B-87
06DA660065	B-82	06DX7246AC0600	B-65	06ET175-360 R	B-71	10RT0704-D-227--AB	B-94	32CF142E6	B-87
06DA660075	B-77	06DX7246AC1200	B-65	06ET175-620	B-71	10RT0804-D-227--AB	B-94	32CF152F1	B-87
06DA660076	B-76	06DX7246BC0100	B-65	06ET175-660	B-71	10RT0804-E-227--AB	B-94	32CF152F6	B-87
06DA660078	B-77	06DX7246BC0600	B-65	06ET175-660 PW	B-71	10RT0806-E-227--AB	B-94	32CF153D4	B-87
06DA660089	B-73	06DX7246BC1200	B-65	06ET250-160	B-71	10RT0902-L-227--AB	B-94	32CF153D5	B-87
06DA660090	B-73	06DX8186AC0600	B-65	06ET250-320	B-71	10RT0903-H-227--AB	B-94	32CF231G6	B-87
06DA660091	B-76	06DX8186AC1200	B-65	06ET250-360	B-71	10RT0904-D-227--AB	B-94	32CF241H1	B-87
06DA660092	B-76	06DX8246AC0100	B-65	06ET250-620	B-71	10RT1002-L-227--AB	B-94	32CF242E4	B-87
06DA660095	B-77	06DX8246AC0600	B-65	06ET250-660 PW	B-71	10RT1003-H-227--AB	B-94	32CF242E5	B-87
06DA660111	B-74	06DX8246AC1200	B-65	06ET250-660 PW	B-71	10RT1003-J-227--AB	B-94	32CF242F5	B-87
06DA660115	B-78	06DX8246BC0100	B-65	06ET265-160	B-71	10RT1004-F-227--AB	B-94	32CF242H6	B-87
06DA660-134	B-77	06DX8246BC0600	B-65	06ET265-320	B-71	10RT1004-G-227--AB	B-94	32CF242J1	B-87
06DA680-063	B-78	06DX8246BC1200	B-65	06ET265-360	B-71	10RT1103-L-227--AB	B-94	32CF242J6	B-87
06DM3136CC3150	B-66	06E()150	B-67	06ET265-360	B-71	10RT1104-F-227--AB	B-94	32CF243F4	B-87
06DM3136CC3250	B-66	06E()175	B-67	06ET265-360 R	B-71	10RT1104-G-227--AB	B-94	32CF243G5	B-87
06DM3136CC3650	B-66	06E()199	B-67	06ET265-620	B-71	10RT1104-J-227--AB	B-94	32CF252K1	B-87
06DM3166CC3150	B-66	06E()250	B-67	06ET265-660	B-71	10RT1203-L-227--AB	B-94	32CF253G4	B-87
06DM3166CC3250	B-66	06E()265	B-67	06ET265-660 PW	B-71	10RT1204-J-227--AB	B-94	32CF253K6	B-87
06DM3166CC3650	B-66	06E()266	B-67	06ET275-160	B-71	10RT1205-H-227--AB	B-94	32CF263H4	B-87
06DM3376DC3150	B-66	06E()275	B-67	06ET275-320	B-71	10RT-DX COOLER	B-94	32CF263H5	B-87
06DM3376DC3250	B-66	06E()299	B-67	06ET275-360	B-71	310060-401	B-54	32CF263L1	B-87
06DM3376DC3650	B-66	06E502084	B-72	06ET275-360 R	B-71	312900-401	B-54	32CF263L6	B-87
06DM5376BC0100	B-66	06EA501253	B-75	06ET275-620	B-71	312906-411	B-55	32CF273M1	B-87
06DM5376BC0600	B-66	06EA501253	B-75	06ET275-660	B-71	312906-413	B-55	32CG273J4	B-87
06DM5376DC3250	B-66	06EA501382	B-75	06ET275-660 PW	B-71	312906-422	B-55	32CG273J5	B-87
06DM8086GC3150	B-66	06EA502023	B-75	06ET299-160	B-71	312906-426	B-55	32CH205L4	B-87
06DM8086GC3250	B-66	06EA502074	B-72	06ET299-320	B-71	312906-428	B-55	32CH205L5	B-87
06DM8086GC3650	B-66	06EA502094	B-75	06ET299-360	B-71	312906-434	B-55	32CH274M6	B-87
06DM8186AC0100	B-66	06EA503314	B-72	06ET299-360 R	B-71	312906-435	B-55	32CH295K4	B-87
06DM8186AC0600	B-66	06EA503334	B-75	06ET299-620	B-71	312906-436	B-55	32CH295K5	B-87
06DM8186AC1200	B-66	06EA503334 (std)	B-72	06ET299-660	B-71	312906-446	B-55	32CI205N6	B-87
06DR660014	B-76	06EA503524	B-72	06ET299-660 PW	B-71	312906-452	B-55	32CI216M4	B-87
06DS3136AC1200	B-66	06EA505224	B-75	06EX150-160	B-70	312906-455	B-55	32CI216M5	B-87
06DS3136AC3100	B-66	06EA506414	B-75	06EX150-360	B-70	312997-401	B-54	32CI225N1	B-87
06DS3136AC3600	B-66	06EA660079	B-74	06EX150-660	B-70	314776-401	B-54	32CI227N4	B-87
06DS3286BC3100	B-66	06EA660079	B-75	06EX175-160	B-70	314840-401	B-54	32CI227N5	B-87
06DS3286BC3200	B-66	06EA660089	B-78	06EX175-660	B-70	314841-401	B-54	32CJ205P6	B-87
06DS3286BC3600	B-66	06EA660090	B-82	06EX250-160	B-70	315997-401	B-54	32CJ205Q1	B-87
06DS5376BC0100	B-66	06EA660095	B-77	06EX250-360	B-70	316739-401	B-54	32CJ216Q6	B-87
06DS5376BC0600	B-66	06EA660096	B-77	06EX250-360	B-70	317035-401	B-54	32CJ217P4	B-87
06DS5376BC1200	B-66	06EA660100	B-72	06EX250-660	B-70	317037-401	B-54	32CJ218Q4	B-87
06DS8186AC3100	B-66	06EA660100	B-75	06EX265-160	B-70	317749-407	B-55	32CJ218Q5	B-87
06DS8186AC3200	B-66	06EA660104	B-75	06EX265-360	B-70	317749-415	B-55	32CJ227P5	B-87
06DS8186AC3600	B-66	06EA660105	B-72	06EX265-660	B-70	318414-401	B-54	32CJ284P1	B-87
06DS8246AC3100	B-66	06EA660107	B-76	06EX266-160	B-70	318415-401	B-54	38AQ680001	B-53
06DS8246AC3200	B-66	06EA660108	B-76	06EX266-360	B-70	318416-401	B-54	38EC500314	B-54
06DS8246AC3600	B-66	06EA660135	B-72	06EX266-660	B-70	320399-401	B-54	38EC500334	B-54
06DS8246BC3100	B-66	06EA660135	B-75	06EX275-160	B-70	321538-401	B-54	38EC500344	B-54
06DS8246BC3200	B-66	06EA660137	B-72	06EX275-360	B-70	321538-402	B-54	38EC500564	B-54
06DS8246BC3600	B-66	06EA660138	B-74	06EX275-660	B-70	324091-411	B-55	38ED500404	B-54
06DS8256BC3100	B-66	06EA660139	B-75	06EX275-660	B-70	324091-412	B-55	38ES400384	B-54
06DS8256BC3200	B-66	06EA660141	B-77	06EX299-160	B-70	324091-412	B-55	38QB501484	B-54
06DS8256BC3600	B-66	06EA660165	B-76	06EX299-360	B-70	326830-401	B-54	38UE500874	B-54
06DX3286-1800	B-65	06EA660166	B-76	06EX299-660	B-70	327533-402	B-55	38UE500894	B-54

Compressors, Chillers & Condensers Table of Contents/Part Number Index

COMPRESSORS, CHILLERS & CONDENSERS

Part Number Index

PART NO.	PAGE	PART NO.	PAGE	PART NO.	PAGE	PART NO.	PAGE	PART NO.	PAGE
5F20-172	B-84	5H60-507	B-84	B 32808	B-121	CR32K6-PFJ-930	B-37	HN69GZ024	B-79
5F20-212	B-83	5H60-613	B-84	B 32930	B-121	CR32K6-PFV-870	B-37	HN69GZ025	B-79
5F20-623	B-84	5H60-623	B-84	B 33367	B-121	CR32K6-PFV-960	B-37	HN69GZ025	B-79
5F20-752	B-83	5H60-673	B-84	B 33568	B-121	CR32K6-TF5-870	B-36	HN69GZ032	B-79
5F20-821	B-85	5H60-A382	B-83	B 33569	B-121	CR32K6-TF5-920	B-36	HN69GZ032	B-79
5F20-821	B-85	5H660-001	B-82	B 33572	B-121	CR32K6-TFD-830	B-36	HN69GZ037	B-79
5F20-847	B-84	5H660-007	B-82	B 33770	B-121	CR32K6-TFD-920	B-36	HN69GZ037	B-79
5F20-A684	B-82	5H660-008	B-82	B 33784	B-121	CR34KQ-TF5-980WB	B-36	HN69GZ038	B-79
5F20-A752	B-83	5H80-4032	B-83	B 33788	B-121	CR35K6-PFV-877	B-37	HN69GZ053	B-79
5F20-B103	B-83	5H80-507	B-84	B 33793	B-122	CR35K6-PFV-960	B-37	HN69GZ053	B-79
5F20-S674	B-82	5H80-613	B-84	B 33794	B-122	CR35K6-TF5-960	B-36	HN69GZ106	B-79
5F20-S684	B-82	5H80-663	B-84	B 33813	B-121	CR35K6-TFD-920	B-36	HN69GZ106	B-79
5F30-172	B-84	5H80-673	B-84	B 33842	B-121	CR35K6-TFE-970	B-37	HN69GZ214	B-79
5F30-623	B-84	5H80-A382	B-83	B 34183	B-122	CR36KQE-TFD-280AB	B-38	HN69GZ214	B-79
5F30-821	B-85	6D401061	B-77	B 34314	B-121	CR38K6-PFV-877	B-37	HN69GZ301	B-79
5F30-821	B-85	6D75601	B-75	B 34315	B-121	CR38K6-PFV-960	B-37	HN69GZ306	B-79
5F30-821	B-85	A 13166	B-121	B 34429	B-121	CR38K6-TF5-960	B-36	HN69GZ307	B-79
5F30-847	B-84	A 15246	B-121	B 34497	B-122	CR38K6-TFD-960	B-36	HN69GZ309	B-79
5F30-A219	B-82	A 15500	B-121	B 34498	B-122	CR38K6-TFE-960	B-37	HRH051U1LP6	B-24
5F30-AI89	B-82	A 15586	B-121	B 34582	B-121	CR41KQE-TFD-280AB	B-38	HRH054U1LP6	B-24
5F30-S644	B-82	A 15587	B-121	B 34661	B-121	CR42K6-PFV-877	B-37	HRM038U1LP6	B-20
5F30-S664	B-82	A 15588	B-121	B 34670	B-121	CR42K6-PFV-960	B-37	HRM038U2LP6	B-20
5F40-172	B-84	A 15589	B-121	B 34671	B-121	CR42K6-TF5-830	B-36	HRM038U2LP6	B-22
5F40-3792	B-83	A 16302	B-119	B 34715	B-122	CR42K6-TF5-960	B-36	HRM040U1LP6	B-20
5F40-401	B-85	A 16303	B-119	B 34761	B-122	CR42K6-TFD-877	B-36	HRM040U4LP6	B-20
5F40-4FI-A	B-82	A 16304	B-119	B 34929	B-122	CR42K6-TFD-960	B-36	HRM040U4LP6	B-22
5F40-603	B-84	A 16307	B-121	B 34987	B-122	CR42K6-TFE-970	B-37	HRM042U1LP6	B-20
5F40-623	B-84	A 16308	B-121	B 34988	B-122	CR47KQ-PFV-980WB	B-37	HRM042U2LP6	B-20
5F40-801	B-85	A 16309	B-121	B 35049	B-122	CR47KQ-TF5-980WB	B-36	HRM045U1LP6	B-20
5F40-A219	B-82	A 16310	B-121	B 35308	B-122	CR47KQ-TFD-980WB	B-36	HRM045U2LP6	B-20
5F40-A352	B-83	A 16311	B-121	B 35358	B-122	CR53KQ-PFV-980WB	B-38	HRM045U2LP6	B-22
5F40-S219	B-82	A 16312	B-121	BRE2-0750-TFC-902	B-36	CR53KQ-TF5-980WB	B-36	HRM045U4LP6	B-20
5F60-1094	B-82	A 16313	B-121	BRE2-0750-TFD-903	B-36	CR53KQ-TFD-980WB	B-36	HRM045U4LP6	B-22
5F60-172	B-84	A 16314	B-121	BRE2-0750-TFE-904	B-38	CRN5-0500-PFV-960	B-38	HRM047U2LP6	B-20
5F60-3792	B-83	A 16315	B-121	BRG2-0900-TFC-902	B-36	CRN5-0500-TF5-960	B-36	HRM047U2LP6	B-22
5F60-401	B-85	A 16316	B-121	BRG2-0900-TFD-903	B-36	CRN5-0500-TFD-960	B-36	HRM048U1LP6	B-20
5F60-4FI-A	B-82	A 16317	B-121	BRG2-0900-TFE-904	B-37	CRN5-0500-TFE-960	B-38	HRM048U4LP6	B-20
5F60-613	B-84	A 16321	B-121	BRH2-1000-TFC-902	B-36	CRP5-0450-PFV-960	B-38	HRM054U1LP6	B-20
5F60-623	B-84	A 16324	B-121	BRH2-1000-TFD-903	B-36	CRP5-0450-TF5-960	B-36	HRM054U2LP6	B-21
5F60-633	B-84	A 16365	B-121	BRK2-1200-TFC-901	B-36	CRP5-0450-TFD-960	B-36	HRM054U4LP6	B-20
5F60-663	B-84	A 16366	B-121	BRK2-1200-TFD-901	B-36	CRP5-0450-TFE-960	B-38	HRM054U4LP6	B-22
5F60-A219	B-82	A 16367	B-121	CR16K6-PFJ-960	B-37	CRT5-0450-PFV-961	B-38	HRM054U4LP6	B-22
5F60-A352	B-83	A 16493	B-121	CR16K6-PFV-870	B-37	CRT5-0450-TF5-961	B-36	HRM058U1LP6	B-20
5F60-S219	B-82	A 16496	B-121	CR16K6-PFV-920	B-37	CRT5-0450-TFD-961	B-36	HRM058U2LP6	B-21
5F660-001	B-82	A 17496	B-121	CR18K6-PFV-878	B-37	CTH1-0275-CSV-960	B-37	HRM058U2LP6	B-22
5F660-002	B-82	A 17510	B-119	CR18K6-PFV-960	B-37	CTL1-0350-CSV-960	B-37	HRM058U4LP6	B-20
5H120-337	B-82	A 17511	B-119	CR20K6-PFV-960	B-37	CTM1-0400-CSV-911	B-38	HRM058U4LP6	B-22
5H120-4552	B-83	A 17512	B-119	CR22K6-PFJ-960	B-37	CVA1-0150-TFC-270	B-37	HRM060U1LP6	B-20
5H120-467	B-84	A 17513	B-119	CR22K6-PFV-870	B-37	EA11ZC011	B-76	HRM060U4LP6	B-20
5H120-4FI-A	B-82	A 17515	B-119	CR22K6-PFV-960	B-37	EA11ZC022	B-76	HT31AZ120	B-83
5H120-507	B-84	A 17516	B-119	CR22K6-TF5-960	B-37	EA11ZC030	B-76	HT31AZ121	B-83
5H120-527	B-84	A 17517	B-119	CR22K6-TFD-960	B-36	EF19ZE024	B-73	HT31AZ241	B-83
5H120-623	B-84	A 17518	B-119	CR24K6-PFJ-960	B-37	EF19ZE120	B-73	HT32BH600	B-53
5H120-A382	B-83	A 17519	B-119	CR24K6-PFV-877	B-37	EF19ZE240	B-73	HT32BH852	B-53
5H120-B283	B-83	A 17520	B-119	CR24K6-PFV-960	B-37	H731AZ240	B-83	HT32BH853	B-53
5H126-623	B-84	A 17521	B-119	CR24K6-TF5-960	B-37	HN61AJ101	B-83	HT32BH857	B-53
5H40-401	B-85	A 17522	B-119	CR24K6-TFD-960	B-36	HN61AJ108	B-83	HT32BH858	B-53
5H40-4032	B-83	A 17523	B-119	CR24KQE-TFD-240AA	B-38	HN67PA024	B-52	HT32BH859	B-53
5H40-4FI-A	B-82	A 17524	B-119	CR28K6-PFV-877	B-37	HN67ZA001	B-86	HT32BH860	B-53
5H40-507	B-84	A 17525	B-119	CR28K6-PFV-960	B-37	HN69GZ007	B-79	HT32BH906	B-53
5H40-613	B-84	A 17526	B-119	CR28K6-TF5-877	B-36	HN69GZ010	B-79	HT32BH907	B-53
5H40-653	B-84	A 17527	B-119	CR28K6-TF5-960	B-36	HN69GZ011	B-79	HT32BH950	B-53
5H40-711	B-85	AA06GR239	B-73	CR28K6-TFD-960	B-36	HN69GZ012	B-79	HT32BH970	B-53
5H40-711	B-85	AB44AA168	B-75	CR30K6-PFJ-970	B-36	HN69GZ012	B-79	HT32BH975	B-53
5H40-A274	B-83	AU52YA171	B-75	CR30K6-PFV-877	B-37	HN69GZ014	B-79	HY07MP240	B-55
5H40-A382	B-83	AX35AA238	B-83	CR30K6-PFV-920	B-37	HN69GZ014	B-79	HY07MP241	B-55
5H40-B283	B-83	B 32197	B-121	CR30K6-TF5-970	B-36	HN69GZ015	B-79	HY61AM094	B-52
5H60-4032	B-83	B 32337	B-121	CR30K6-TFD-960	B-36	HN69GZ024	B-79	HY85TB004	B-77
5H60-4FI-A	B-82	B 32807	B-121	CR30KQE-TFD-240AA	B-38	HN69GZ024	B-79	HY85TB008	B-77

Compressors, Chillers & Condensers Table of Contents/Part Number Index

COMPRESSORS, CHILLERS & CONDENSERS Part Number Index

PART NO.	PAGE	PART NO.	PAGE	PART NO.	PAGE	PART NO.	PAGE	PART NO.	PAGE
KA56TS022	B-52	P031-0902	B-44	P031-3152	B-46	P032-2751	B-16	P034-1621	B-49
LM10HK010	B-52	P031-0921	B-47	P031-3153	B-46	P032-2829	B-15	P034-1691	B-49
LM10KH001	B-52	P031-0922	B-44	P031-3174	B-46	P032-2871	B-16	P034-1722	B-49
LM680001	B-52	P031-0991	B-47	P031-3191	B-45	P032-3026	B-16	P034-1821	B-49
MHX-1005A-2	B-113	P031-0992	B-44	P031-3221	B-45	P032-3121	B-15	P034-2022	B-49
MHX-1006A-2	B-113	P031-1004	B-47	P031-3223	B-45	P032-3171	B-16	P034-2321	B-49
MHX-1008A-2	B-113	P031-1005	B-47	P031-3252	B-46	P032-3252	B-16	P034-2621	B-49
MHX-1205A-2	B-113	P031-1091	B-44	P031-3272	B-46	P032-3254	B-16	P034-2921	B-49
MHX-1206A-2	B-113	P031-1101	B-44	P031-3291	B-45	P032-3271	B-16	P035-0601	B-50
MHX-1208A-1	B-113	P031-1103	B-47	P031-3471	B-46	P032-3475	B-16	P035-0701	B-50
MHX-1208A-2	B-113	P031-1104	B-44	P031-3481	B-45	P032-3525	B-16	P035-0721	B-50
MHX-1210A-1	B-113	P031-1105	B-47	P031-3522	B-45	P032-3526	B-15	P035-0791	B-50
MHX-1405B-2	B-113	P031-1121	B-44	P031-3523	B-45	P032-3553	B-16	P035-0901	B-50
MHX-1406B-2	B-113	P031-1122	B-47	P031-3551	B-46	P032-3721	B-15	P035-0923	B-50
MHX-1408B-2	B-113	P031-1124	B-47	P031-3552	B-46	P032-3722	B-16	P035-0992	B-50
MHX-1410B-1	B-113	P031-1125	B-47	P031-3822	B-45	P032-3723	B-15	P035-1021	B-50
MHX-1608B-1	B-113	P031-1191	B-47	P031-3823	B-45	P032-3753	B-16	P035-1102	B-50
MHX-1608B-2	B-113	P031-1193	B-47	P031-3854	B-46	P032-3773	B-16	P035-1201	B-50
MHX-1610B-1	B-113	P031-1221	B-44	P031-3855	B-46	P032-3853	B-16	P035-1222	B-50
MHX-602D-4	B-113	P031-1291	B-44	P031-3872	B-46	P032-3872	B-16	P035-1291	B-50
MHX-603D-4	B-113	P031-1292	B-44	P031-3873	B-46	P032-4021	B-15	P035-1301	B-50
MHX-604B-4	B-113	P031-1301	B-47	P031-4151	B-46	P032-4051	B-16	P035-1621	B-50
MHX-604D-4	B-113	P031-1302	B-44	P031-4171	B-46	P032-4172	B-16	P035-1921	B-50
MHX-605D-2	B-113	P031-1323	B-47	P031-4181	B-45	P032-4421	B-15	P035-2522	B-50
MHX-606D-2	B-113	P031-1324	B-44	P031-4221	B-45	P032-4452	B-16	P035-3221	B-50
MHX-805A-2	B-113	P031-1325	B-44	P031-4222	B-45	P032-4471	B-16	P040-10751	B-39
MHX-806A-2	B-113	P031-1326	B-44	P031-4251	B-46	P032-4481	B-15	P040-10761	B-39
MHX-808A-2	B-113	P031-1391	B-47	P031-4271	B-46	P032-4956	B-16	P040-10771	B-39
P030-0521	B-48	P031-1392	B-44	P031-4621	B-45	P032-4975	B-16	P040-10781	B-39
P030-0591	B-48	P031-1521	B-44	P031-4622	B-45	P032-4982	B-15	P040-11551	B-39
P030-0701	B-48	P031-1523	B-47	P031-4623	B-45	P032-4983	B-15	P040-11561	B-39
P030-0721	B-48	P031-1524	B-44	P031-4651	B-46	P032-5021	B-15	P040-11571	B-39
P030-0791	B-48	P031-1525	B-44	P031-4652	B-46	P032-5121	B-16	P040-11581	B-39
P030-0821	B-48	P031-1527	B-44	P031-4672	B-46	P032-5122	B-16	P040-12551	B-39
P030-0822	B-48	P031-1591	B-44	P031-4873	B-46	P032-5221	B-16	P040-12561	B-39
P030-0901	B-48	P031-1593	B-44	P031-4921	B-45	P032-5451	B-16	P040-12571	B-39
P030-0902	B-48	P031-1594	B-47	P031-4951	B-46	P032-5722	B-15	P040-12581	B-39
P030-0921	B-48	P031-1693	B-44	P031-4981	B-45	P032-5723	B-15	P040-12651	B-39
P030-0991	B-48	P031-1721	B-44	P031-5321	B-45	P032-5854	B-16	P040-12661	B-39
P030-1001	B-48	P031-1723	B-44	P031-5351	B-46	P032-5871	B-16	P040-12671	B-39
P030-1021	B-48	P031-1724	B-44	P031-5371	B-46	P032-5872	B-16	P040-12681	B-39
P030-1022	B-48	P031-1791	B-44	P031-5381	B-45	P032-5883	B-15	P040-16251	B-39
P030-1121	B-48	P031-1793	B-47	P031-5721	B-45	P032-6022	B-15	P040-16261	B-39
P030-1221	B-48	P031-1794	B-44	P031-5751	B-46	P032-6051	B-16	P040-16271	B-39
P030-1222	B-48	P031-1825	B-47	P031-5771	B-46	P032-6271	B-16	P040-16281	B-39
P030-1291	B-48	P031-1894	B-44	P031-5781	B-45	P034-0502	B-49	P040-16351	B-39
P031-0502	B-44	P031-1921	B-44	P031-6121	B-45	P034-0503	B-49	P040-16361	B-39
P031-0504	B-47	P031-19210	B-44	P031-6151	B-46	P034-0504	B-49	P040-16371	B-39
P031-0505	B-47	P031-1927	B-44	P031-6171	B-46	P034-0506	B-49	P040-16381	B-39
P031-0601	B-44	P031-1928	B-44	P031-6181	B-45	P034-0601	B-49	P040-17451	B-39
P031-0603	B-47	P031-1929	B-44	P031-6821	B-45	P034-0602	B-49	P040-17461	B-39
P031-0604	B-47	P031-1991	B-44	P031-6851	B-46	P034-0604	B-49	P040-17471	B-39
P031-0622	B-47	P031-1993	B-44	P031-6871	B-46	P034-0605	B-49	P040-17481	B-39
P031-0692	B-47	P031-2151	B-46	P031-6881	B-45	P034-0620	B-49	P040-18551	B-39
P031-0701	B-44	P031-2171	B-46	P031-7171	B-46	P034-0690	B-49	P040-18561	B-39
P031-0703	B-44	P031-2191	B-44	P032-1523	B-15	P034-0703	B-49	P040-18571	B-39
P031-0704	B-47	P031-2224	B-44	P032-1524	B-15	P034-0704	B-49	P040-18581	B-39
P031-0705	B-47	P031-2429	B-45	P032-1724	B-15	P034-0705	B-49	P040-24051	B-40
P031-0721	B-44	P031-2453	B-46	P032-1820	B-15	P034-0801	B-49	P040-24061	B-40
P031-0722	B-47	P031-2472	B-46	P032-1829	B-16	P034-0901	B-49	P040-24071	B-39
P031-0791	B-44	P031-2492	B-45	P032-1926	B-16	P034-1002	B-49	P040-24081	B-40
P031-0792	B-47	P031-2493	B-45	P032-2124	B-15	P034-1021	B-49	P040-30051	B-40
P031-0801	B-44	P031-2824	B-45	P032-2227	B-15	P034-1103	B-49	P040-30061	B-40
P031-0802	B-47	P031-2825	B-45	P032-2229	B-15	P034-1104	B-49	P040-30071	B-39
P031-0803	B-47	P031-2854	B-46	P032-2428	B-15	P034-1121	B-49	P040-30081	B-40
P031-0821	B-44	P031-2872	B-46	P032-2429	B-15	P034-1122	B-49	P041-4131	B-53
P031-0823	B-47	P031-2892	B-45	P032-2625	B-15	P034-1203	B-49	P041-4411	B-53
P031-0891	B-44	P031-3025	B-45	P032-2651	B-16	P034-1222	B-49	P041-4412	B-53
P031-0893	B-47	P031-3123	B-45	P032-2722	B-16	P034-1223	B-49	P041-4422	B-53
P031-0901	B-47	P031-3124	B-45	P032-2723	B-16	P034-1521	B-49	P041-4423	B-53

Compressors, Chillers & Condensers Table of Contents/Part Number Index

COMPRESSORS, CHILLERS & CONDENSERS

Part Number Index

PART NO.	PAGE	PART NO.	PAGE	PART NO.	PAGE	PART NO.	PAGE	PART NO.	PAGE
P041-4424	B-53	P107-14165AX	B-105	TT1-002	B-54	XNJ562HA	B-24	ZP26K3E-TFD-930	B-34
P041-4441	B-53	P107-14210AX	B-105	TT2-002	B-54	XNJ682AE	B-24	ZP29K5E-PFV-830	B-33
P041-4442	B-53	P107-14270AX	B-105	TT3-001	B-54	XNY442HA	B-24	ZP29K5E-TFD-830	B-34
P041-4443**	B-53	P107-14290AX	B-105	XCD470HA	B-20	XNY492HA	B-24	ZP31K5E-PFV-830	B-33
P041-4444**	B-53	P107-16200AX	B-105	XCE380HA	B-22	XNY512HA	B-24	ZP32K3E-PFV-830	B-33
P041-4721	B-53	P107-16210AX	B-105	XCE420HA	B-22	XNY542HA	B-24	ZP32K3E-PFV-930	B-33
P041-4741	B-53	P107-16230AX	B-105	XCE450HA	B-22	XNY562HA	B-24	ZP32K3E-TF5-830	B-33
P041-5001	B-51	P107-16300AX	B-105	XCE470BA	B-23	XNY682AE	B-24	ZP32K3E-TF5-930	B-34
P041-5002*	B-51	P107-16360AX	B-105	XCE470HA	B-22	XNY682AE	B-25	ZP32K3E-TFD-830	B-34
P041-5003	B-51	P107-16400AX	B-105	XCH382BA	B-23	XRD510HA	B-20	ZP32K3E-TFD-930	B-34
P041-5101	B-51	P298-001	B-53	XCH382HA	B-20	XRD540HE	B-20	ZP32K3E-TFE-830	B-33
P041-5102	B-51	P529-4120	B-83	XCH382HA	B-22	XRD580HE	B-20	ZP34K5E-PFV-830	B-33
P041-5103	B-51	P920-0009	B-76	XCH402BA	B-23	XRD600HE	B-20	ZP36K3E-PFV-830	B-33
P041-5104	B-51	RC70C1-PFV-900	B-37	XCH422BA	B-23	XRD680AA	B-20	ZP36K3E-PFV-930	B-33
P041-5105	B-51	RES3-0175-PFJ-900	B-37	XCH422HA	B-20	XRD720AA	B-20	ZP36K3E-TF5-830	B-33
P041-5106	B-51	REY3-0175-PFV-802	B-37	XCH422HA	B-22	XRD750AA	B-20	ZP36K3E-TF5-930	B-34
P041-5107	B-51	RR12K1-PFV-900	B-37	XCH452BA	B-23	XRD810AA	B-20	ZP36K3E-TFD-830	B-34
P041-5108	B-51	RR14K1-PFJ-946	B-37	XCH472BA	B-23	XRE580BA	B-23	ZP36K3E-TFD-930	B-34
P041-5109	B-51	RR14K1-PFV-900	B-37	XCH472HA	B-20	XRE580HA	B-22	ZP36K3E-TFE-830	B-33
P041-5111	B-51	RR14K1-PFV-945	B-37	XCH472HA	B-22	XRE600BA	B-23	ZP36K5E-PFV-830	B-33
P041-5112	B-51	RR16K1-PFJ-945	B-37	XCJ382HA	B-20	XRE600HA	B-22	ZP36K5E-TFD-830	B-34
P041-5113	B-51	RR16K1-PFV-900	B-37	XCJ402HA	B-20	XRE680BA	B-23	ZP38K3E-PFV-830	B-33
P041-5114	B-51	RR16K1-PFV-945	B-37	XCJ422HA	B-20	XRE720BA	B-23	ZP38K3E-PFV-830	B-33
P041-5115	B-51	RR16K1-PFV-971	B-37	XCJ452HA	B-20	XRE750BA	B-23	ZP38K3E-TFD-830	B-34
P041-5301 	B-52	RR17K1-PFV-900	B-37	XCJ472HA	B-20	XRH482BA	B-23	ZP38K5E-PFV-830	B-33
P041-5302 	B-52	RR17K1-PFV-946	B-37	XCJ382BA	B-23	XRH482HA	B-22	ZP39K5E-PFV-830	B-33
P041-5309	B-52	SM115-3QAI	B-40	XCY382HA	B-22	XRH482HU	B-20	ZP39K5E-TF5-830	B-33
P041-5310	B-52	SM115-4QAI	B-40	XCY402HA	B-20	XRH542BA	B-23	ZP39K5E-TFD-830	B-34
P045-3521	B-24	SM125-3QAI	B-40	XCY422BA	B-23	XRH542BU	B-23	ZP41K3E-PFV-830	B-33
P051-0531	B-46	SM125-4QAI	B-40	XCY422HA	B-22	XRH542HU	B-20	ZP41K3E-PFV-830	B-33
P051-0731	B-46	SM175-3QAI	B-40	XCY452BA	B-23	XRH542HU	B-22	ZP41K3E-TF5-830	B-33
P051-0831	B-46	SM175-4QAI	B-40	XCY472BA	B-23	XRH582BU	B-23	ZP41K3E-TF5-930	B-34
P051-1031	B-46	SM185-3QAI	B-40	XGD320HA	B-24	XRH582HU	B-20	ZP41K3E-TFD-830	B-34
P051-1132	B-46	SM185-4QAI	B-40	XGD380HA	B-24	XRH582HU	B-22	ZP41K3E-TFD-930	B-34
P051-1231	B-46	SRH109AE	B-21	XGD410HA	B-24	XRH602BA	B-23	ZP41K3E-TFE-830	B-33
P051-1233	B-46	SRH109AU	B-21	XGE360HA	B-25	XRH602BE	B-23	ZP42K5E-PFV-830	B-33
P051-1432	B-46	SRH109BE	B-23	XGH382HA	B-24	XRH602BU	B-23	ZP44K3E-TF5-830	B-34
P051-1433	B-46	SRH109BU	B-23	XGH382HA	B-25	XRH602HA	B-22	ZP44K3E-TFD-830	B-34
P051-1531	B-46	SRH120AE	B-21	XGH412HA	B-24	XRH602HU	B-21	ZP44K3E-TFE-830	B-33
P051-1532	B-46	SRH120BE	B-23	XGH412HA	B-25	XRH602HU	B-22	ZP44KCE-PFV-830	B-33
P051-1534	B-46	SRH120BU	B-23	XGJ322HA	B-24	XRH812AE	B-21	ZP44KCE-PFV-930	B-33
P051-1837	B-46	SRH782AE	B-21	XGJ362HA	B-24	XRH812AE	B-22	ZP50K3E-PFV-830	B-33
P051-1838	B-46	SRH782AE	B-22	XGJ382HA	B-24	XRH812BE	B-23	ZP50K3E-PFV-830	B-33
P051-1839	B-46	SRH812AE	B-21	XGY322HA	B-21	XRJ542HA	B-21	ZP50K3E-TF5-830	B-34
P051-2033	B-46	SRH812AE	B-22	XGY362HA	B-24	XRJ582HA	B-21	ZP50K3E-TF5-930	B-34
P051-2331	B-46	SRH942AE	B-21	XGY382HA	B-24	XRJ602HA	B-21	ZP50K3E-TFD-830	B-34
P051-2432	B-45	SRH942AE	B-22	XGY412HA	B-24	XRY482HA	B-21	ZP51K3E-TFE-830	B-34
P051-2632	B-45	SRH942AU	B-21	XND440HA	B-24	XRY482HU	B-21	ZP51K5E-PFV-830	B-34
P051-2731	B-46	SRH942AU	B-22	XND490HA	B-24	XRY512HA	B-21	ZP51K5E-TFD-830	B-34
P051-3831	B-46	SRH942BU	B-23	XND560HA	B-24	XRY582HU	B-21	ZP54K3E-PFV-830	B-34
P051-5051	B-46	SRJ782AE	B-21	XNE540HA	B-25	XRY602HA	B-21	ZP54K3E-PFV-830	B-34
P051-5071	B-46	SRJ942AE	B-21	XNE560HA	B-25	XRY602HA	B-22	ZP54K3E-TF5-830	B-34
P107-0605CX	B-105	SRJ942AU	B-21	XNH442HA	B-24	XRY602HU	B-21	ZP54K3E-TF5-930	B-34
P107-0607CX	B-105	SRY120AE	B-21	XNH442HA	B-25	XRY602HU	B-22	ZP54K3E-TFD-830	B-34
P107-0610CX	B-105	SRY782AE	B-21	XNH492HA	B-24	ZP16K3E-PFV-830	B-33	ZP54K3E-TFD-930	B-34
P107-0615CX	B-105	SRY782AE	B-22	XNH492HA	B-25	ZP16K5E-PFV-830	B-33	ZP54K3E-TFE-830	B-34
P107-0620CX	B-105	SRY812AU	B-21	XNH512HA	B-24	ZP20K3E-PFV-830	B-33	ZP54K5E-PFV-830	B-34
P107-0625AX	B-105	SRY812AU	B-22	XNH512HA	B-25	ZP20K5E-PFV-830	B-33	ZP57K3E-PFV-830	B-34
P107-0630AX	B-105	SRY942AE	B-21	XNH542HA	B-24	ZP21K5E-PFV-830	B-33	ZP57K3E-TF5-830	B-34
P107-0840AX	B-105	SRY942AE	B-22	XNH542HA	B-25	ZP22KCE-PFV-930	B-33	ZP57K3E-TFD-830	B-34
P107-0850AX	B-105	SRY942AU	B-21	XNH562HA	B-24	ZP23K3E-PFV-830	B-33	ZP57K3E-TFE-830	B-34
P107-1065AX	B-105	SRY942AU	B-22	XNH562HA	B-25	ZP23K3E-PFV-930	B-33	ZP57KCE-PFV-930	B-34
P107-1075AX	B-105	SRY942BE	B-23	XNH562HE	B-25	ZP24K5E-PFV-830	B-33	ZP67KCE-TF5-830	B-34
P107-12110AX	B-105	SRY942BU	B-23	XNH562HE	B-24	ZP25K5E-PFV-830	B-33	ZP67KCE-TFD-830	B-34
P107-12140AX	B-105	T-133300B-1	B-76	XNH682AE	B-24	ZP26K3E-PFV-830	B-33	ZP67KCE-TFE-830	B-34
P107-12150AX	B-105	TLC-3-10	B-50	XNJ442HA	B-24	ZP26K3E-PFV-830	B-33	ZPS20K4E-PFV-830	B-33
P107-12200AX	B-105	TLC-3-12	B-50	XNJ492HA	B-24	ZP26K3E-TF5-830	B-33	ZPS30K4E-PFV-830	B-33
P107-1290AX	B-105	TLC-3-8	B-50	XNJ512HA	B-24	ZP26K3E-TF5-930	B-34	ZPS30K4E-TF5-830	B-33
P107-14140AX	B-105	TT1-001	B-54	XNJ542HA	B-24	ZP26K3E-TFD-830	B-34	ZPS30K4E-TFD-830	B-34

Compressors, Chillers & Condensers Table of Contents/Part Number Index

COMPRESSORS, CHILLERS & CONDENSERS Part Number Index

PART NO.	PAGE	PART NO.	PAGE	PART NO.	PAGE
ZPS40K4E-PFV-830	B-33	ZR34K3-TF5-930	B-28	ZR61K3-TFD-930	B-28
ZPS40K4E-TF5-830	B-33	ZR34K3-TFD-730	B-28	ZR61K3-TFE-930	B-31
ZPS40K4E-TFD-830	B-34	ZR34K3-TFD-830	B-28	ZR68KC-TF5-950	B-28
ZPS51K4E-PFV-830	B-34	ZR34K3-TFE-930	B-30	ZR68KC-TFD-950	B-28
ZPS51K4E-TF5-830	B-34	ZR38KA-PFV-830	B-30	ZR68KC-TFE-950	B-31
ZPS51K4E-TFD-830	B-34	ZR38KA-TF5-830	B-30	ZR72KC-TF5-950	B-28
ZR108KC-TF5-950	B-29	ZR38KA-TFD-830	B-28	ZR72KC-TF7-930	B-31
ZR108KC-TF7-950	B-31	ZR40K3-PFV-830	B-30	ZR72KC-TFD-830	B-29
ZR108KC-TFD-950	B-29	ZR40K3-PFV-930	B-30	ZR72KC-TFD-950	B-28
ZR108KC-TFE-950	B-31	ZR40K3-TF5-830	B-28	ZR72KC-TFE-950	B-31
ZR11M3-TWC-868	B-29	ZR40K3-TF5-930	B-28	ZR94KC-TF5-950	B-29
ZR11M3-TWD-868	B-29	ZR40K3-TFD-830	B-28	ZR94KC-TF7-950	B-31
ZR11M3-TWE-980	B-31	ZR40K3-TFD-930	B-28	ZR94KC-TFD-950	B-29
ZR125KC-TF5-950	B-29	ZR40K3-TFE-930	B-30	ZR94KC-TFE-950	B-31
ZR125KC-TF7-950	B-31	ZR42K3E-TF5-930	B-32	ZRS43K4-PFV-830	B-30
ZR125KC-TFD-950	B-29	ZR42K3E-TFD-930	B-32	ZRT162KC-TFD-980	B-29
ZR125KC-TFE-950	B-31	ZR42K3E-TFE-930	B-32	ZRT162KC-TFD-980	B-29
ZR12M3-TWC-822	B-29	ZR42K3-PFV-830	B-30	ZRU140KC-TF7-980	B-31
ZR12M3-TWD-822	B-31	ZR42K3-PFV-930	B-30		
ZR12M3-TWE-822	B-31	ZR42K3-TF5-830	B-28		
ZR144KC-TF5-950	B-29	ZR42K3-TF5-930	B-28		
ZR144KC-TF7-950	B-31	ZR42K3-TFD-830	B-28		
ZR144KC-TFD-950	B-29	ZR42K3-TFD-930	B-28		
ZR144KC-TFE-950	B-31	ZR42K3-TFE-930	B-30		
ZR16K4-PFV-830	B-30	ZR44KA-PFV-830	B-30		
ZR16K4-PFV-830	B-30	ZR44KA-TF5-830	B-30		
ZR16K4-PFV-830	B-30	ZR44KA-TFD-830	B-28		
ZR16M3-TW7-868	B-31	ZR45K3-TF5-830	B-30		
ZR16M3-TWC-922	B-29	ZR45K3-PFV-835	B-30		
ZR16M3-TWD-922	B-29	ZR45K3-PFV-835	B-30		
ZR16M3-TWE-922	B-31	ZR45K3-TFD-835	B-28		
ZR18K4-PFV-830	B-30	ZR45KC-TF5-835	B-28		
ZR18K4-PFV-830	B-30	ZR45KC-TF5-935	B-28		
ZR19M3-TWC-922	B-29	ZR45KC-TFD-935	B-28		
ZR19M3-TWD-922	B-29	ZR45KC-TFE-935	B-30		
ZR19M3-TWE-822	B-31	ZR47K3-PFV-835	B-30		
ZR21KA-PFV-830	B-30	ZR47KC-TFD-835	B-28		
ZR22K3-TF5-930	B-28	ZR48K3-PFV-935	B-30		
ZR22K3-TFD-930	B-28	ZR48K3-TF5-930	B-28		
ZR22K4-PFJ-930	B-30	ZR48K3-TFD-930	B-28		
ZR22K4-PFV-830	B-30	ZR48K3-TFE-930	B-30		
ZR22K4-PFV-930	B-30	ZR49K2-TFE-930	B-30		
ZR24K4-PFV-830	B-30	ZR52K4-PFV-830	B-30		
ZR24K4-PFV-930	B-30	ZR54K3-PFV-830	B-31		
ZR24K4-PFV-930	B-30	ZR54K3-TF5-930	B-28		
ZR250KC-TWC-951	B-29	ZR54K3-TFD-930	B-28		
ZR250KC-TWD-951	B-29	ZR54K3-TFE-930	B-30		
ZR250KC-TWE-951	B-31	ZR54KA-PFV-830	B-31		
ZR26K3-PFJ-930	B-30	ZR54KA-TF5-830	B-31		
ZR26K3-PFV-930	B-30	ZR54KA-TFD-830	B-28		
ZR26K3-TF5-930	B-28	ZR54KCE-TFD-230	B-32		
ZR26K3-TFD-930	B-28	ZR54KC-TF5-830	B-28		
ZR26KA-PFV-830	B-30	ZR57K3E-TF5-930	B-32		
ZR28K3-PFV-830	B-30	ZR57K3E-TFD-930	B-32		
ZR28K3-PFV-830	B-30	ZR57K3E-TFE-930	B-32		
ZR28K3-TF5-770	B-28	ZR57K3-PFV-830	B-31		
ZR28K3-TF5-830	B-30	ZR57K3-PFV-830	B-31		
ZR300KC-TWC-951	B-29	ZR57K3-TF5-830	B-31		
ZR300KC-TWD-951	B-29	ZR57K3-TF5-950	B-28		
ZR30K3-PFJ-930	B-30	ZR57K3-TFD-830	B-28		
ZR30K3-PFV-830	B-30	ZR57K3-TFD-950	B-28		
ZR30K3-TF5-930	B-28	ZR57K3-TFE-830	B-31		
ZR30K3-TFD-930	B-28	ZR57K3-TFE-950	B-31		
ZR32KA-PFV-830	B-30	ZR57KC-TFD-830	B-28		
ZR32KA-TF5-830	B-30	ZR61K3-PFV-830	B-31		
ZR32KA-TFD-830	B-28	ZR61K3-PFV-950	B-31		
ZR34K3-PFV-830	B-30	ZR61K3-TF5-830	B-28		
ZR34K3-PFV-830	B-30	ZR61K3-TF5-930	B-28		
ZR34K3-TF5-830	B-28	ZR61K3-TFD-830	B-28		

INFORMATION GUIDE

Unless otherwise noted, capacity ratings for air conditioning applications are:

Evaporator Temp	45° F
Condenser Temp	130° F
Liquid Temp	115° F
Return Gas Temp	65° F
Ambient Temp	95° F

Abbreviations:

CFM	Cubic Feet Per Minute
PWS	Part Wind Starting
SC	Sub-Cooling Temperature
SCT	Saturated Condenser Temperature
SGT	Actual Suction Gas Temperature
SST	Saturated Suction Temperature
XL	Across the Line Start

Tecumseh Compressor Notes:

High Efficiency Rating Conditions to be used only when "HE" follows capacity:

DO NOT Substitute a compressor rated at standard conditions with a TECUMSEH High Efficiency Compressor unless capacity ratings are adjusted. When substituting FOR or TO a "HE" compressor the capacity of the "HE" compressor **MUST BE** reduced 15%.

EXAMPLES:

1. Require a substitute for an 8000 BTU Compressor:

Select P031-0902 rated 9400E
 $9400 \times .85 = 7990$ BTUH

2. Require a substitute for P031-0902 rated 9400E BTUH:

$9400 \times .85 = 7990$ BTUH

Select an appropriate 8000 BTUH compressor to replace P031-0902

Compressors, Chillers & Condensers

Compressors,
Chillers, Condensers

Motors

Electrical

Heating
Components

Indoor Air
Quality

Thermostats

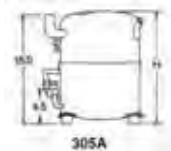
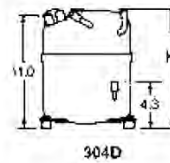
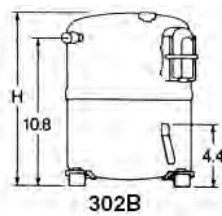
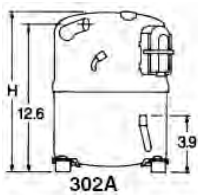
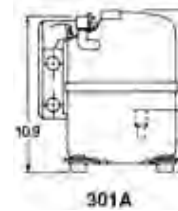
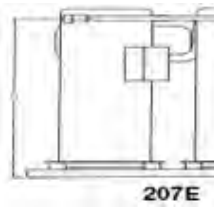
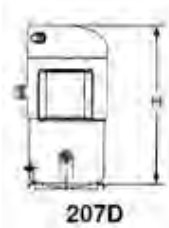
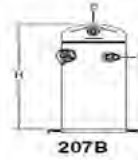
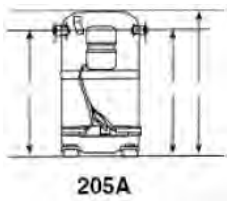
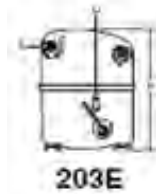
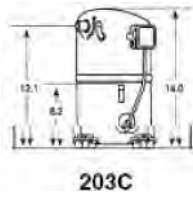
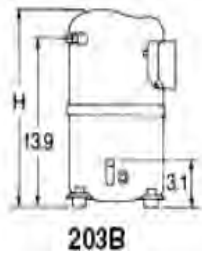
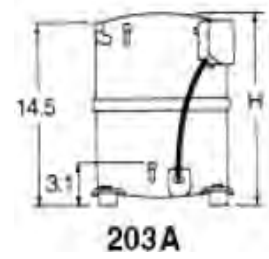
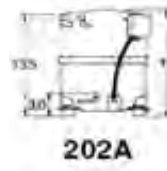
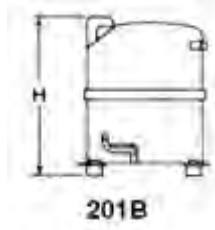
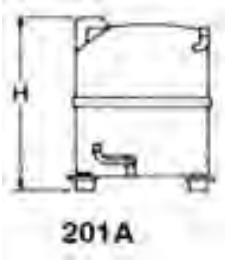
Oils &
Chemicals

Accessories, Supplies
& Commodities

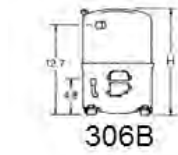
Tools &
Instruments

Refrigeration

DRAWING GUIDE



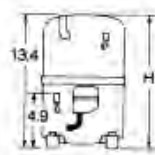
Compressors, Chillers & Condensers



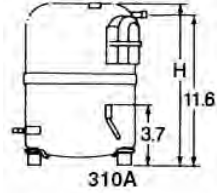
306B



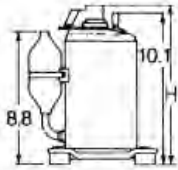
306C



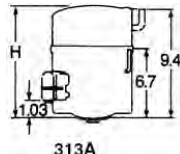
307A



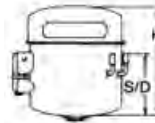
310A



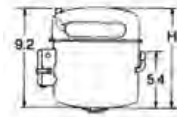
312A



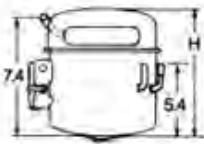
313A



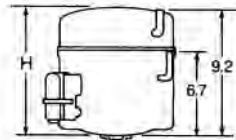
313B



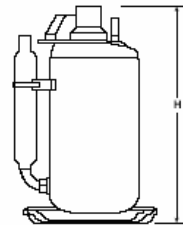
313C



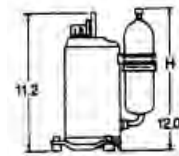
313D



314A



317A



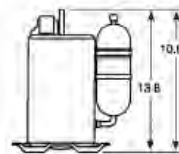
403A



403B



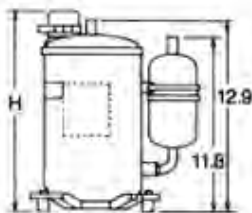
403C



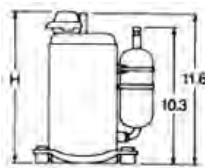
403E



403F



404B



404D



404E

Compressors,
Chillers, Condensers

Motors

Electrical

Heating
Components

Indoor Air
Quality

Thermostats

Oils &
Chemicals

Accessories, Supplies
& Commodities

Tools &
Instruments

Refrigeration

Compressors, Chillers & Condensers

Compressors,
Chillers, Condensers

Motors

Electrical

Heating
Components

Indoor Air
Quality

Thermostats

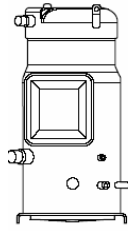
Oils &
Chemicals

Accessories, Supplies
& Commodities

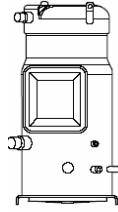
Tools &
Instruments

Refrigeration

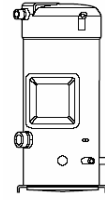
DRAWING GUIDE



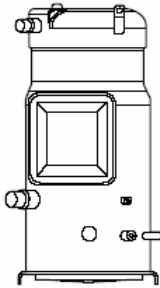
407B



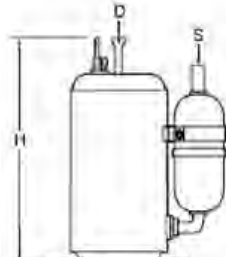
407B



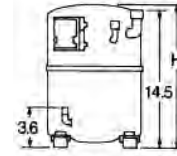
407D



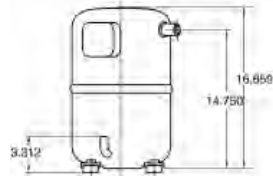
407E



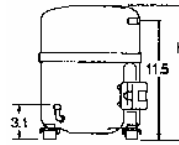
408B



501A

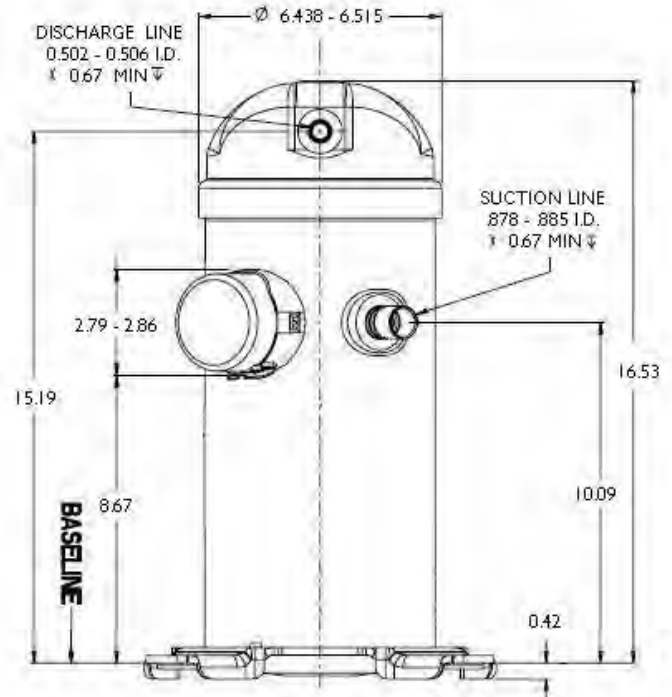
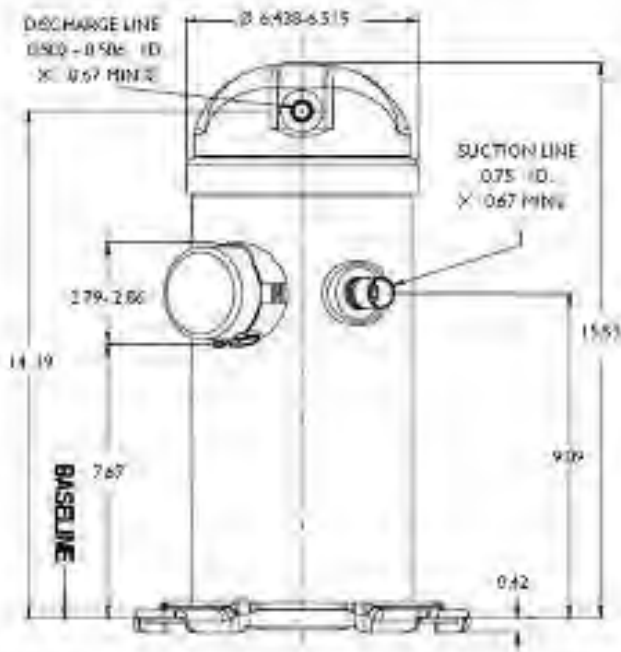
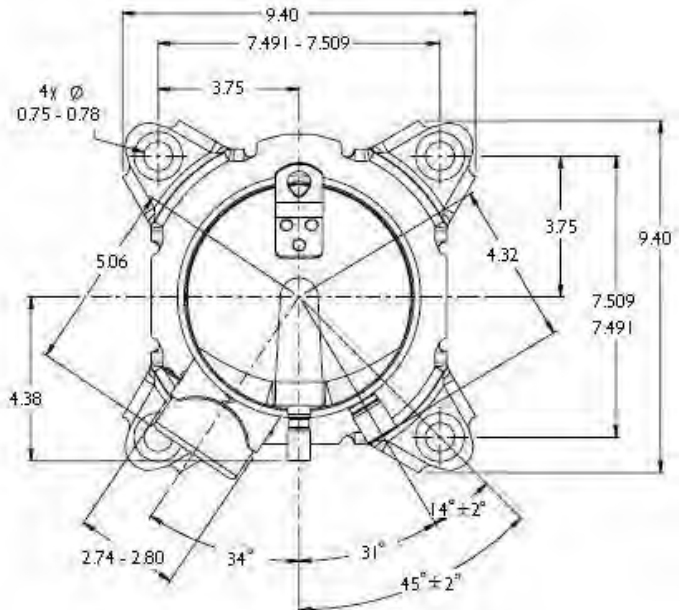
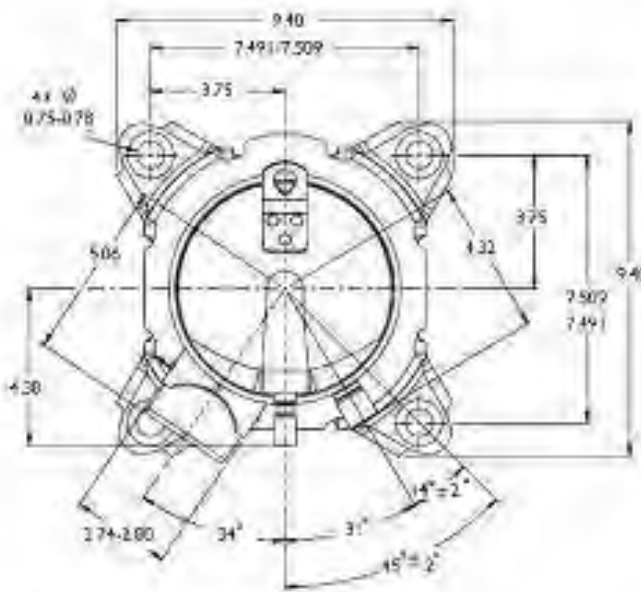


501B



503C

DRAWING GUIDE - SCROLL



A

B

Compressors,
Chillers, Condensers

Motors

Electrical

Heating
Components

Indoor Air
Quality

Thermostats

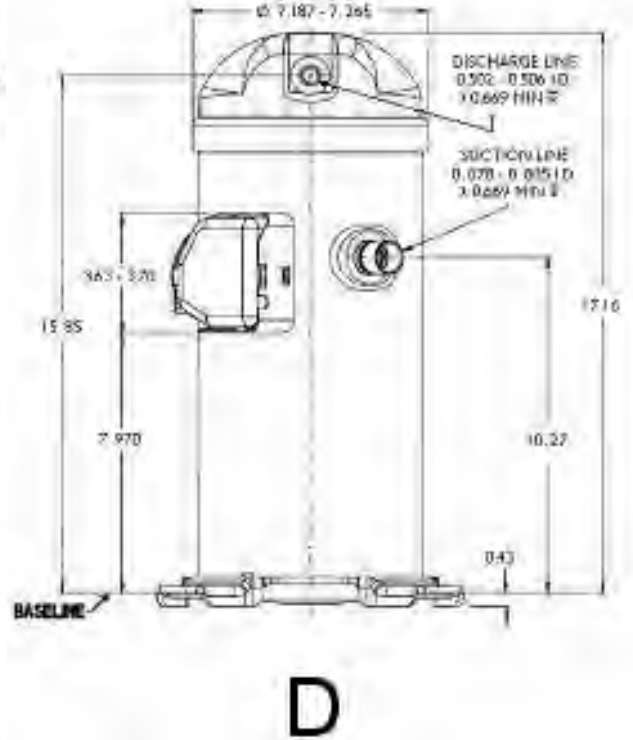
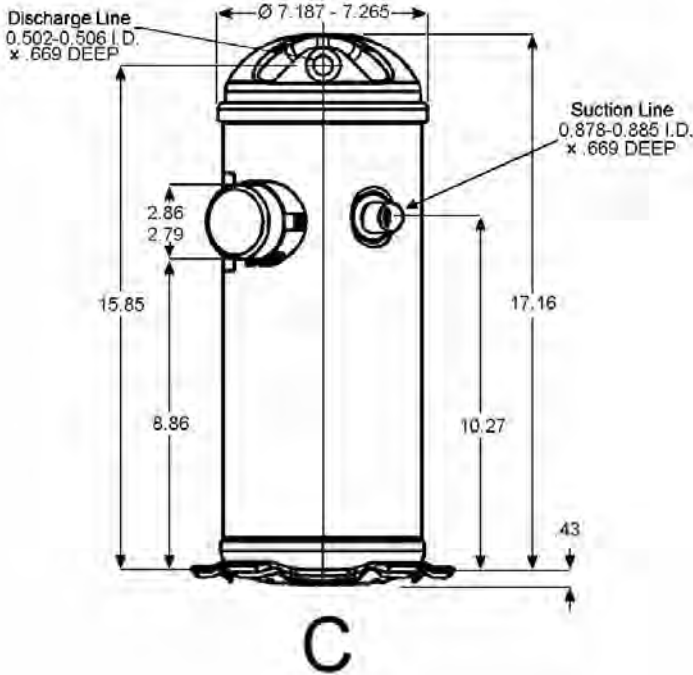
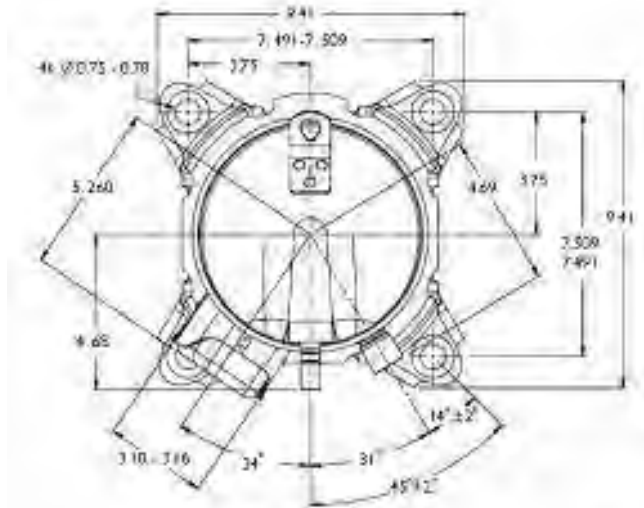
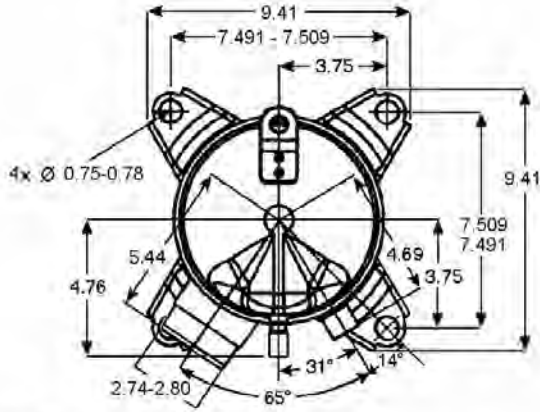
Oils &
Chemicals

Accessories, Supplies
& Commodities

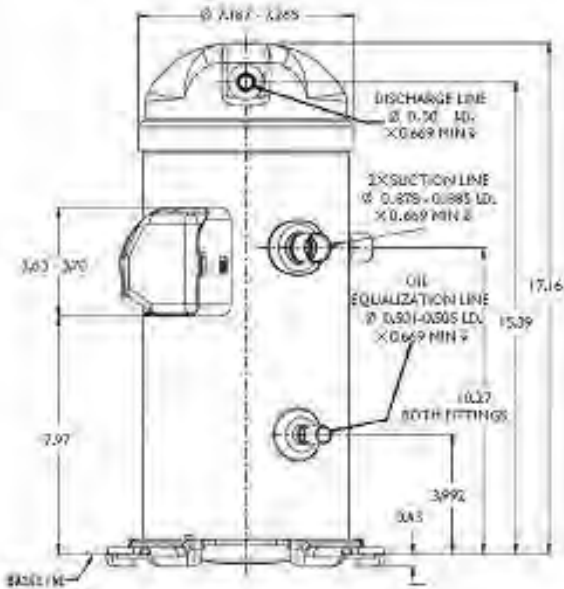
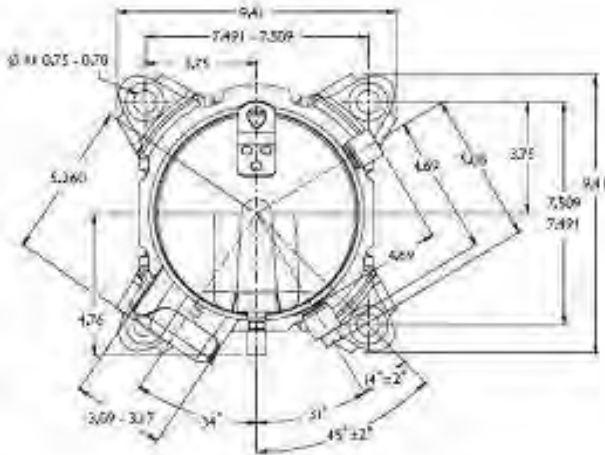
Tools &
Instruments

Refrigeration

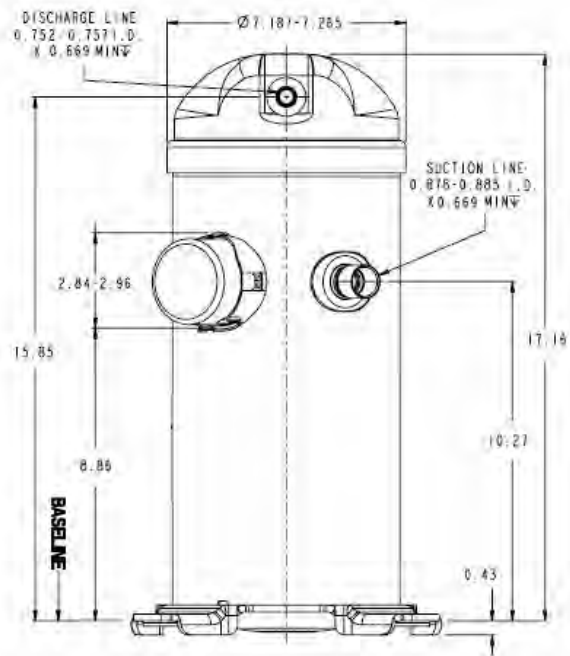
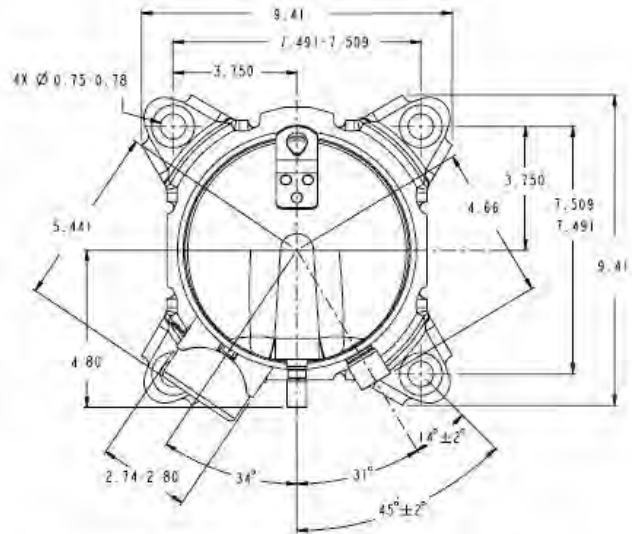
DRAWING GUIDE - SCROLL



DRAWING GUIDE - SCROLL



E



F

Compressors,
Chillers, Condensers

Motors

Electrical

Heating
Components

Indoor Air
Quality

Thermostats

Oils &
Chemicals

Accessories, Supplies
& Commodities

Tools &
Instruments

Refrigeration

Compressors, Chillers & Condensers

DRAWING GUIDE - SCROLL

Compressors,
Chillers, Condensers

Motors

Electrical

Heating
Components

Indoor Air
Quality

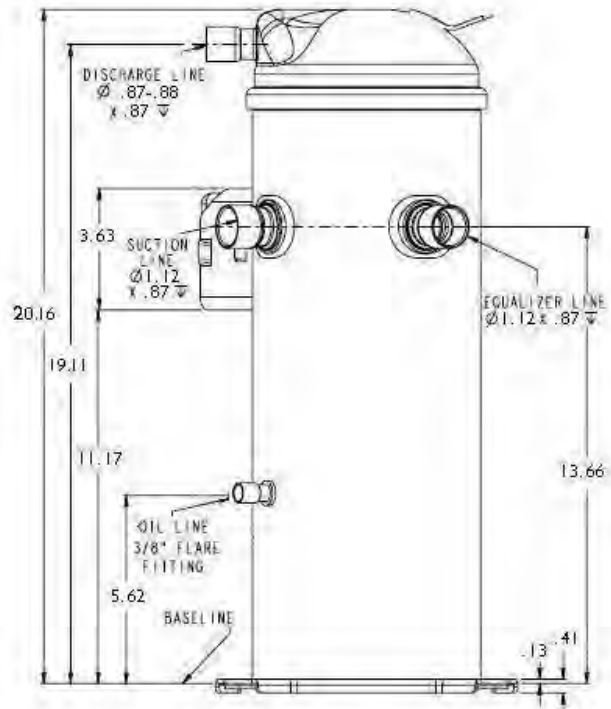
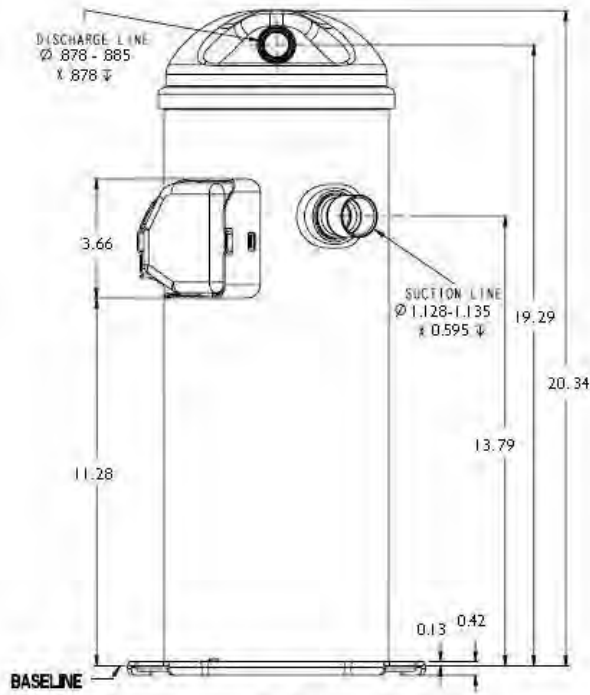
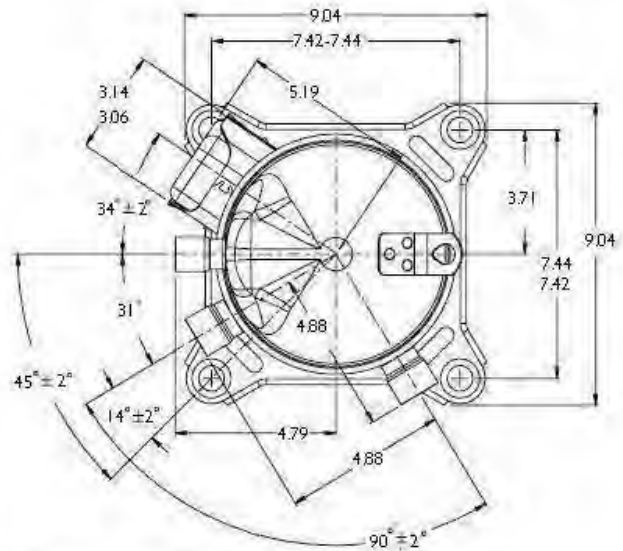
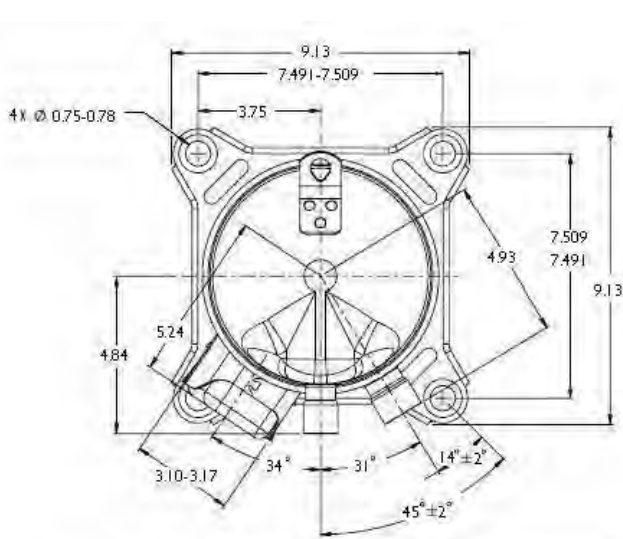
Thermostats

Oils &
Chemicals

Accessories, Supplies
& Commodities

Tools &
Instruments

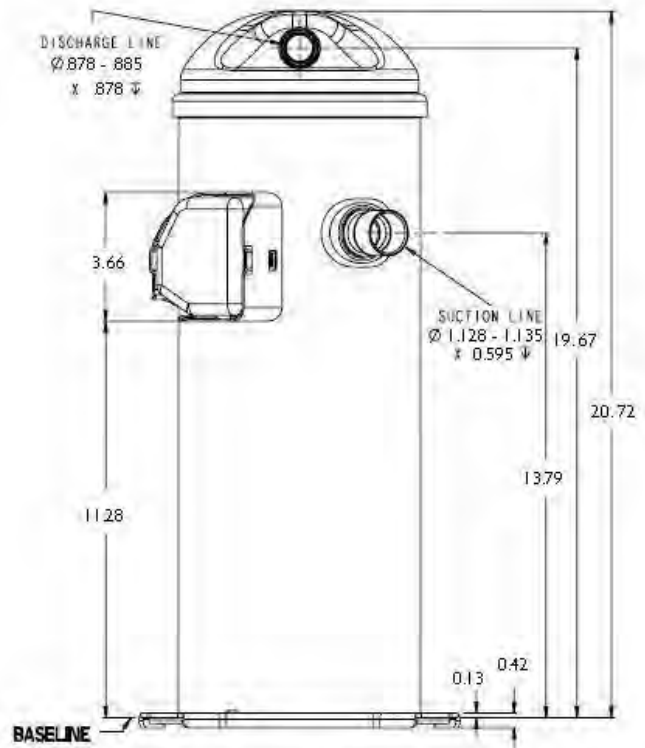
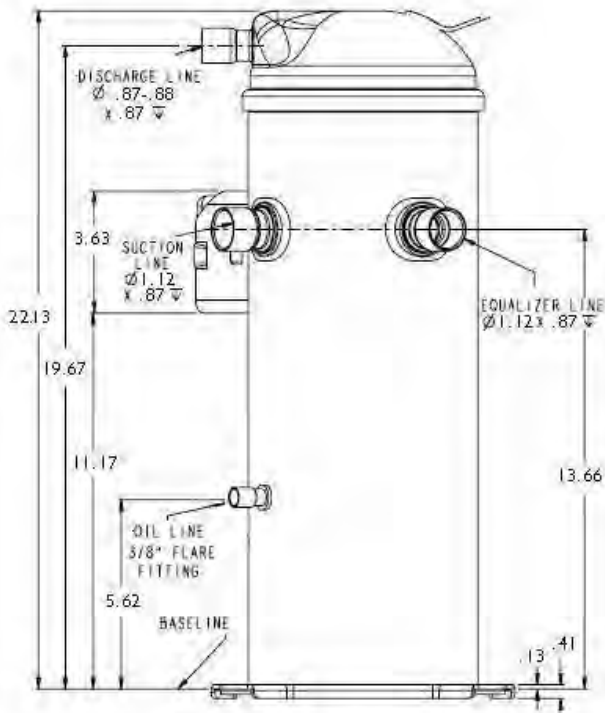
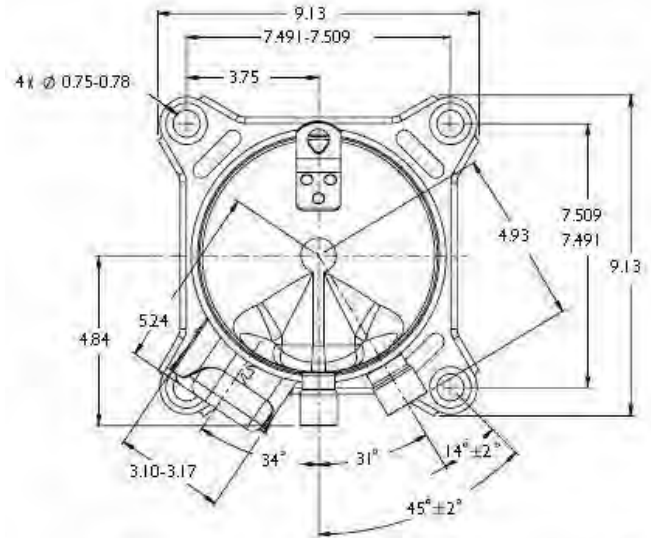
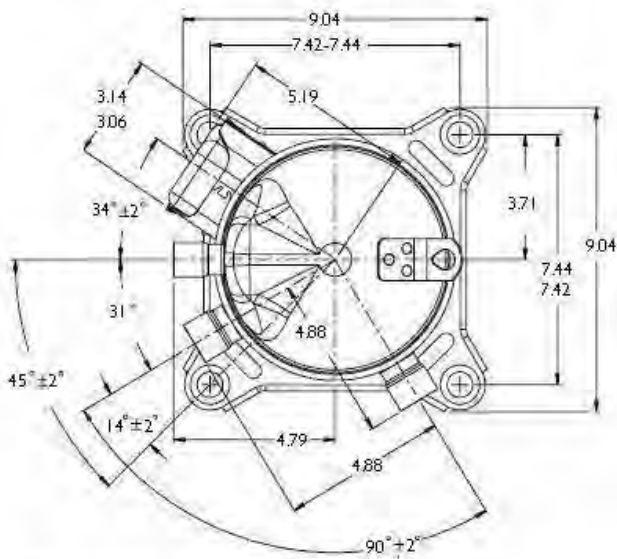
Refrigeration



G

H

DRAWING GUIDE - SCROLL



J

K

Compressors,
Chillers, Condensers

Motors

Electrical

Heating
Components

Indoor Air
Quality

Thermostats

Oils &
Chemicals

Accessories, Supplies
& Commodities

Tools &
Instruments

Refrigeration

Compressors, Chillers & Condensers

Compressors,
Chillers, Condensers

Motors

Electrical

Heating
Components

Indoor Air
Quality

Thermostats

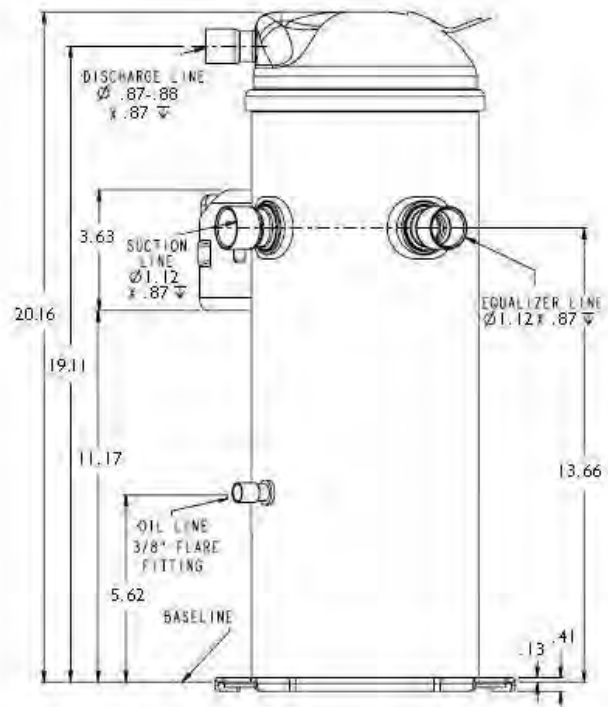
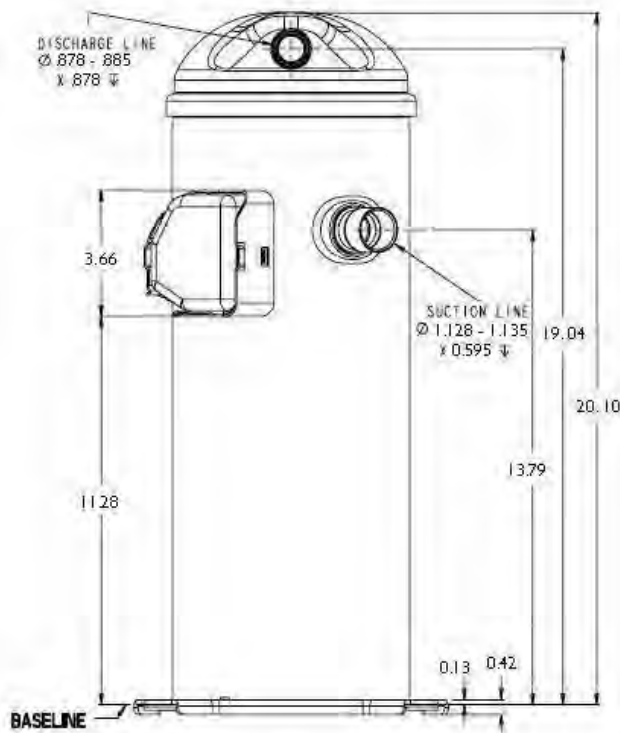
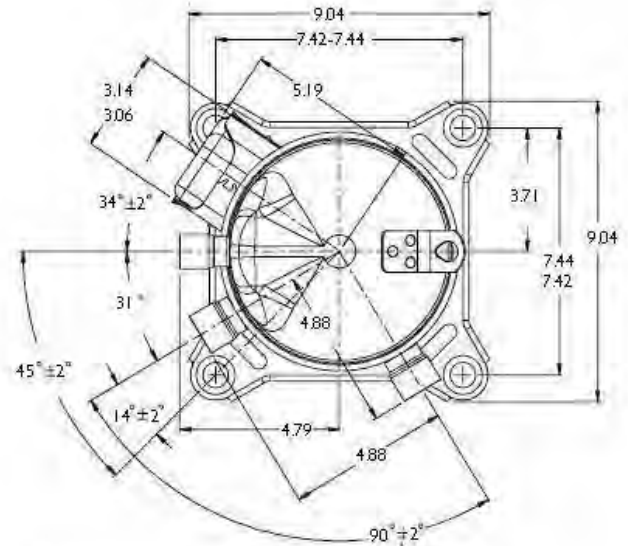
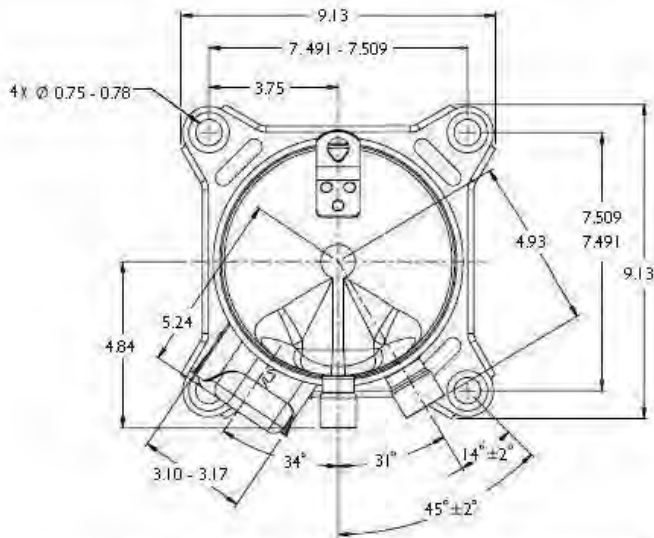
Oils &
Chemicals

Accessories, Supplies
& Commodities

Tools &
Instruments

Refrigeration

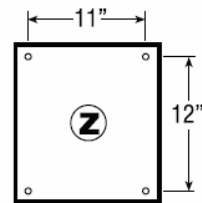
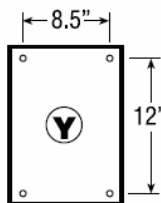
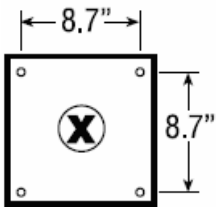
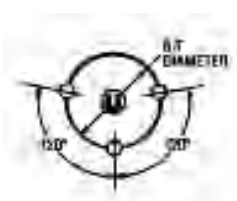
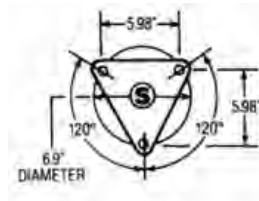
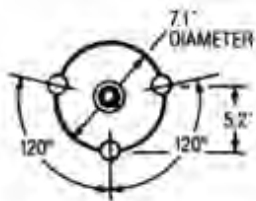
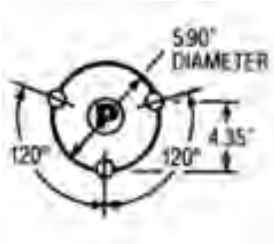
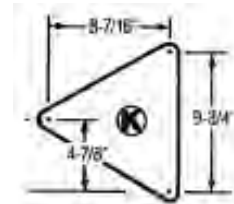
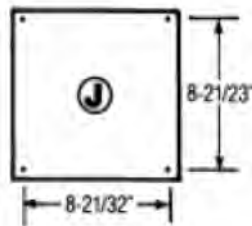
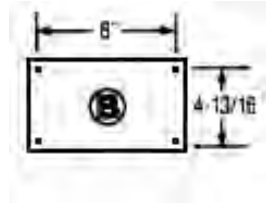
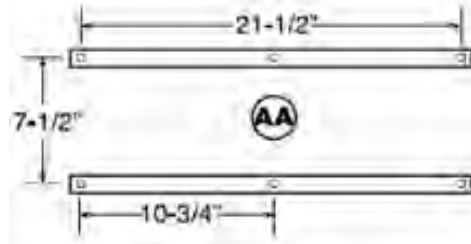
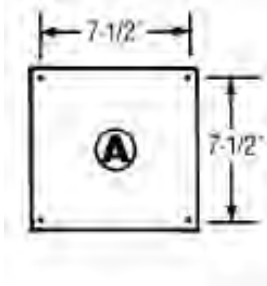
DRAWING GUIDE - SCROLL



L

M

MOUNTING GUIDE

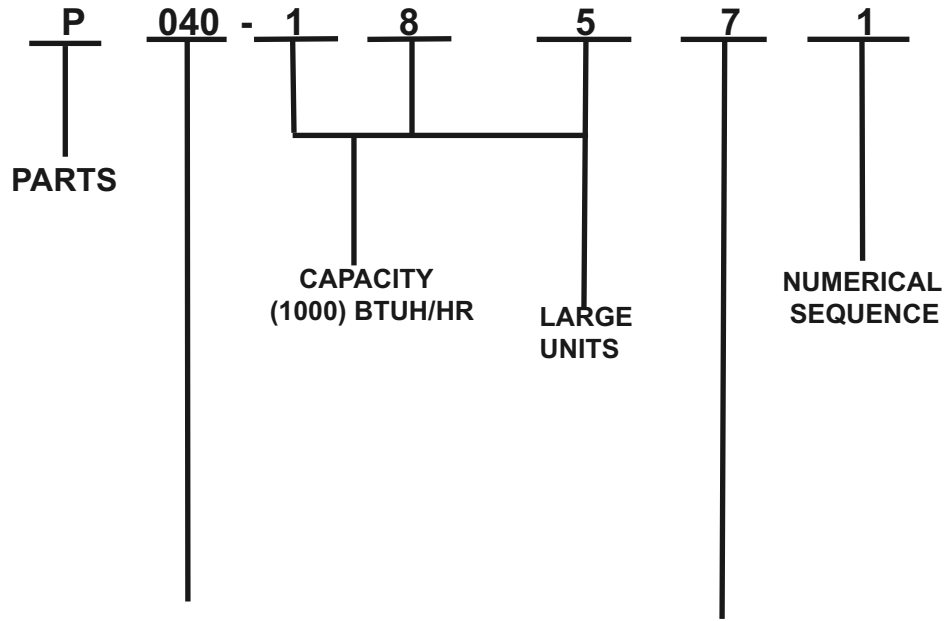


Compressors, Chillers & Condensers

Compressors,
Chillers, Condensers

NON-CARLYLE HERMETIC COMPRESSORS GUIDE TO PART NUMBERING SYSTEM:

Example:



PART CODE

- 030 - GOLDSTAR
- 031 - TECUMSEH
- 032 - BRISTOL
- 033 - DAEWOO
- 034 - MATSUSHITA/PANASONIC
- 035 - TOSHIBA
- 036 - SANYO
- 037 - MITSUBISHI
- 038 - HITACHI
- 039 - DELCHI
- 040 - MANEUROP
- 050 - COPELAND 50HZ
- 051 - TECUMSEH 50HZ

VOLTS

- 0 - 115/1
- 1 - 200/1
- 2* - 208-230/1-60 or
220/240-1-50
- 3 - 230/1
- 4 - 200/3
- 5* - 208-230/3-60 or
220/240-3-50
- 6 - 230/3
- 7 - 460/3
- 8 - 575/3
- 9 - MISC
265/1
277/1

* Different Prefix used for 50 Hz
See Part Code Column.

Motors

Electrical

Heating
Components

Indoor Air
Quality

Thermostats

Oils &
Chemicals

Accessories, Supplies
& Commodities

Tools &
Instruments

Refrigeration

Compressors, Chillers & Condensers

BRISTOL COMPRESSOR MODEL NUMBER SYSTEM Bristol Serial Number System:

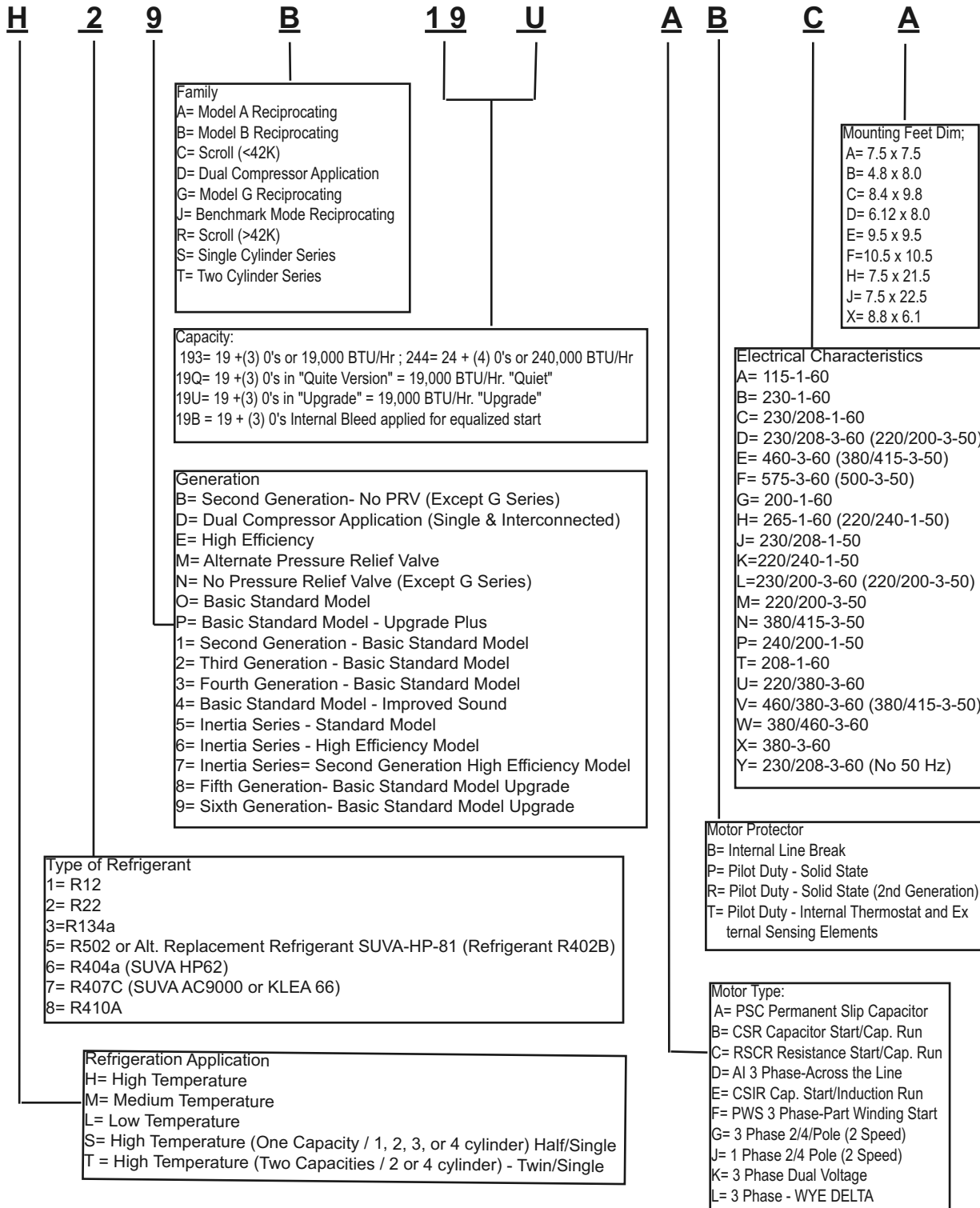
Bristol Serial Number System:

Reciprocating Compressors Serial Number System

108 02 2 00235

Julian Date of Manufacture: 108 = April 18th
Year Manufactured 02 = 2002

Mfg. Location: 0 or 2 = Bristol
Sequence # of Units Built During Week



Compressors,
Chillers, Condensers

Motors

Electrical

Heating
Components

Indoor Air
Quality

Thermostats

Oils &
Chemicals

Accessories, Supplies
& Commodities

Tools &
Instruments

Refrigeration

Compressors, Chillers & Condensers

Compressors,
Chillers, Condensers

Motors

Electrical

Heating
Components

Indoor Air
Quality

Thermostats

Oils &
Chemicals

Accessories, Supplies
& Commodities

Tools &
Instruments

Refrigeration

BRISTOL COMPRESSOR

SUBJECT: R22 Replacement Series

Bristol will phase out production of the H29B, H20J, H21J, H23A,, H28A, H29A and H2*G R22 compressors by December 31, 2009. All R22 compressors will be streamlined to H22J, H22A and H7*G.

The following chart shows the current and replacement models.

Capacity at 45/130	Current Model	Replacement Model
15,000 – 44,000	H29B, H20J, H21J	H22J
50,000 – 72,000	H23A/ H29A	H22A
88,000 – 253,000	H2NG/H2BG	H7NG/H7BG

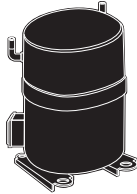
These changes will not diminish Bristol's product offering. Bristol will continue to maintain the wide variety of reciprocating product in our market. The goal is to streamline our product offering while improving delivery, quality, and service to our valued customers.

Your Bristol Account Manager will provide you with a cross-reference including the new and old model number and current pricing. If you have not received this information, please contact your Bristol representative immediately.

Detailed performance information can be found on our website www.bristolcompressors.com under the heading "Bristol products".
Product Marketing Bulletin

HERMETIC RECIP

BRISTOL
R-22, 60 HZ



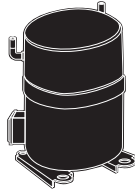
- For Heat Pump & Air Conditioning duty
- Low Noise & Vibration levels
- Inherent motor protection
- Improved sound levels **
- R-22

PART NO	SUPPLIER PART NO	BTUH	VOLTS	PH	HZ	RLA	H	DWG	MTG ARR	RUN CAP MFD/VOLTS	RUN CAP PART NO	ST CAP MFD/VOLTS	ST CAP PART NO
P032-1523	H20J153ABCA	15100	208/230	1	60	6.2	13.3	503C	A	30/370	P291-3003	145-175/250	P281-1455
P032-1524	H22J15BABCA	15500	208/230	1	60	6.7	13.3	503C	A	30/370	P291-3003	161-193/250	P281-1615
P032-1724	H29B18UABCB	18300	208/230	1	60	7.4	13.3	503C	A	30/370	P291-3003	161-193/250	P281-1615
P032-1820	H22J18BABCA	18300	208/230	1	60	7.4	13.3	503C	A	30/370	P291-3003	161-193/250	P281-1615
P032-2229	H22J22BABCA	22600	208/230	1	60	9.6	13.3	503C	A	30/370	P291-3003	145-175/250	P281-1455
P032-2124	H20J213ABCA	21100	208/230	1	60	8.8	13.3	503C	A	30/370	P291-3003	145-175/250	P281-1455
P032-2227	T21J225CBCA	22100	208/230	1	60	9.1	15.8	501C	A	30/440	P291-3004	216-259/330	P281-2166
P032-2429	H22J25BABCA	24200	208/230	1	60	9.6	13.8	503B	A	35/370	P291-3503	145-175/250	P281-1455
P032-2428	H20J253ABCA	24200	208/230	1	60	9.8	13.8	503B	A	35/370	P291-3503	145-175/330	P281-1456
P032-2625	H29B26UABCB	26700	208/230	1	60	11	13.8	503B	A	35/370	P291-3503	145-175/250	P281-1455
P032-2829	H22J29BABCA	28800	208/230	1	60	12	13.8	503B	A	35/370	P291-3503	145-175/250	P281-1455
P032-3121	H22J33BABCA	31900	208/230	1	60	13	14.3	503C	A	40/370	P291-4003	145-175/250	P281-1455
P032-3526	H22J36BABCA	35700	208/230	1	60	14	14.3	501B	A	45/370	P291-4503	145-175/250	P281-1455
P032-3723	H20J383ABCA	37800	208/230	1	60	15	15.5	501B	A	45/370	P291-4503	189-227/250	P281-1895
P032-3721	H22J38BABCA	37800	208/230	1	60	15	216	501B	A	45/370	P291-4503	189-227/250	P281-1895
P032-4021	H22J41BABCA	40900	208/230	1	60	17	15.5	501B	A	50/370	P291-5003	216-259/330	P281-2166
P032-4421	H22J44BABCA	44300	208/230	1	60	18	15.5	501B	A	65/370	NR	216-259/330	P281-2166
P032-4481	H22J443DBFA	44100	575	3	60	4.6	15.5	501B	A	NR	NR	NR	NR
P032-4982	H25A50QDBFA	49100	575	3	60	5.2	17.4	501B	A	NR	NR	NR	NR
P032-4983	H29A503DBFA	50700	575	3	60	4.9	17.4	501B	A	NR	NR	NR	NR
P032-5021	H23A503ABCA	49000	208/230	1	60	22	16.1	501B	A	40/440	P291-4004	135-155/330	P281-1356
P032-5722	H28A583CBCA	56500	208/230	1	60	25	16.1	501A	A	60/370	P291-6003	270-324/330	P281-2706
P032-5883	H22A563DBFA	55600	575	3	60	6.4	16.1	501A	A	N/R	N/R	N/R	NR
P032-5723	H22A583ABCA	57100	208/230	1	60	27	16.1	501B	A	55/440	P291-5504	135-155/330	P281-1356
P032-6022	H22A623ABCA	60800	208/230	1	60	28	16.1	501A	A	55/440	P291-5504	135-155/330	P281-1356

Compressors, Chillers & Condensers

HERMETIC RECIP

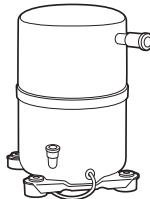
BRISTOL
R-22, 50/60 HZ



PART NO	SUPPLIER PART NO	BTUH	VOLTS	RLA	H	DWG	MTG ARR	RUN CAP PART NO	ST CAP PART NO
P032-2651	H23A263DBLA	26000	200/230	7.4	14.9	501B	A	NR	NR
P032-2751	H22J293DBLA	28000	200/230	7.8	13.8	503C	A	NR	NR
P032-2871	H29B28UDBVA	28300	460	4.1	13.2	503C	A	NR	NR
P032-3171	H23A323DBEA	31700	460	4.6	14.6	501B	A	NR	NR
P032-3252	H23A323DBLA	31700	200/230	9.4	14.6	501A	A	NR	NR
P032-3254	H29B32UDBLA	32400	200/230	9	14.3	503C	A	NR	NR
P032-3271	H29B32UDBEA	31600	460	4.5	14.3	503C	A	NR	NR
P032-3553	H22J363DBLA	35000	200/230	9.6	14.3	501B	A	NR	NR
P032-3475	H22J363DBVA	34400	460	4.9	14.3	501B	A	NR	NR
P032-3753	H22J383DBLA	37500	200/230	10.2	15.5	501B	A	NR	NR
P032-3773	H22J383DBVA	37500	460	5	15.5	501B	A	NR	NR
P032-3853	H28A383DBLA	38650	200/230	10.4	16.1	501B	A	NR	NR
P032-3872	H23A383DBEA	37900	460	5.2	14.6	501A	A	NR	NR
P032-4051	H22J413DBLA	40500	200/230	11	15.5	501B	A	NR	NR
P032-4172	H22J413DBEA	40400	460	5.4	15.5	501B	A	NR	NR
P032-4452	H22J443DBDA	44100	208/230	11.7	15.5	501A	A	NR	NR
P032-4471	H22J443DBEA	44100	460	5.8	15.5	501A	A	NR	NR
P032-4956	H22A503DBLA	49000	200/230	13.7	16.1	501B	A	NR	NR
P032-4975	H22A503DBEA	49000	460	6.8	16.1	501B	A	NR	NR
P032-5451	H29A543DBLA	54600	200/230	13.7	17.4	501B	A	NR	NR
P032-5854	H22A563DBLA	55600	200/230	15.3	16.1	501A	A	NR	NR
P032-5871	H22A583DBEA	58400	460	7.9	16.1	501A	A	NR	NR
P032-5872	H22A623DBEA	60800	460	8.5	16.1	501B	A	NR	NR
P032-6051	H22A623DBLA	60800	200/230	17	16.1	501B	A	NR	NR
P032-6271	H23A623DBEA	60800	460	8.5	16.1	501A	A	NR	NR

HERMETIC RECIP

BRISTOL
R-410A, 60 HZ



- For Heat Pump and Air Conditioning duty
- Low Noise and Vibration Levels
- Inherent Motor protection
- Improved Sound Levels
- 60 Cycles
- 208/230 V Single Phase
- R-410A

PART NO	SUPPLIER PART NO	BTUH	RLA	H	DWG	MTG ARR	RUN CAP MFD/VOLTS	RUN CAP PART NO	ST CAP MFD/VOLTS	ST CAP PART NO	ST RELAY PART NO
P032-1829	T81J195CBCA	18300	11.4	15.6	501C	A	30/440	P291-3004	216-259/330	P281-2166	HN71PC003
P032-1926	T89B194CBCA	19250	11.9	14.3	503C	A	25/440	P291-2504	SPECIAL RELAY	KICKSTART	HC95DA175
P032-2722	T89B284CBCA	27200	15	14.3	503C	A	45/440	P291-4504	SPECIAL RELAY	KICKSTART	HC95DA700
P032-2723	T81J285CBCA	27700	14.3	15.6	501C	A	40/440	P291-4004	238-262/330	HC95DE041	HN71PC003
P032-3026	H82J303ABCA	30800	13	15	503C	A	45/370	P291-4503	189227/250	NR	NR
P032-3525	T81J384CBCA	35500	25	15.6	501C	A	55/440	P291-5504	238-262/330	HC95DE041	HN71PC003
P032-3722	T89B385CBCA	37600	22	14.3	503C	A	55/440	P291-5504	SPECIAL RELAY	KICKSTART	HC95DA700
P032-5121	T89A514BBBCA	51470	28.6	17.4	501B	A	55/370	P291-5503	SPECIAL RELAY	KICKSTART	HC95DA401
P032-5122	T89A514BBBCA	51900	29.3	17.4	501A	A	55/370	P291-5503	SPECIAL RELAY	KICK START	HC95DA401
P032-5221	T89A515BBBCA	52700	28.2	17.4	501C	A	55/370	P291-5503	324-356/330	HC95DE042	HN71PC003

Compressors, Chillers & Condensers

PART NUMBERING GUIDE

HERMETIC

SCROLL

CARLYLE/DANFOSS

CARLYLE SCROLL COMPRESSOR

GUIDE TO PART NUMBERING SYSTEM:

EXAMPLE:

S C D 3 4 0 A C

COMPRESSOR FAMILY / SERIES

- S - 1ST GENERATION
- X - 2ND GENERATION

REFRIGERANT TYPE & FRAME SIZE

SMALL FRAME

- C - R-22 / R-407C, SMALL FRAME
- G - R-410A, SMALL FRAME

LARGE FRAME

- N - R-410A, LARGE FRAME
- R - R-22 / R-407C, LARGE FRAME

ELECTRICAL CODES

- D - 208/230-1-60
- E - 220/240-1-50
- Y - 203/230-3-60
- T - 346/380-3-50/60
- H - 400/460-3-50/60
- J - 575-3-60

MANUFACTURING VARIABLE

- A - BASE DESIGN
- C - INTERNAL RELIEF/ T-STAT
- E - 'RING' TYPE TERMINALS
- F - SIGHT GLASS (CML ONLY)
- R - WARRANTY REPLACEMENT
- T - TANDEM MODEL (FLARE OIL CONN.)
- U - TANDEM MODEL (SWEAT OIL CONN.)

APPLICATION VARIABLE

- A - STANDARD EFFICIENCY
- B - ALTERNATE OIL FOR R-407C
- E - ECONOMIZED
- H - HIGH EFFICIENCY

MOTOR VARIABLE

- 0 - SINGLE PHASE
- 2 - 3 PH. DESIGN CHANGE

NOMINAL CAPACITY

4TH & 5TH DIGITS x 1000 = RTU/H

NOTE: 6TH DIGIT IS ALSO USED IF NOMINAL

CAPACITY IS GREATER THAN 100,000

Compressors, Chillers & Condensers

PART NUMBERING GUIDE

HERMETIC

SCROLL

CARLYLE/DANFOSS

Danfoss Serial Numbers Update

(All compressors except Performer H series & MLM/ MLZ)

Starting from January 2010, the serial number system for Danfoss Commercial Compressors products has been updated. This update mainly applies to the year code for which the old system ended at 2009.

Example:	A Year Code		B Month Code		12 Plant assembly line code		12345678 8 digits serial number	
Year code	1990	A	2000	L	2010	A	2020	L
	1991	B	2001	M	2011	B	2021	M
	1992	C	2002	N	2012	C	2022	N
	1993	D	2003	P	2013	D	2023	P
	1994	E	2004	Q	2014	E	2024	Q
	1995	F	2005	R	2015	F	2025	R
	1996	G	2006	S	2016	G	2026	S
	1997	H	2007	T	2017	H	2027	T
	1998	J	2008	U	2018	J	2028	U
	1999	K	2009	V	2019	K	2029	V

Month code

January	A
February	B
March	C
April	D
May	E
June	F

July	G
August	H
September	J
October	K
November	L
December	M

Plant assembly line code

Trévoux, France	10, 23, 24
Anse, France	11, 12, 13
Lawrenceville, USA	14, 15, 26

Wuqing, China	25, 27
Arkadelphia, USA	28

8 Digit Serial number

The serial number continues to increment from existing counters.

Performer H series, & MLM/MLZ

The serial number system for Performer H series and MLM/MLZ is different from the above and remains unchanged.

Example:

S	03	09	K	12345
Scroll	Production Week	Production Year	Arkadelphia Facility	Incremental Number

Compressors, Chillers & Condensers

Compressors, Chillers, Condensers

Motors

Electrical

Heating Components

Indoor Air Quality

Thermostats

Oils & Chemicals

Accessories, Supplies & Commodities

Tools & Instruments

Refrigeration

PART NUMBERING GUIDE

HERMETIC

SCROLL

CARLYLE/DANFOSS

Nomenclature

Danfoss Scroll compressor model numbers have significance as indicated below:

Type | **Size** | **Motor** | **Features**
HRH | **036** | **U1L** | **P6**

Application

H: high temperature air conditioning
E: with economizer

Family

D: residential scroll
C: light commercial scroll
R: residential scroll (new platform)
L: light commercial scroll (new platform)

Refrigerant and lubricant

M: R-22, mineral or alkylbenzene oil
P: R-407C, POE lubricant
H: R-410A, POE lubricant
J: R-410A, PVE lubricant

Nominal capacity

In thousands of Btu/h @ 60Hz, ARI conditions

Model variation

T: design optimized for 7.2/54.4 (45/130)
U: design optimized for 7.2/37.8 (45/100)

Other features

	Oil sight glass	Oil equalization	Oil drain	LP gauge port
2	None	None	None	Schrader
5	Thread	Rotolock	NPT	Schrader
6	None	None	None	None
7	Thread	None	None	None
8	None	Brazed	None	None

Tubing and electrical connections

P: brazed connections, spade terminals
C: brazed connections, screw terminals
R: rotolock connections, screw terminals

Motor protection

L: internal motor protection

Motor voltage code

1: 208-230 V 1~ 60 Hz
2: 208-230 V 3~ 60 Hz
4: 380-400 V 3~ 50 Hz and 460 V 3~ 60 Hz
5: 220-240 V 1~ 50 Hz and 265 V 1~ 60 Hz
7: 500 V 3~ 50 Hz and 575 V 3~ 60 Hz
9: 380 V 3~ 60 Hz

Voltage

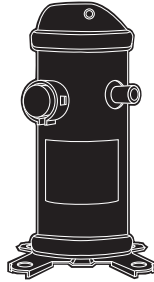
Voltage Codes	Copeland	Danfoss
208-230V/1~/60Hz	PFV	1
208-230V/3~/60Hz	TFC or TF5	2
380V/3~/60Hz & 460V/3~/60Hz	TFD	4

Note on SEER ratings:

The Scroll Tech compressors have motors optimized for the different SEER ratings. Use motor variation «U» for 13 SEER applications and «T» for 10 SEER

Compressors, Chillers & Condensers

HERMETIC SCROLL CARLYLE/DANFOSS R-22, 60HZ



- High efficiency
- AC/HP Application
- Low sound and vibration levels
- R22
- High reliability
- 60 Cycles
- Compact and lightweight

NOTE: Run Capacitors listed are "Single" type. If a "Dual" type capacitor is required check "Capacitors" Section of this catalog.

PART NO	BTUH	OLD PART NO	REFR	VOLTS	PH	HZ	RLA	LRA	DWG	RUN CAP MFD/VOLT	RUN CAP PART NO	ST CAP MFD/VOLT	ST CAP PART NO
HRM038U1LP6	38010	XCD380HA	R-22	208/230	1	60	19.5	105	A	55/370	P291-5503	88-108/330	P281-8806
HRM040U1LP6	40100	XCD400HA	R-22	208/230	1	60	21	115	A	60/370	P291-6004R	88-108/330	P281-8806
HRM042U1LP6	42017	XCD420HA	R-22	208/230	1	60	27	97	A	60/370	P291-6004R	88-108/330	P281-8806
HRM045U1LP6	45014	XCD450HA	R-22	208/230	1	60	23	115	B	60/370	P291-6004R	88-108/330	P281-8806
XCD470HA	48000		R-22	208/230	1	60	24.4	120	B	60/370	P291-6004R	88-108/250	P281-8805
XCH382HA	38400		R-22	460	3	60	6.4	45	A	--	--	--	--
HRM040U4LP6	40011	XCH402HA	R-22	460	3	60	6.4	45	A	--	--	--	--
XCH422HA	42400		R-22	460	3	60	7.1	45	A	--	--	--	--
HRM045U4LP6	45015	XCH452HA	R-22	460	3	60	7.7	50	B	--	--	--	--
XCH472HA	48000		R-22	460	3	60	7.7	50	B	--	--	--	--
XCJ382HA	38400		R-22	575	3	60	5.4	38	A	--	--	--	--
XCJ402HA	40400		R-22	575	3	60	6	38	A	--	--	--	--
XCJ422HA	42400		R-22	575	3	60	5.8	38	A	--	--	--	--
XCJ452HA	45500		R-22	575	3	60	6	40	B	--	--	--	--
XCJ472HA	48000		R-22	575	3	60	6.4	40	B	--	--	--	--
HRM038U2LP6	38011	XCY382HA	R-22	208/230	3	60	12.2	95	A	--	--	--	--
XCY402HA	40400		R-22	208/230	3	60	12.8	95	A	--	--	--	--
HRM042U2LP6	42400	XCY422HA	R-22	208/230	3	60	14.1	95	A	--	--	--	--
HRM045U2LP6	45015	XCY452HA	R-22	208/230	3	60	16	115	B	--	--	--	--
HRM047U2LP6	47524	XCY472HA	R-22	208/230	3	60	16	115	B	--	--	--	--
HRM048U1LP6	47719	XRD480HA	R-22	208/230	1	60	26.6	150	C	60/370	P291-6004R	161-193/250	P281-1895
XRD510HA	51800		R-22	208/230	1	60	25.6	150	C	70/370	P291-7013RS	161-193/250	P281-1895
HRM054U1LP6	53720	XRD540HA	R-22	208/230	1	60	25	150	C	70/370	P291-7013RS	161-193/250	P281-1895
XRD540HE	54200		R-22	208/230	1	60	25	150	D	60/370	P291-6004R	161-193/250	P281-1895
HRM058U1LP6	57721	XRD580HA	R-22	208/230	1	60	28.8	145	C	80/370	P291-8003	189-227/250	--
XRD580HE	58300		R-22	208/230	1	60	28.8	145	D	80/370	P291-8003	175-216/250	--
HRM060U1LP6	59774	XRD600HA	R-22	208/230	1	60	28.8	145	C	80/370	P291-8003	175-216/250	--
XRD600HE	60400		R-22	208/230	1	60	28.8	145	D	80/370	P291-8003	175-216/250	--
XRD680AA	69500		R-22	208/230	1	60	29	145	C	80/370	P291-8003	175-216/250	--
XRD720AA	73100		R-22	208/230	1	60	29	145	C	80/370	P291-8003	175-216/250	--
XRD750AA	76300		R-22	208/230	1	60	29	145	C	80/370	P291-8003	175-216/250	--
XRD810AA	79800		R-22	208/230	1	60	35	145	F	80/370	P291-8003	175-216/250	--
HRM048U4LP6	47218	XRH482HA	R-22	460	3	60	8	55	C	--	--	--	--
XRH482HU	47700		R-22	460	3	60	8	60	E	--	--	--	--
HRM054U4LP6	53720	XRH542HA	R-22	460	3	60	8.4	62	C	--	--	--	--
XRH542HU	54200		R-22	460	3	60	8.4	62	E	--	--	--	--
HRM058U4LP6	57823	XRH582HA	R-22	460	3	60	9.6	70	C	--	--	--	--
XRH582HU	58400		R-22	460	3	60	9.6	70	E	--	--	--	--
HRM060U4LP6	59724	XRH602HA	R-22	460	3	60	9.6	70	C	--	--	--	--

Compressors,
Chillers, Condensers

Motors

Electrical

Heating
Components

Indoor Air
Quality

Thermostats

Oils &
Chemicals

Accessories, Supplies
& Commodities

Tools &
Instruments

Refrigeration

Compressors, Chillers & Condensers

Compressors,
Chillers, Condensers

**HERMETIC
SCROLL
CARLYLE/DANFOSS**
R-22, 60HZ

Motors

Electrical

Heating
Components

Indoor Air
Quality

Thermostats

Oils &
Chemicals

Accessories, Supplies
& Commodities

Tools &
Instruments

Refrigeration

PART NO	BTUH	OLD PART NO	REFR	VOLTS	PH	HZ	RLA	LRA	DWG	RUN CAP MFD/VOLT	RUN CAP PART NO	ST CAP MFD/VOLT	ST CAP PART NO
XRH602HU	60300		R-22	460	3	60	9.6	70	E	--	--	--	--
XRH812AE	82300		R-22	460	3	60	11	87	F	--	--	--	--
XRJ542HA	54200		R-22	575	3	60	7	53	C	--	--	--	--
XRJ582HA	58400		R-22	575	3	60	7.4	53	C	--	--	--	--
XRJ602HA	60300		R-22	575	3	60	7.4	53	C	--	--	--	--
XRY482HA	47700		R-22	208/230	3	60	17.6	120	C	--	--	--	--
XRY482HU	47700		R-22	208/230	3	60	17.6	120	E	--	--	--	--
XRY512HA	51800		R-22	208/230	3	60	16.7	120	C	--	--	--	--
HRM054U2LP6	54200	XRY542HA	R-22	208/230	3	60	17.3	123	C	--	--	--	--
HRM058U2LP6	58400	XRY582HA	R-22	208/230	3	60	17.3	123	C	--	--	--	--
XRY582HU	58400		R-22	208/230	3	60	17.3	123	E	--	--	--	--
XRY602HA	60300		R-22	208/230	3	60	17.9	123	C	--	--	--	--
XRY602HU	60300		R-22	208/230	3	60	17.9	123	E	--	--	--	--
SRH782AE	78250		R-22	460	3	60	10.2	90	L	--	--	--	--
SRH812AE	82400		R-22	460	3	60	11	90	L	--	--	--	--
SRH942AE	95400		R-22	460	3	60	13.5	95	G	--	--	--	--
SRH942AU	95400		R-22	460	3	60	13.5	95	M	--	--	--	--
SRH109AE	110400		R-22	460	3	60	16	110	K	--	--	--	--
SRH109AU	110400		R-22	460	3	60	16	110	J	--	--	--	--
SRH120AE	120500		R-22	460	3	60	19.2	140	K	--	--	--	--
SRJ782AE	78250		R-22	575	3	60	9	73	L	--	--	--	--
SRJ942AE	95400		R-22	575	3	60	10.2	75	G	--	--	--	--
SRJ942AU	95400		R-22	575	3	60	10.2	75	M	--	--	--	--
SRY782AE	78250		R-22	208/230	3	60	23	184	L	--	--	--	--
SRY812AU	82400		R-22	208/230	3	60	21.8	184	H	--	--	--	--
SRY942AE	95400		R-22	208/230	3	60	25.6	190	G	--	--	--	--
SRY942AU	95400		R-22	208/230	3	60	25.6	190	M	--	--	--	--
SRY120AE	120500		R-22	208/230	3	60	35.3	250	K	--	--	--	--

Compressors, Chillers & Condensers

HERMETIC SCROLL

CARLYLE/DANFOSS

R-22, 50HZ, AC/HP

PART NO	BTUH	OLD PART NO	REFR	VOLTS	PH	HZ	RLA	LRA	DWG	RUN CAP MFD/VOLT	RUN CAP PART NO	ST CAP MFD/VOLT	ST CAP PART NO
XCE380HA	32100		R-22	220/240	1	50	16	97	A	70/370	P291-7013RS	88-108/330	P281-8806
XCE420HA	35800		R-22	220/240	1	50	17.3	97	A	70/370	P291-7013RS	88-108/330	P281-8806
XCE450HA	37700		R-22	220/240	1	50	19.2	102	B	60/370	P291-6004R	88-108/330	P281-8806
XCE470HA	39800		R-22	220/240	1	50	19.2	102	B	60/370	P291-6004R	88-108/330	P281-8806
XCH382HA	31800		R-22	380/415	3	50	6.4	45	A	--	--	--	--
HRM040U4LP6	33400	XCH402HA	R-22	380/415	3	50	6.4	45	A	--	--	--	--
XCH422HA	35100		R-22	380/415	3	50	6.4	45	A	--	--	--	--
HRM045U4LP6	37700	XCH452HA	R-22	380/415	3	50	7.7	50	B	--	--	--	--
XCH472HA	39700		R-22	380/415	3	50	7.7	50	B	--	--	--	--
XCX382HA	31800		R-22	200/220	3	50	12.2	95	A	--	--	--	--
HRM038U2LP6	33400	XCX402HA	R-22	200/220	3	50	12.8	95	A	--	--	--	--
XCX422HA	35100		R-22	200/220	3	50	14.1	95	A	--	--	--	--
HRM045U2LP6	37700	XCX452HA	R-22	200/220	3	50	16	110	B	--	--	--	--
HRM047U2LP6	39700	XCX472HA	R-22	200/220	3	50	16	110	B	--	--	--	--
XRE580HA	48300		R-22	220/240	1	50	28.8	130	C	55/440	P291-5504	88-108/330	P281-8806
XRE600HA	50600		R-22	220/240	1	50	26.9	130	C	55/440	P291-5504	88-108/330	P281-8806
XRH482HA	39700		R-22	380/415	3	50	8	55	C	--	--	--	--
HRM054U4LP6	46200	XRH542HA	R-22	380/415	3	50	8.4	62	C	--	--	--	--
XRH542HU	46200		R-22	380/415	3	50	8.4	62	E	--	--	--	--
HRM058U4LP6	49500	XRH582HA	R-22	380/415	3	50	9.6	70	C	--	--	--	--
XRH582HU	49500		R-22	380/415	3	50	9.6	70	E	--	--	--	--
XRH602HA	51100		R-22	380/415	3	50	9.6	70	C	--	--	--	--
XRH602HU	51100		R-22	380/415	3	50	9.6	70	E	--	--	--	--
XRH812AE	68600		R-22	380/415	3	50	11	87	F	--	--	--	--
HRM054U4LP6	46200	XRY542HA	R-22	200/220	3	50	16	123	C	--	--	--	--
HRM058U2LP6	49500	XRY582HA	R-22	200/220	3	50	16	123	C	--	--	--	--
XRY602HA	51100		R-22	200/220	3	50	16.7	123	C	--	--	--	--
XRY602HU	51100		R-22	200/220	3	50	16.7	123	E	--	--	--	--
SRH782AE	66600		R-22	380/415	3	50	10.2	80	L	--	--	--	--
SRH812AE	69100		R-22	380/415	3	50	11	80	L	--	--	--	--
SRH942AE	79500		R-22	380/415	3	50	13.5	84	G	--	--	--	--
SRH942AU	79500		R-22	380/415	3	50	13.5	84	M	--	--	--	--
SRY782AE	66500		R-22	200/220	3	50	23	184	L	--	--	--	--
SRY812AU	69100		R-22	200/220	3	50	21.8	184	H	--	--	--	--
SRY942AE	79500		R-22	200/220	3	50	25.6	190	G	--	--	--	--
SRY942AU	79500		R-22	200/220	3	50	25.6	190	M	--	--	--	--

Compressors,
Chillers, Condensers

Motors

Electrical

Heating
Components

Indoor Air
Quality

Thermostats

Oils &
Chemicals

Accessories, Supplies
& Commodities

Tools &
Instruments

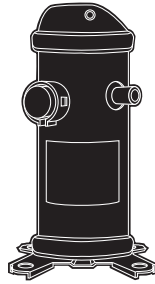
Refrigeration

Compressors, Chillers & Condensers

Compressors,
Chillers, Condensers

HERMETIC SCROLL

CARLYLE/DANFOSS
R-407C, 50HZ



- High efficiency
- Low sound and vibration levels
- High reliability
- Compact and lightweight
- 50 Cycles
- AC/HP Duty
- R407C

Motors

Electrical

Heating
Components

Indoor Air
Quality

Thermostats

Oils &
Chemicals

Accessories, Supplies
& Commodities

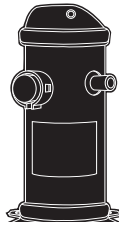
Tools &
Instruments

Refrigeration

PART NO	BTUH	OLD NO	REFR	VOLTS	PH	HZ	RLA	LRA	DWG	RUN CAP MFD/VOLT	RUN CAP PART NO	ST CAP MFD/VOLT	ST CAP PART NO
XCE470BA	38800		R-407C	220/240	1	50	19.2	102	B	60/370	P291-6004R	88-108/330	P281-8806
XCH382BA	30500		R-407C	380/415	3	50	7	45	A	--	--	--	--
XCH402BA	31400		R-407C	380/415	3	50	7.7	45	A	--	--	--	--
XCH422BA	33000		R-407C	380/415	3	50	6.4	45	A	--	--	--	--
XCH452BA	37300		R-407C	380/415	3	50	7.7	50	B	--	--	--	--
XCH472BA	38400		R-407C	380/415	3	50	7.7	50	B	--	--	--	--
XCY382BA	30500		R-407C	200/220	3	50	12.2	95	A	--	--	--	--
XCY422BA	33000		R-407C	200/220	3	50	14.1	95	A	--	--	--	--
XCY452BA	37300		R-407C	200/220	3	50	16	110	B	--	--	--	--
XCY472BA	38400		R-407C	200/220	3	50	16	110	B	--	--	--	--
XRE580BA	47200		R-407C	220/240	1	50	26.9	130	C	55/440	P291-5504	88-108/330	P281-8806
XRE600BA	48700		R-407C	220/240	1	50	25.6	130	C	55/440	P291-5504	88-108/330	P281-8806
XRE680BA	56400		R-407C	220/240	1	50	25.6	130	C	55/440	P291-5504	88-108/330	P281-8806
XRE720BA	57600		R-407C	220/240	1	50	25.6	130	C	55/440	P291-5504	88-108/330	P281-8806
XRE750BA	61100		R-407C	220/240	1	50	28.8	130	C	55/440	P291-5504	88-108/330	P281-8806
XRH482BA	38300		R-407C	380/415	3	50	7.7	55	C	--	--	--	--
XRH542BA	43300		R-407C	380/415	3	50	8	62	C	--	--	--	--
XRH542BU	43300		R-407C	380/415	3	50	8	62	E	--	--	--	--
XRH582BU	46500		R-407C	380/415	3	50	9.6	70	E	--	--	--	--
XRH602BA	47800		R-407C	380/415	3	50	9	70	C	--	--	--	--
XRH602BE	47800		R-407C	380/415	3	50	9	70	D	--	--	--	--
XRH602BU	47800		R-407C	380/415	3	50	9	70	E	--	--	--	--
XRH812BE	64100	SRH812BE	R-407C	380/415	3	50	11	80	L	--	--	--	--
SRH942BU	74400		R-407C	380/415	3	50	13.5	84	M	--	--	--	--
SRH109BE	86500		R-407C	380/415	3	50	16	110	K	--	--	--	--
SRH109BU	86500		R-407C	380/415	3	50	16	110	J	--	--	--	--
SRH120BE	94300		R-407C	380/415	3	50	19.2	140	K	--	--	--	--
SRH120BU	94300		R-407C	380/415	3	50	19.2	140	J	--	--	--	--
SRY942BE	74400		R-407C	200/220	3	50	25.6	190	G	--	--	--	--
SRY942BU	74400		R-407C	200/220	3	50	25.6	190	M	--	--	--	--

Compressors, Chillers & Condensers

**HERMETIC
SCROLL
CARYLE/DANFOSS
R-410A, 60HZ**



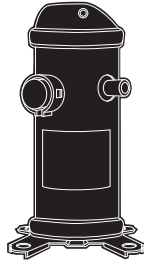
- High efficiency
- Low sound and vibration levels
- High reliability
- Compact and lightweight
- 60 Cycles
- AC/HP Duty
- R-410A

PART NO	BTUH	OLD No	REFR	VOLTS	PH	HZ	RLA	LRA	DWG	RUN CAP MFD/VOLT	RUN CAP PART NO	ST CAP MFD/VOLT	ST CAP PART NO
XGD320HA	31800		R-410A	208/230	1	60	16	88	A	50/370	P291-5003	88-108/250	P281-8805
P045-3521	36700	XGD360HA	R-410A	208/230	1	60	21.5	105	A	55/370	P291-5503	88-108/250	P281-8805
XGD380HA	38300		R-410A	208/230	1	60	21	115	A	60/370	P291-6004R	88-108/330	P281-8806
XGD410HA	42400		R-410A	208/230	1	60	21	115	B	60/370	P291-6004R	88-108/330	P281-8806
XGH382HA	38300		R-410A	460	3	60	7.7	50	A	--	--	--	--
XGH412HA	42400		R-410A	460	3	60	7.7	50	B	--	--	--	--
XGJ322HA	31800		R-410A	575	3	60	5.4	38	A	--	--	--	--
XGJ362HA	36700		R-410A	575	3	60	5.4	38	A	--	--	--	--
XGJ382HA	38300		R-410A	575	3	60	6	40	A	--	--	--	--
XGY322HA	31800		R-410A	208/230	3	60	12.8	95	A	--	--	--	--
XGY362HA	36700		R-410A	208/230	3	60	14.1	95	A	--	--	--	--
XGY382HA	38300		R-410A	208/230	3	60	14.7	115	A	--	--	--	--
XGY412HA	42400		R-410A	208/230	3	60	16	115	B	--	--	--	--
XND440HA	44900		R-410A	208/230	1	60	24.3	150	C	70/370	P291-7013RS	161-193/250	P281-1615
XND490HA	49500		R-410A	208/230	1	60	25	150	C	70/370	P291-7013RS	161-193/250	P281-1615
HRH051U1LP6	52100	XND510HA	R-410A	208/230	1	60	26.3	150	C	70/370	P291-7013RS	161-193/250	P281-1615
HRH054U1LP6	55100	XND540HA	R-410A	208/230	1	60	29	145	C	80/370	P291-8003	175-216/320	--
XND560HA	57500		R-410A	208/230	1	60	30.1	145	C	80/370	P291-8003	175-216/320	--
XNH442HA	44700		R-410A	460	3	60	8.6	60	C	--	--	--	--
XNH492HA	49300		R-410A	460	3	60	8.6	60	C	--	--	--	--
XNH512HA	51900		R-410A	460	3	60	8.3	70	C	--	--	--	--
XNH542HA	55000		R-410A	460	3	60	9.6	70	C	--	--	--	--
XNH562HA	56800		R-410A	460	3	60	9.6	70	C	--	--	--	--
XNH562HE	56800		R-410A	460	3	60	9.6	70	D	--	--	--	--
XNH682AE	69400		R-410A	460	3	60	12.2	87	D	--	--	--	--
XNJ442HA	44700		R-410A	575	3	60	6.7	42	C	--	--	--	--
XNJ492HA	49300		R-410A	575	3	60	6.7	42	C	--	--	--	--
XNJ512HA	51900		R-410A	575	3	60	7.4	53	C	--	--	--	--
XNJ542HA	55000		R-410A	575	3	60	7.5	53	C	--	--	--	--
XNJ562HA	56800		R-410A	575	3	60	8	53	C	--	--	--	--
XNJ682AE	69400		R-410A	575	3	60	8.6	62	D	--	--	--	--
XNY442HA	44700		R-410A	208/230	3	60	16.7	120	C	--	--	--	--
XNY492HA	49300		R-410A	208/230	3	60	16.7	120	C	--	--	--	--
XNY512HA	51900		R-410A	208/230	3	60	17.6	120	C	--	--	--	--
XNY542HA	55000		R-410A	208/230	3	60	17.6	120	C	--	--	--	--
XNY562HA	56800		R-410A	208/230	3	60	17.6	120	C	--	--	--	--
XNY682AE	69400		R-410A	208/230	3	60	23	160	D	--	--	--	--

Compressors, Chillers & Condensers

Compressors,
Chillers, Condensers

**HERMETIC
SCROLL
CARLYLE/DANFOSS**
R-410A, 50HZ



- High efficiency
- Low sound and vibration levels
- High reliability
- Compact and lightweight
- 50 Cycles
- R-410A
- AC/HP Duty

PART NO	BTUH	VOLTS	PH	RLA	LRA	DWG	RUN CAP MFD/VOLT	RUN CAP PART NO	ST CAP MFD/VOLT	ST CAP PART NO
XGE360HA	30800	220/240	1	17.3	97	A	70/370	P291-7013RS	145-175/330	P281-8806
XGH382HA	31900	380/415	3	7.7	50	A		--		--
XGH412HA	35100	380/415	3	7.7	50	B		--		--
XNE540HA	46200	220/240	1	25.6	130	C	55/440	P291-5504	88-108/330	P281-8806
XNE560HA	46600	220/240	1	25.6	130	C	55/440	P291-5504	88-108/330	P281-8806
XNH442HA	37300	380/415	3	8	55	C		--		--
XNH492HA	41700	380/415	3	8.6	60	C		--		--
XNH512HA	44300	380/415	3	8.3	70	C		--		--
XNH542HA	46000	380/415	3	8.3	70	C		--		--
XNH562HA	47700	380/415	3	9	70	C		--		--
XNH562HE	47700	380/415	3	9	70	D		--		--
XNY682AE	58200	200/220	3	23	160	D		--		--

Motors

Electrical

Heating
Components

Indoor Air
Quality

Thermostats

Oils &
Chemicals

Accessories, Supplies
& Commodities

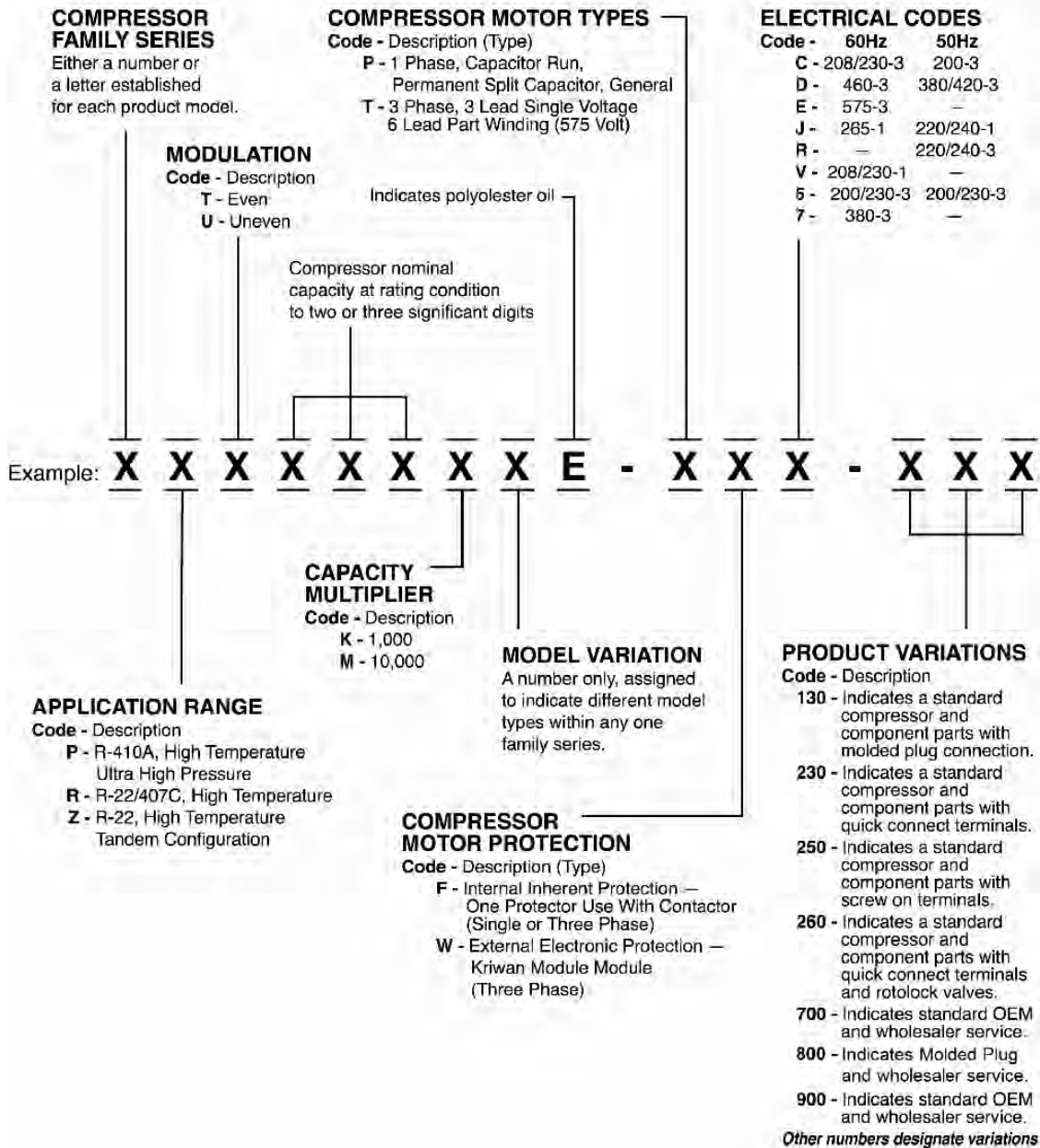
Tools &
Instruments

Refrigeration

PART NUMBERING GUIDE

HERMETIC
SCROLL
COPELAND

COPELAND SCROLL COMPRESSOR GUIDE TO PART NUMBERING SYSTEM:



Compressors, Chillers & Condensers

Compressors,
Chillers, Condensers

Motors

Electrical

Heating
Components

Indoor Air
Quality

Thermostats

Oils &
Chemicals

Accessories, Supplies
& Commodities

Tools &
Instruments

Refrigeration

Copeland® Compressor Model Number

XXXX - XXXX - XXX - XXX

XXXXXXXX - XXX - XXX

Mechanical
Description

Electrical
Description

Bill of
Material

Copeland® Compressor Serial Number

03 C A2345 Y

Year of
Production

Month

Alpha Numeric
Sequence Number

Production
Plant

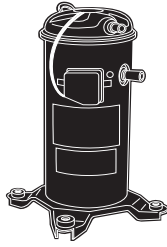
Recommended Run Capacitors for Field Replacement of a ZR*K1 or K2 with a ZR*K3, K4, or KC

	K1	*K2	K3	K4	KC
ZR18	25µf/370 volt		30µf/370 volt	35µf/370 volt	30µf/370 volt
ZR23	30µf/370 volt		40µf/370 volt	35µf/370 volt	35µf/370 volt
ZR26	35µf/370 volt		40µf/370 volt		30µf/440 volt
ZR28	35µf/370 volt		45µf/370 volt		35µf/440 volt
ZR34	35µf/440 volt		50µf/370 volt		40µf/370 volt
ZR40	35µf/440 volt		55µf/370 volt		40µf/440 volt
ZR46		40µf/440 volt	60µf/370 volt		
ZR49		40µf/440 volt	60µf/370 volt		45µf/440 volt
ZR57		55µf/440 volt	80µf/370 volt		60µf/370 volt
ZR61		55µf/440 volt	80µf/370 volt		60µf/370 volt

Compressors, Chillers & Condensers

HERMETIC SCROLL COPELAND

R-22, 50/60 HZ



- ZR's for high efficiency - 11.0 plus
 - Low noise and vibration levels
 - Inherent motor protection
 - Centrifugal oil pump
 - For heat pump and air conditioning duty
- 3 Phase
 - 50/60 Cycles

RCD/SUPPLIER NO	OLD PART NO	BTUH	VOLTS	RLA	H	DWG	MTG ARR	RUN CAP MFD/VOLT	RUN CAP PART NO	ST CAP MFD/VOLT
ZR22K3-TF5-930	P021-2251	22100	200/230	7.9	14.8	207A	A	NR	NR	NR
ZR22K3-TFD-930	P021-2271	22100	460	3.9	14.8	207A	A	NR	NR	NR
ZR26K3-TFD-930	P021-2671	26200	460	4.3	14.8	207A	A	NR	NR	NR
ZR26K3-TF5-930	P021-2655	26500	200/230	8.6	14.8	207A	A	NR	NR	NR
ZR28K3-TF5-770	P021-2852	28500	208/230	10	14.3	207A	A	NR	NR	NR
ZR30K3-TF5-930	P021-3152	31100	200/230	10.7	15.7	207A	A	NR	NR	NR
ZR30K3-TFD-930	P021-3171	31100	460	5	15.7	207A	A	NR	NR	NR
ZR32KA-TFD-830	P021-3275P	32600	460	6.4	15.9	207B	A	NR	NR	NR
ZR34K3-TF5-930	P021-3452	34000	208/230	11.4	15.2	207A	A	NR	NR	NR
ZR34K3-TF5-830	P021-3453P	34000	200/230	11.4	15.7	207B	A	NR	NR	NR
ZR34K3-TFD-730	P021-3472	34000	460	5.7	15.9	207A	A	NR	NR	NR
ZR34K3-TFD-830	P021-3473P	34000	460	5.7	15.7	207B	A	NR	NR	NR
ZR38KA-TFD-830	P021-3872	38000	460	6.4	17	207B	A	NR	NR	NR
ZR40K3-TF5-930	P021-4051	40000	208/230	13.9	15.7	207A	A	NR	NR	NR
ZR40K3-TF5-830	P021-4052P	40000	200/230	11.4	--	--	--	NR	NR	NR
ZR40K3-TFD-930	P021-4071	40000	460	6.78	15.7	207A	A	NR	NR	NR
ZR40K3-TFD-830	P021-4076P	40000	460	6.4	16.3	207B	A	NR	NR	NR
ZR42K3-TF5-930	P021-4254	42000	200/230	13.1	15.7	207A	A	NR	NR	NR
ZR42K3-TFD-930	P021-4273	42000	460	7.1	15.7	207A	A	NR	NR	NR
ZR42K3-TF5-830	P021-4258P	42800	200/230	13.9	16.3	207B	A	NR	NR	NR
ZR42K3-TFD-830	P021-4275P	42800	460	7.1	16.3	207B	A	NR	NR	NR
ZR44KA-TFD-830	P021-4472P	44000	460	6.8	16.9	207A	A	NR	NR	NR
ZR45K3-TFD-835	P021-4571P	45600	460	N/A	17.7	207B	A	NR	NR	NR
ZR45KC-TF5-935	P021-4654	46000	200/230	14.3	16.9	207A	A	NR	NR	NR
ZR45KC-TF5-835	P021-4655P	46000	208/230	14.3	16.9	207B	A	NR	NR	NR
ZR45KC-TFD-935	P021-4674	46000	460	46	16.9	207A	A	NR	NR	NR
ZR47KC-TFD-835	P021-4773P	47500	460	7.2	16.9	203D	A	NR	NR	NR
ZR48K3-TF5-930	P021-4953	49100	200/230	16.4	16.4	207A	A	NR	NR	NR
ZR48K3-TFD-930	P021-4973	49100	460	7.9	16.9	207A	A	NR	NR	NR
ZR54K3-TFD-930	P021-5375	53000	460	7.5	17.8	207A	A	NR	NR	NR
ZR54KC-TF5-830	P021-5352P	53500	200/230	16.3	17.8	207B	A	NR	NR	NR
ZR54KA-TFD-830	P021-5376P	53500	460	7.9	17	207B	A	NR	NR	NR
ZR54K3-TF5-930	P021-5452	54000	200/230	20	17.8	207A	A	NR	NR	NR
ZR57KC-TFD-830	P021-5572P	55000	460	8.3	17.9	207B	A	NR	NR	NR
ZR57K3-TFD-830	P021-5775P	57200	460	10	17.7	207H	A	NR	NR	NR
ZR57K3-TF5-950	P021-5754	57250	200/230	19.3	17.7	207A	A	NR	NR	NR
ZR57K3-TFD-950	P021-5774	57250	460	10	17.7	207A	A	NR	NR	NR
ZR61K3-TF5-930	P021-6152	61000	200/230	19.3	17.2	207A	A	NR	NR	NR
ZR61K3-TFD-930	P021-6172	61000	460	10	17.2	207A	A	NR	NR	NR
ZR61K3-TF5-830	P021-6251P	62000	200/230	19.3	17.8	207B	A	NR	NR	NR
ZR61K3-TFD-830	P021-6271P	62000	460	9.1	17.8	207B	A	NR	NR	NR
ZR68KC-TF5-950	P021-6852	68500	200/230	20.7	17.7	207A	A	NR	NR	NR
ZR68KC-TFD-950	P021-6872	70000	460	10	17.7	207A	A	NR	NR	NR
ZR72KC-TF5-950	P021-7251	72300	200/230	20.7	17.7	207A	A	NR	NR	NR
ZR72KC-TFD-950	P021-7271	72300	460	10	17.7	207A	A	NR	NR	NR

Compressors,
Chillers, Condensers

Motors

Electrical

Heating
Components

Indoor Air
Quality

Thermostats

Oils &
Chemicals

Accessories, Supplies
& Commodities

Tools &
Instruments

Refrigeration

Compressors, Chillers & Condensers

Compressors,
Chillers, Condensers

HERMETIC SCROLL COPELAND

R-22, 50/60 HZ

RCD/SUPPLIER NO	OLD PART NO	BTUH	VOLTS	RLA	H	DWG	MTG ARR	RUN CAP MFD/VOLT	RUN CAP PART NO	ST CAP MFD/VOLT
ZR72KC-TFD-830	P021-7371P	73500	460	10	17.8	207B	A	NR	NR	NR
ZR94KC-TF5-950	P021-9451	94000	200/230	32.1	19.3	207C	A	NR	NR	NR
ZR94KC-TFD-950	P021-9471	94000	460	16.4	19	207C	A	NR	NR	NR
ZR11M3-TWC-868	P021-10851	108000	208/230	34.3	21.2	207D	X	NR	NR	NR
ZR11M3-TWD-868	P021-10871	108000	460	17.5	21.2	207D	X	NR	NR	NR
ZR108KC-TF5 -950	P021-10852	108900	200/230	33.6	21.5	207C	A	NR	NR	NR
ZR108KC-TFD-950	P021-10872	108900	460	17.3	21.5	207C	A	NR	NR	NR
ZR125KC-TF5 -950	P021-12551	125000	200/230	42	21.5	207C	A	NR	NR	NR
ZR12M3-TWC-822	P021-12552	125000	200	38.6	21.1	207D	J	NR	NR	NR
ZR125KC-TFD-950	P021-12573	125000	460	19.2	21.5	207C	A	NR	NR	NR
ZR144KC-TFD-950	P021-14271	142800	460	19.6	21.5	207C	A	NR	NR	NR
ZR144KC-TF5-950	P021-14351	143000	200/230	47	21.5	207C	A	NR	NR	NR
ZR16M3-TWC-922	P021-15451	154000	208/230	47.1	21.1	207D	J	NR	NR	NR
ZR16M3-TWD-922	P021-15471	154000	460	25	21.1	207D	J	NR	NR	NR
ZRT162KC-TFD-980	P021-16371	163000	460	24	19.1	207E	AA	NR	NR	NR
ZRT162KC-TFD-980	P021-99714	163000	460	24	19.1	207E	AA	NR	NR	NR
ZR19M3-TWC-922	P021-19051	190000	208/230	55.2	23.3	207D	J	NR	NR	NR
ZR19M3-TWD-922	P021-19071	190000	460	27.2	23.3	207D	J	NR	NR	NR
ZR250KC-TWC-951	P021-24651	246000	208/230	81	28.2	207F	AB	NR	NR	NR
ZR250KC-TWD-951	P021-24671	246000	460	34	28.2	207F	AB	NR	NR	NR
ZR300KC-TWC-951	P021-29651	296000	208/230	87.9	28.6	207G	AB	NR	NR	NR
ZR300KC-TWD-951	P021-29671	296000	460	42.9	28.6	207G	AB	NR	NR	NR

Motors

Electrical

Heating
Components

Indoor Air
Quality

Thermostats

Oils &
Chemicals

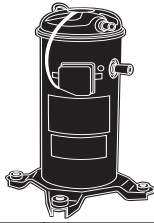
Accessories, Supplies
& Commodities

Tools &
Instruments

Refrigeration

Compressors, Chillers & Condensers

**HERMETIC
SCROLL
COPELAND**
R-22, 60 HZ



- ZR's for high efficiency - 11.0 plus
- Low noise and vibration levels
- Inherent motor protection
- Centrifugal oil pump
- For heat pump and air conditioning duty
- 60 Cycles

RCD/SUPPLIER NO	OLD PART NO	BTUH	VOLTS	PH	RLA	H	DWG	MTG ARR	RUN CAP MFD/VOLT	RUN CAP PART NO	ST CAP MFD/VOLT	ST CAP PART NO
ZR16KA-PFV-830	P021-1528P	15500	208/230	1	8.6	16	207B	A	30/370	P291-3003	88-108/330	P281-8806
ZR16K4-PFV-830	P021-1625	16500	208/230	1	10	14.9	207B	A	30/370	P291-3003	NR	N/A
ZR16K4-PFV-830	P021-1627P	16500	208/230	1	10	14.9	207H	A	30/370	P291-3003	88-108/330	P281-8806
ZR18K4-PFV-830	P021-18210	18000	208/230	1	10.7	14.8	207A	A	35/370	P291-3503	88-108/330	P281-8806
ZR18K4-PFV-830	P021-18211P	18000	208/230	1	10.7	14.9	207B	A	35/370	P291-3503	88-108/330	P281-8806
ZR21KA-PFV-830	P021-21211P	21000	208/230	1	12.1	16	207B	A	35/370	P291-3503	88-108/330	P281-8806
ZR22K4-PFV-930	P021-2228	22000	208/230	1	12.1	14.8	207A	A	35/370	P291-3503	88-108/330	P281-8806
ZR22K4-PFV-830	P021-2229P	22000	208/230	1	12.1	14.9	207B	A	35/370	P291-3503	88-108/330	P281-8806
ZR22K4-PFJ-930	P021-2291	22000	265	1	10	14.8	207A	A	45/370	P291-4503	88-108/330	P281-8806
ZR24K4-PFV-930	P021-24210	24000	208/230	1	13.6	14.8	207A	A	40/370	P291-4003	88-108/330	P281-8806
ZR24K4-PFV-930	P021-24212	24000	208/230	1	13.6	14.8	207A	A	40/370	P291-4003	88-108/330	P281-8806
ZR24K4-PFV-830	P021-24212P	24100	208/230	1	13.6	14.8	207B	A	35/370	P291-3503	88-108/330	P281-8806
ZR26KA-PFV-830	P021-2626P	26000	208/230	1	15.7	15.9	207B	A	45/370	P291-4503	175-216/330	HC95DE047
ZR26K3-PFJ-930	P021-2691	26200	265	1	12.1	14.8	207A	A	40/440	P291-4004	88-108/330	P281-8806
ZR26K3-PFV-930	P021-2625	26600	208/230	1	13.6	14.8	207A	A	40/370	P291-4003	88-108/330	P281-8806
ZR28K3-PFV-830	P021-28210P	28500	208/230	1	10.7	14.8	207B	A	45/370	P291-4503	88-108/330	P281-8806
ZR28K3-PFV-830	P021-2826	28500	208/230	1	15	14.3	207A	A	45/370	P291-4503	88-108/330	P281-8806
ZR28K3-TF5-830	P021-2855P	28900	200/230	3	10	14.8	207B	A	NR	NR	NR	NR
ZR30K3-PFJ-930	P021-3091	30500	265	1	14.3	15.7	207A	A	45/440	P291-4504	88-108/330	P281-8806
ZR30K3-PFV-830	P021-30211	31100	208/230	1	15	15.7	207A	A	45/370	P291-4503	88-108/330	P281-8806
ZR32KA-PFV-830	P021-3227P	32600	208/230	1	16.1	16	207B	A	50/370	P291-5003	88-108/330	P281-8806
ZR32KA-TF5-830	P021-3254P	32600	200/230	3	10.7	16	207B	A	NR	NR	NR	NR
ZR34K3-PFV-830	P021-3424	34000	208/230	1	17.9	15.7	207A	A	50/370	P291-5003	88-108/330	P281-8806
ZR34K3-PFV-830	P021-3426P	34000	208/230	1	17.9	15.7	207B	A	50/370	P291-5003	88-108/330	P281-8806
ZR34K3-TFE-930	P021-3483	34000	575	3	4.7	15.7	207A	A	NR	NR	NR	NR
ZR38KA-PFV-830	P021-3825P	38000	208/230	1	21.5	16.3	207B	A	55/370	P291-5503	88-108/330	P281-8806
ZR38KA-TF5-830	P021-3852P	38000	200/230	3	13.6	17	207B	A	NR	NR	NR	NR
ZR40K3-PFV-930	P021-4021	40000	208/230	1	20	15.7	207A	A	55/370	P291-5503	88-108/330	P281-8806
ZR40K3-PFV-830	P021-4023P	40000	208/230	1	20	16.3	207B	A	55/370	P291-5503	88-108/330	P281-8806
ZR40K3-TFE-930	P021-4082	40600	575	3	5.4	16.3	207A	A	NR	NR	NR	NR
ZR42K3-TFE-930	P021-4281	42000	575	3	5.3	15.7	207A	A	NR	NR	NR	NR
ZR42K3-PFV-830	P021-42211P	42800	208/230	1	20.4	16.3	207B	A	60/370	P291-6003	88-108/330	P281-8806
ZR42K3-PFV-930	P021-4228	42800	208/230	1	20.4	16.3	207A	A	60/370	P291-6003	88-108/330	P281-8806
ZRS43K4-PFV-830	P021-4323P	43200	208/230	1	23.9	17	207B	A	45/370	P291-4503	NR	NR
ZR44KA-PFV-830	P021-4421P	44000	208/230	1	22.5	17	207B	A	60/440	P291-6004	88-108/330	P281-8806
ZR44KA-TF5-830	P021-4452P	44000	200/230	3	13.6	17	207B	A	NR	NR	NR	NR
ZR45K3-PFV-835	P021-4625	45500	208/230	1	23.6	16.9	207A	A	60/440	P291-6004	88-108/330	P281-8806
ZR45K3-PFV-835	P021-4626P	45500	208/230	1	23.6	16.9	207B	A	60/440	P291-6004	88-108/330	P281-8806
ZR45K3-TF5-830	P021-4551P	45600	200/230	3	14.3	16.9	207B	A	NR	NR	NR	NR
ZR45KC-TFE-935	P021-4683	46000	575	3	5.7	16.9	207A	A	NR	NR	NR	NR
ZR47K3-PFV-835	P021-4828P	48200	208/230	1	21.4	16.9	207B	A	60/440	P291-6004	88-108/330	P281-8806
ZR48K3-PFV-935	P021-4825	49100	208/230	1	22.1	16.4	207A	A	60/440	P291-6004	88-108/330	P281-8806
ZR48K3-TFE-930	P021-4983	49100	575	3	5.7	16.4	207A	A	NR	NR	NR	NR
ZR49K2-TFE-930	P021-4981	49200	575	3	6.4	16.3	-207A-	A	NR	NR	NR	NR
ZR52K4-PFV-830	P021-5122P	51800	208/230	1	24.6	17.8	207A	A	80/370	P291-8003	NR	NR
ZR54K3-TFE-930	P021-5382	53000	575	3	40	17	207B	A	NR	NR	NR	NR

Compressors,
Chillers, Condensers

Motors

Electrical

Heating
Components

Indoor Air
Quality

Thermostats

Oils &
Chemicals

Accessories, Supplies
& Commodities

Tools &
Instruments

Refrigeration

Compressors, Chillers & Condensers

Compressors,
Chillers, Condensers

**HERMETIC
SCROLL
COPELAND**
R-22, 60 HZ

Motors

Electrical

Heating
Components

Indoor Air
Quality

Thermostats

Oils &
Chemicals

Accessories, Supplies
& Commodities

Tools &
Instruments

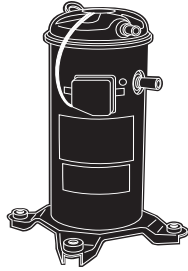
Refrigeration

RCD/SUPPLIER NO	OLD PART NO	BTUH	VOLTS	PH	RLA	H	DWG	MTG ARR	RUN CAP MFD/VOLT	RUN CAP PART NO	ST CAP MFD/VOLT	ST CAP PART NO
ZR54KA-PFV-830	P021-5325P	53500	208/230	1	28.2	17.8	207B	A	80/440	P291-4004	175-216/330	HC95DE047
ZR54KA-TF5-830	P021-5354P	53500	200/230	3	17.1	17	207B	A	NR	NR	NR	NR
ZR54K3-PFV-830	P021-5425P	55000	208/230	1	28	17.9	207B	A	80/370	P291-8003	270-324/330	P281-2706
ZR57K3-TF5-830	P021-5755P	57200	200/230	3	19.3	17.7	207H	A	NR	NR	NR	NR
ZR57K3-TFE-830	P021-5785P	57200	575	3	7.9	17.7	207B	A	NR	NR	NR	NR
ZR57K3-TFE-950	P021-5784	57250	575	3	7.9	17.7	207A	A	NR	NR	NR	NR
ZR57K3-PFV-830	P021-5723	57500	208/230	1	32.1	17.2	207A	A	80/370	P291-8003	270-324/330	P281-2706
ZR57K3-PFV-830	P021-5725P	57500	208/230	1	32.1	17.8	207B	A	80/370	P291-8003	NR	P281-2706
ZR61K3-TFE-930	P021-6182	61000	575	3	7.9	17.8	207A	A	NR	NR	NR	NR
ZR61K3-PFV-950	P021-6123	61200	208/230	1	32.1	17.2	207A	A	80/370	P291-8003	270-324/330	P281-2706
ZR61K3-PFV-830	P021-6124P	61200	208/230	1	32.1	17.8	207B	A	80/370	P291-8003	270-324/330	P281-2706
ZR68KC-TFE-950	P021-6882	68500	575	3	8.2	17.7	207A	A	NR	NR	NR	NR
ZR72KC-TFE-950	P021-7281	72300	575	3	8.2	17.7	207A	A	NR	NR	NR	NR
ZR72KC-TF7-930	P021-7361	73500	380	3	10.7	17.8	207A	A	NR	NR	NR	NR
ZR94KC-TF7-950	P021-9461	94000	380	3	16.7	19.3	207C	A	NR	NR	NR	NR
ZR94KC-TFE-950	P021-9481	94000	575	3	12	19.3	207C	A	NR	NR	NR	NR
ZR11M3-TWE-980	P021-10881	108000	575	3	13.2	21.2	207D	X	NR	NR	NR	NR
ZR108KC-TF7-950	P021-10861	108900	380	3	18.6	21.5	207C	A	NR	NR	NR	NR
ZR108KC-TFE-950	P021-10882	108900	575	3	13.4	21.5	207C	A	NR	NR	NR	NR
ZR12M3-TWD-822	P021-12571	125000	460	3	18.9	21.1	207D	J	NR	NR	NR	NR
ZR12M3-TWE-822	P021-12581	125000	575	3	15.7	21.1	207D	J	NR	NR	NR	NR
ZR125KC-TF7-950	P021-12661	126400	380	3	23.6	21.5	207C	A	NR	NR	NR	NR
ZR125KC-TFE-950	P021-12681	126400	575	3	13.8	21.5	207C	A	NR	NR	NR	NR
ZRU140KC-TF7-980	P021-14161	141000	380	3	140	18.8	207E	AA	NR	NR	NR	NR
ZR144KC-TFE-950	P021-14381	143000	575	3	15.9	21.5	207C	A	NR	NR	NR	NR
ZR144KC-TF7-950	P021-14461	144000	380	3	24.4	21.5	207C	A	NR	NR	NR	NR
ZR16M3-TWE-922	P021-15481	154000	575	3	19.9	21.1	207D	J	NR	NR	NR	NR
ZR16M3-TW7-868	P021-15461	154300	380	3	27.9	21.5	207D	J	NR	NR	NR	NR
ZR19M3-TWE-822	P021-19081	190000	575	3	24.3	23.3	207D	J	NR	NR	NR	NR
ZR250KC-TWE-951	P021-24681	246000	575	3	27	28.2	207F	AB	NR	NR	NR	NR

Compressors, Chillers & Condensers

HERMETIC SCROLL COPELAND

R-407C, 50/60 HZ



- ZR's for high efficiency - 11.0 plus
- Low noise and vibration levels
- Inherent motor protection
- Centrifugal oil pump
- For heat pump and air conditioning duty
- AC/HP Duty
- R-407C
- 3 Phase

RCD/SUPPLIER NO	OLD PART NO	BTUH	VOLTS	HZ	RLA	H	DWG	MTG ARR	RUN CAP PART NO	ST CAP MFD/VOLT
ZR42K3E-TFD-930	P021-4072	40400	400/460	50/60	7.1	15.7	207A	A	NR	NR
ZR42K3E-TF5-930	P021-4256	42400	200/230	50/60	13.1	15.7	207A	A	NR	NR
ZR54KCE-TFD-230	P021-5472	54000	460	50/60	7.9	17.9	207A	A	NR	NR
ZR57K3E-TF5-930	P021-5753	57600	208/230	50/60	19.3	17.2	207A	A	NR	NR
ZR57K3E-TFD-930	P021-5773	57600	400/460	50/60	10	17.2	207A	A	NR	NR

R-407C, 60 HZ

RCD/SUPPLIER NO	OLD PART NO	BTUH	VOLTS	PH	HZ	RLA	H	DWG	MTG ARR
ZR42K3E-TFE-930	P021-4081	40400	575	3	60	5.3	15.7	207A	A
ZR57K3E-TFE-930	P021-5783	57600	575	3	60	5.8	17.2	207A	A

Compressors,
Chillers, Condensers

Motors

Electrical

Heating
Components

Indoor Air
Quality

Thermostats

Oils &
Chemicals

Accessories, Supplies
& Commodities

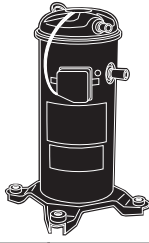
Tools &
Instruments

Refrigeration

Compressors, Chillers & Condensers

Compressors,
Chillers, Condensers

**HERMETIC
SCROLL
COPELAND**
R-410A, 60 HZ



- ZP's for high efficiency - 11.0 plus
- Low noise and vibration levels
- Inherent motor protection
- Centrifugal oil pump
- For heat pump and air conditioning duty
- AC/HP Application
- 60 Cycles

Motors

Electrical

Heating
Components

Indoor Air
Quality

Thermostats

Oils &
Chemicals

Accessories, Supplies
& Commodities

Tools &
Instruments

Refrigeration

RCD/SUPPLIER NO	OLD PART NO	BTUH	VOLTS	PH	RLA	H	DWG	RUN CAP MFD/VOLT	RUN CAP PART NO	ST CAP MFD/VOLT	ST CAP PART NO
ZP16K3E-PFV-830	P021-1526P	15500	208/230	1	11.4	14.8	207B	40/370	P291-4003	88-108/330	P281-8806
ZP16K5E-PFV-830	P021-1527P	15500	208/230	1	10	15.9	207B	30/370	P291-3003	189-227/330	P281-1896S
ZP20K5E-PFV-830	P021-2022P	20000	208/230	1	15	15.9	207B	35/370	P291-3503	175-216/330	P281-1766
ZPS20K4E-PFV-830	P021-2023P	20000	208/230	1	11.4	16.5	207J	35/370	P291-3503	88-108/330	P281-8806
ZP20K3E-PFV-830	P021-2021P	20300	208/230	1	14.3	15.6	207B	35/370	P291-3503	88-108/330	P281-8806
ZP21K5E-PFV-830	P021-21210P	21300	208/230	1	14.3	15.9	207B	35/370	P291-3503	175-216/330	P281-1766
ZP22KCE-PFV-930	P021-2227	22000	208/230	1	15	14.8	207A	40/370	P291-4003	NR	NR
ZP23K3E-PFV-830	P021-23211P	23500	208/230	1	15	14.8	207B	40/370	P291-4003	88-108/330	P281-8806
ZP23K3E-PFV-930	P021-23210	23900	208/230	1	19	14.3	207A	40/370	P291-4003	88-108/330	P281-8806
ZP24K5E-PFV-830	P021-24214P	24000	208/230	1	14.3	15.9	207B	40/370	P291-4003	175-216/330	P281-1766
ZP25K5E-PFV-830	P021-2523P	25200	208/230	1	15.7	15.9	207B	40/370	P291-4003	175-216/330	P281-1766
ZP26K3E-TF5-830	P021-2551P	25500	200/230	3	11.6	14.8	207B	NR	NR	NR	NR
ZP26K3E-PFV-830	P021-2522P	25700	208/230	1	16.4	14.8	207B	45/370	P291-4503	88-108/330	P281-8806
ZP26K3E-PFV-830	P021-2624	26000	208/230	1	21	14.3	207A	45/370	P291-4503	88-108/330	P281-8806
ZP29K5E-PFV-830	P021-2921P	29000	208/230	1	15.7	15.9	207B	45/370	P291-4503	175-216/330	P281-1766
ZPS30K4E-PFV-830	P021-30213P	30000	208/230	1	19	16.5	207J	40/370	P291-4003	88-108/330	P281-8806
ZPS30K4E-TF5-830	P021-3052P	30000	200/230	3	12.4	16.5	207J	NR	NR	NR	NR
ZP31K5E-PFV-830	P021-3122P	31100	208/230	1	18.6	15.9	207B	45/370	P291-4503	175-216/330	P281-1766
ZP32K3E-PFV-830	P021-3121P	31300	208/230	1	17.1	15.6	207B	45/370	P291-4503	88-108/330	P281-8806
ZP32K3E-TF5-830	P021-3153P	31800	200/230	3	12.9	15.6	207B	NR	NR	NR	NR
ZP32K3E-PFV-930	P021-3225	32000	208/230	1	16.3	15.1	207A	45/370	P291-4503	88-108/330	P281-8806
ZP32K3E-TFE-830	P021-3281P	32100	575	3	4.8	15.6	207B	NR	NR	NR	NR
ZP34K5E-PFV-830	P021-3427P	34500	208/230	1	20	17	207B	45/370	P291-4503	175-216/330	P281-1766
ZP36K5E-PFV-830	P021-3627P	36000	208/230	1	19.7	17	207B	45/370	P291-4503	175-216/330	P281-1766
ZP36K3E-PFV-930	P021-3625	36200	208/230	1	28	15.6	207A	55/370	P291-5503	88-108/330	P281-8806
ZP36K3E-PFV-830	P021-3626P	36200	208/230	1	20.7	16.2	207B	55/370	P291-5503	88-108/330	P281-8806
ZP36K3E-TF5-830	P021-3655P	36200	200/230	3	15	16.2	207B	NR	NR	NR	NR
ZP36K3E-TFE-830	P021-3681P	36200	575	3	5.7	16.2	207B	NR	NR	NR	NR
ZP38K5E-PFV-830	P021-3722P	37500	208/230	1	22.1	17	207B	45/370	P291-4503	NR	NR
ZP38K3E-PFV-830	P021-3721P	37800	208/230	1	21.4	16.2	207B	55/370	P291-5503	88-108/330	P281-8806
ZP38K3E-PFV-830	P021-3823	38000	208/230	1	21.4	16.2	207A	55/370	P291-5503	NR	N/A
ZP39K5E-PFV-830	P021-3921P	39000	208/230	1	22.1	17	207B	45/370	P291-4503	175-216/330	P281-1766
ZP39K5E-TF5-830	P021-3951P	39000	200/230	3	14.6	17.1	207B	NR	NR	NR	NR
ZPS40K4E-PFV-830	P021-4024P	40200	208/230	1	24	16.5	207J	45/370	P291-4503	88-108/330	P281-8806
ZPS40K4E-TF5-830	P021-4053P	40500	200/230	3	15	16.5	207J	NR	NR	NR	NR
ZP41K3E-PFV-830	P021-4124P	41000	208/230	1	22.9	16.2	207B	60/370	P291-6003	88-108/330	P281-8806
ZP41K3E-TF5-830	P021-4153P	41200	200/230	3	16.2	16.2	207B	NR	NR	NR	NR
ZP41K3E-PFV-830	P021-4123	41300	208/230	1	28.6	15.6	207A	60/370	P291-6003	88-108/330	P281-8806
ZP42K5E-PFV-830	P021-42212P	42000	208/230	1	24.3	17.1	207B	60/370	P291-6003	175-216/330	P281-1766
ZP41K3E-TFE-830	P021-4381P	43100	575	3	5.7	16.2	207B	NR	NR	NR	NR
ZP44KCE-PFV-930	P021-4321	43800	208/230	1	27.1	16.1	207A	50/370	P291-5003	NR	NR
ZP44KCE-PFV-830	P021-4322P	43800	208/230	1	15.3	16.2	207B	50/370	P291-5003	NR	P281-8806
ZP44K3E-TFE-830	P021-4481P	44300	575	3	6.2	16.2	207B	NR	NR	NR	NR
ZP50K3E-PFV-830	P021-5021	50500	208/230	1	30	17.9	207A	80/370	P291-8003	NR	NR
ZP50K3E-PFV-830	P021-5022P	50500	208/230	1	30	17.8	207B	80/370	P291-8003	270-324/330	P281-2706

Compressors, Chillers & Condensers

HERMETIC SCROLL COPELAND

R-410A, 60 HZ

RCD/SUPPLIER NO	OLD PART NO	BTUH	VOLTS	PH	RLA	H	DWG	RUN CAP MFD/VOLT	RUN CAP PART NO	ST CAP MFD/VOLT	ST CAP PART NO
ZP51K5E-PFV-830	P021-5121P	51000	208/230	1	29.4	17	207B	70/370	P291-7003	175-216/330	P281-1766
ZP51K3E-TFE-830	P021-5181P	51400	575	3	6.8	17.8	207B	NR	NR	NR	NR
ZPS51K4E-TF5-830	P021-5152P	51500	200/230	3	19.6	17.9	207J	NR	NR	NR	NR
ZPS51K4E-PFV-830	P021-5221P	52000	208/230	1	26	17.9	207J	80/370	P291-8003	270-324/330	P281-2706
ZP54K5E-PFV-830	P021-5324P	53500	208/230	1	29.3	19.7	207B	80/370	P291-8003	175-216/330	P281-1766
ZP54K3E-PFV-830	P021-5422	54400	208/230	1	30.7	17.8	207A	80/370	P291-8003	NR	N/A
ZP54K3E-PFV-830	P021-5424P	54400	208/230	1	30.7	17.8	207B	80/370	P291-8003	270-324/330	P281-2706
ZP54K3E-TF5-830	P021-5453P	54400	200/230	3	20.2	17.8	207B	NR	NR	NR	NR
ZP57KCE-PFV-930	P021-5724	57000	208/230	1	33.6	17.9	207A	80/370	P291-8003	NR	NR
ZP57K3E-PFV-830	P021-5726P	57000	208/230	1	33.6	17.8	207B	80/370	P291-8003	NR	NR
ZP57K3E-TFE-830	P021-5882P	58000	575	3	8.5	17.8	207B	NR	NR	NR	NR
ZP67KCE-TFE-830	P021-6781P	67500	575	3	8.6	17.8	207B	NR	NR	NR	NR

R-410A, 50/60HZ

RCD/SUPPLIER NO	OLD PART NO	BTUH	VOLTS	PH	HZ	RLA	H	DWG
ZP26K3E-TFD-930	P021-2571	25700	460	3	50/60	5	14.8	207A
ZP26K3E-TFD-830	P021-2572P	25700	460	3	50/60	5	14.8	207B
ZP26K3E-TF5-930	P021-2654	26000	200/230	3	50/60	10.7	14.8	207A
ZP29K5E-TFD-830	P021-2972P	29000	460	3	50/60	6.3	15.8	207B
ZP32K3E-TFD-830	P021-3071P	30500	460	3	50/60	5.7	15.6	207B
ZPS30K4E-TFD-830	P021-3072P	30500	460	3	50/60	5	16.5	207J
ZP32K3E-TF5-930	P021-3252	32000	200/230	3	50/60	13.6	14.8	207A
ZP32K3E-TFD-930	P021-3273	32000	400/460	3	50/60	5.7	15.6	207A
ZP36K3E-TFD-830	P021-3573P	35600	460	3	50/60	7.1	16.2	207B
ZP36K5E-TFD-830	P021-3675P	36000	460	3	50/60	6.6	17.1	207B
ZP36K3E-TFD-930	P021-3674	36300	460	3	50/60	7.1	16.4	207A
ZP36K3E-TF5-930	P021-3654	36600	200/230	3	50/60	15	16.4	207A
ZP38K3E-TFD-830	P021-3771P	37600	460	3	50/60	7.8	16.2	207B
ZP39K5E-TFD-830	P021-3971P	39000	460	3	50/60	6.8	17.1	207B
ZPS40K4E-TFD-830	P021-4077P	40500	460	3	50/60	7.1	16.5	207J
ZP41K3E-TFD-830	P021-4075P	40700	460	3	50/60	7.9	16.2	207B
ZP41K3E-TF5-930	P021-4152	41100	200/230	3	50/60	16.4	16.4	207A
ZP41K3E-TFD-930	P021-4172	41100	460	3	50/60	7.2	16.4	207A
ZP44K3E-TF5-830	P021-4451P	44300	200/230	3	50/60	17.9	16.2	207B
ZP44K3E-TFD-830	P021-4471P	44300	460	3	50/60	7.9	16.2	207B
ZP50K3E-TF5-830	P021-5051P	50400	200/230	3	50/60	19.6	17.8	207B
ZP51K5E-TFD-830	P021-5153P	51000	460	3	50/60	8.6	17.1	207B
ZP50K3E-TF5-930	P021-5151	51400	200/230	3	50/60	19.6	17.9	207B
ZP50K3E-TFD-830	P021-5171P	51400	460	3	50/60	8.6	17.8	207B
ZPS51K4E-TFD-830	P021-5172P	51500	460	3	50/60	10	17.9	207J
ZP54K3E-TF5-930	P021-5451	54400	200/230	3	50/60	20.2	17.9	207A
ZP54K3E-TFD-930	P021-5471	54400	460	3	50/60	10	17.9	207A
ZP54K3E-TFD-830	P021-5472P	54400	460	3	50/60	10	17.8	207B
ZP54K3E-TFE-830	P021-5481P	54400	575	3	50/60	7.6	17.8	207B
ZP57K3E-TF5-830	P021-5852P	58000	200/230	3	50/60	22.9	17.8	207B
ZP57K3E-TFD-830	P021-5872P	58000	460	3	50/60	10.7	17.8	207B
ZP67KCE-TFD-830	P021-6771P	67000	400/460	3	50/60	11.8	17.8	207B
ZP67KCE-TF5-830	P021-6751P	67500	200/230	3	50/60	25	17.8	207B

Compressors, Chillers & Condensers

Compressors,
Chillers, Condensers

Motors

Electrical

Heating
Components

Indoor Air
Quality

Thermostats

Oils &
Chemicals

Accessories, Supplies
& Commodities

Tools &
Instruments

Refrigeration

PART NUMBERING GUIDE

HERMETIC
COPELAND COPELAWELD

COPELAND COPELAWELD HERMETIC RECIP COMPRESSOR GUIDE TO PART NUMBERING SYSTEM:

COMPRESSOR FAMILY SERIES

Either a number or a letter established for each product model.

COMPRESSOR MOTOR PROTECTION

Code - Description (Type)
F - Internal Inherent Protection One Protector Use With Contactor (Single or Three Phase)

COMPRESSOR MOTOR TYPES

Code - Description (Type)
P - 1 Phase, Capacitor Run, Permanent Split Capacitor, General
T - 3 Phase, 3 Lead Single Voltage 6 Lead Part Winding (575 Volt)

COMPRESSOR CAPACITY

Compressor nominal capacity at rating condition to two or three significant digits

ELECTRICAL CODES

Code - 60Hz
C - 208/230V - 3 Phase
D - 460V - 3 Phase
E - 575V - 3 Phase
J - 265V - 1 Phase
V - 208/230V - 1 Phase
5 - 200/240V - 3 Phase

FEET & ELECTRIC CONNECTIONS

Code	Mtg. Feet	Terminal Fence	Molded	Service
1 -	4	-	Plug	-
2 -	4	Square	-	-
3 -	3	-	Plug	-
4 -	3	Square	-	-
5 -	4	Round	-	-
6 -	3	Round	-	-
7 -	-	-	Plug	BOM
8 -	-	Round	-	BOM
9 -	-	Square	-	BOM

Example:

X X X X X X - X X X - X X X

CAPACITY MULTIPLIER

Code - Description
K - 1,000

APPLICATION RANGE

Code - Description
R - R-22 Refrigerant for High Temperature A/C & Heat Pump

MODEL VARIATION

A number or letter assigned to indicate different model types within any one family series.

REFRIGERANT CONNECTIONS

Code	Suction Conn.	Process Tube	CCH
1 -	-	-	-
2 -	Straight*	Yes	-
3 -	Straight*	-	-
4 -	Elbow	Yes	-
5 -	Elbow	-	-
6 -	Straight*	Yes	Yes
7 -	Straight*	-	Yes
8 -	Elbow	Yes	Yes
9 -	Elbow	-	Yes

* Incl all Rotolock

ROTOLOCK CONNECTIONS, SIGHTGLASS & MOUNTS

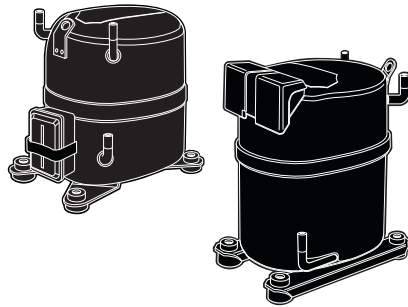
Code	ROTOLOCK Suction	Sight Glass	Mounting Feet	Mounts	Specials
1 -	-	-	4	F	-
2 -	-	-	4	E	-
3 -	-	-	3	D	-
4 -	-	-	-	-	-
5 -	Plus Discharge	-	4	A	-
6 -	Only	-	4	-	-
7 -	Plus Discharge	Yes	4	A	-
8 -	Only	Yes	4	A	-
9 -	-	-	-	-	BOM
A-L	-	-	-	-	Builds
M -	-	Yes	4	E	-
N -	Plus Discharge	Yes	4	E	-
P -	-	Yes	4	F	-
Q -	Plus Discharge	Yes	4	F	-
R -	-	Yes	3	D	-
S -	-	Yes	-	-	-
T -	Plus Discharge	Yes	3	D	-
U -	-	Yes	3	G	-
V -	Plus Discharge	Yes	3	G	-

Compressors, Chillers & Condensers

HERMETIC RECIP

COPELAND

R-22, 50/60 HZ



- Low noise and vibration levels
- For heat pump, air conditioning duty and refrigeration duty as indicated
- R-22
- 50/60 Cycles

RCD/SUPPLIER NO	OLD PART NO	BTUH	VOLTS	PH	RLA	H	DWG	MTG ARR	RUN CAP MFD/VOLT	RUN CAP PART NO	ST CAP MFD/VOLT	ST CAP PART NO
CR22K6-TFD-960	P021-2272	22000	460	3	3.9	13.4	203B	A	N/R	NR	NR	NR
CR24K6-TFD-960	P021-2471	24000	460	3	4	13.4	203C	A	N/R	NR	NR	NR
CR28K6-TF5-960	P021-2851	28100	200/230	3	10	13.5	203C	A	N/R	NR	NR	NR
CR28K6-TF5-877	P021-2854P	28100	200/230	3	10	13.6	203D	A	N/R	NR	NR	NR
CR28K6-TFD-960	P021-2871	28100	460	3	4.8	13.5	203A	A	N/R	NR	NR	NR
CR30K6-TFD-960	P021-2971	29800	460	3	4.9	13.8	203C	A	N/R	NR	NR	NR
CR30K6-TF5-970	P021-3051	29800	200/230	3	10.4	13.8	203B	A	N/R	NR	NR	NR
CR30K6-PFJ-970	P021-30214	30000	265	1	13.6	13.8	203C	A	40/440	P291-4004	145-174/250	P281-1455
CR32K6-TF5-920	P021-3251	31900	200/230	3	10	14.1	203B	A	N/R	NR	NR	NR
CR32K6-TF5-870	P021-3253P	31900	200/230	3	10	13.8	203D	A	N/R	NR	NR	NR
CR32K6-TFD-830	P021-3274P	31900	460	3	5.1	13.8	203D	A	N/R	NR	NR	NR
CR32K6-TFD-920	P021-3272	32000	460	3	5.1	14.1	203B	A	N/R	NR	NR	NR
CR34KQ-TF5-980WB	P021-3352	33900	200/230	3	11.8	14	203A	A	N/R	NR	NR	NR
CR35K6-TFD-920	P021-3571	34800	460	3	4.8	14.1	203C	A	N/R	NR	NR	NR
CR35K6-TF5-960	P021-3551	34900	200/230	3	11.4	14.1	203C	A	N/R	NR	NR	NR
CR38K6-TF5-960	P021-3851	38000	208/230	3	11.9	14.3	203B	A	N/R	NR	NR	NR
CR38K6-TFD-960	P021-3871	38100	460	3	5.9	15	203B	A	N/R	NR	NR	NR
CR42K6-TF5-960	P021-4253	41700	200/230	3	14	14.3	203B	A	N/R	NR	NR	NR
CR42K6-TF5-830	P021-4257P	41700	200/230	3	14.1	14.6	203D	A	N/R	NR	NR	NR
CR42K6-TFD-960	P021-4272	41700	460	3	6.4	14.3	203C	A	N/R	NR	NR	NR
CR42K6-TFD-877	P021-4274P	41700	460	3	6.4	14.6	203E	A	N/R	NR	NR	NR
CR47KQ-TF5-980WB	P021-4752	47200	200/230	3	16	14.8	203A	A	N/R	NR	NR	NR
CR47KQ-TFD-980WB	P021-4772	47200	460	3	8.2	14.8	203A	A	N/R	NR	NR	NR
CR53KQ-TF5-980WB	P021-5353	53200	200/230	3	18	14.8	203A	A	N/R	NR	NR	NR
CR53KQ-TFD-980WB	P021-5374	53200	460	3	9.1	14.8	203A	A	N/R	NR	NR	NR
CRT5-0450-TF5-961	P021-5551	55600	208/230	3	19.6	15.9	203B	A	N/R	NR	NR	NR
CRT5-0450-TFD-961	P021-5571	55600	460	3	10.4	15.9	203B	A	N/R	NR	NR	NR
CRP5-0450-TF5-960	P021-5851	58600	208/230	3	19.6	16.2	203A	A	N/R	NR	NR	NR
CRP5-0450-TFD-960	P021-5871	58600	460	3	10.4	16.2	203A	A	N/R	NR	NR	NR
CRN5-0500-TFD-960	P021-6072	63300	460	3	9.6	16.5	203A	A	N/R	NR	NR	NR
CRN5-0500-TF5-960	P021-6351	63300	200/230	3	21.4	16.2	203A	A	N/R	NR	NR	NR
BRE2-0750-TFC-902	P021-9052	94700	208/230	3	31.1	18.4	205A	J	N/R	NR	NR	NR
BRE2-0750-TFD-903	P021-9072	94700	460	3	15.8	18.4	205A	J	N/R	NR	NR	NR
BRG2-0900-TFC-902	P021-11051	110000	208/230	3	38.5	18.4	205A	J	N/R	NR	NR	NR
BRG2-0900-TFD-903	P021-11071	110000	460	3	19.3	18.4	205A	J	N/R	NR	NR	NR
BRH2-1000-TFC-902	P021-12553	125000	208/230	3	42.1	18.4	205A	J	N/R	NR	NR	NR
BRH2-1000-TFD-903	P021-12572	125000	460	3	21.1	18.4	205A	J	N/R	NR	NR	NR
BRK2-1200-TFC-901	P021-15051	150000	208/230	3	48.8	18.4	205A	J	N/R	NR	NR	NR
BRK2-1200-TFD-901	P021-15071	150000	460	3	24.2	18.4	205A	J	N/R	NR	NR	NR

Compressors,
Chillers, Condensers

Motors

Electrical

Heating
Components

Indoor Air
Quality

Thermostats

Oils &
Chemicals

Accessories, Supplies
& Commodities

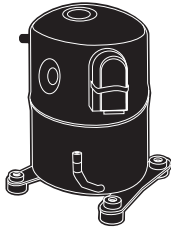
Tools &
Instruments

Refrigeration

Compressors, Chillers & Condensers

Compressors,
Chillers, Condensers

**HERMETIC
RECIP
COPELAND
R-22, 60 HZ**



- External Line Break Overload
- Low Noise Vibration Levels
- Lightweight

Motors

Electrical

Heating
Components

Indoor Air
Quality

Thermostats

Oils &
Chemicals

Accessories, Supplies
& Commodities

Tools &
Instruments

Refrigeration

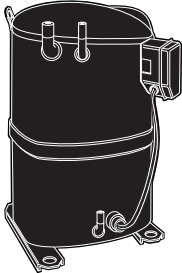
RCD/SUPPLIER NO	OLD PART NO	BTUH	VOLTS	PH	RLA	H	DWG	MTG ARR	RUN CAP MFD/VOLT	RUN CAP PART NO	ST CAP MFD/VOLT	ST CAP PART NO
RR12K1-PFV-900	P021-1221	12300	208/230	1	7.1	11.5	201A	A	20/370	P291-2003	108-130/250	P281-1085
RC70C1-PFV-900	P021-1521	13400	208/230	1	7	11.5	201B	B	25/370	P291-2503	88-108/250	P281-8805
RR14K1-PFV-945	P021-1524	15200	208/230	1	8.5	11.5	201A	A	25/370	P291-2503	43-56/330	P281-4306
RR14K1-PFJ-946	P021-1591	15400	265	1	6.9	11.1	201A	C2	25/440	P291-2504	NR	NR
CR16K6-PFV-920	P021-1622	16200	208/230	1	9.6	13.2	203B	A	25/370	P291-2503	145-175/250	P281-1455
CR16K6-PFV-870	P021-1626P	16300	208/230	1	9.6	13.2	203D	A	25/370	P291-2503	145-174/250	P281-1455
CR16K6-PFJ-960	P021-1693	16300	265	1	9	13.2	203B	A	25/370	P291-2503	88-108/330	P281-8806
RR16K1-PFV-971	P021-1721	17000	208/230	1	9.5	11.7	201A	A	25/370	P291-2503	43-56/330	P281-4306
RR16K1-PFV-945	P021-1722	17000	208/230	1	9.5	11.7	201A	C2	25/370	P291-2503	43-56/330	P281-4306
CVA1-0150-TFC-270	P021-1761	17500	230	3	6	13.8	202A	A	NR	NR	NR	NR
RR16K1-PFJ-945	P021-1791	16830	265	1	8.4	11.1	201A	C2	25/440	P291-2504	53-64/330	P281-5306
RES3-0175-PFJ-900	P021-1792	16850	265	1	7.1	11.7	201A	B	25/370	P291-2503	53-64/330	P281-5306
CR18K6-PFV-960	P021-1820	18000	208/230	1	10.4	13.2	203B	A	25/370	P291-2503	145-174/250	P281-1455
CR18K6-PFV-878	P021-18213P	18000	208/230	1	10.4	13.2	203D	A	25/370	P291-2503	145-174/250	P281-1455
RR14K1-PFV-900	P021-1823	15200	208/230	1	8.5	11.5	201A	B	25/370	P291-2503	108-130/330	P281-1086
REY3-0175-PFV-802	P021-1827	18300	208/230	1	10.4	11.5	201A	C2	30/370	P291-3003	43-56/330	P281-4306
RR17K1-PFV-946	P021-1828	18300	208/230	1	10.4	11.5	201A	A	30/370	P291-3003	43-56/330	P281-4306
CR20K6-PFV-960	P021-1923	19600	208/230	1	10.9	13.3	203C	A	30/370	P291-3003	145-174/250	P281-1455
RR17K1-PFV-900	P021-2123	18300	208/230	1	10.3	12	201A	B	30/370	P291-3003	75-90/330	P281-7506
RR16K1-PFV-900	P021-2126	16830	208/230	1	9.5	11.8	201A	B	25/370	P291-2503	88-108/250	P281-8805
CR22K6-PFV-870	P021-22210P	22100	208/230	1	10.9	13.3	203D	A	30/370	P291-3003	145-174/220	P281-1455
CR22K6-PFV-960	P021-2224	22100	208/230	1	10.9	13.3	203B	A	30/370	P291-3003	145-175/250	P281-1455
CR22K6-TF5-960	P021-2252	22000	200/230	3	7.5	13.3	203B	A	NR	NR	NR	NR
CR22K6-PFJ-960	P021-2292	22100	265	1	9.9	13.3	203B	A	30/440	P291-3004	130-156/330	P281-1356
CR24K6-PFV-877	P021-24213P	24500	208/230	1	12.4	13.4	203D	A	35/370	P291-3503	145-174/250	P281-1455
CR24K6-TF5-960	P021-2451	24000	200/230	3	7.7	13.5	203B	A	NR	NR	NR	NR
CR24K6-PFJ-960	P021-2491	24500	265	1	10.9	13.5	203B	A	35/440	P291-3504	NR	NR
CR24K6-PFV-960	P021-2521	24500	208/230	1	12.4	13.4	203B	A	35/370	P291-3503	145-175/250	P281-1455
CR28K6-PFV-877	P021-28211P	28200	208/230	1	15.3	13.6	203E	A	35/370	P291-3503	145-175/250	P281-1455
CR28K6-PFV-960	P021-2823	28200	208/230	1	15.3	13.6	203B	A	35/370	P291-3503	145-175/250	P281-1455
CR30K6-PFV-877	P021-30212P	30000	208/230	1	16	13.8	203E	A	35/370	P291-3503	145-174/250	P281-1455
CR30K6-PFV-920	P021-3028	30000	208/230	1	16	14.8	203B	A	35/370	P291-3503	145-174/250	P281-1455
CR32K6-PFV-960	P021-3221	32000	208/230	1	16.1	14.1	203B	A	35/440	P291-3504	145-174-250	P281-1455
CR32K6-PFV-870	P021-3226P	32000	208/230	1	16.1	13.8	203D	A	35/440	P291-3504	145-174/250	P281-1455
CR32K6-PFJ-930	P021-3291	32000	265	1	15	13.8	203B	A	35/440	P291-3504	NR	NR
CTH1-0275-CSV-960	P021-3422	34500	208/230	1	17.6	16.6	209A	A	35/440	P291-3504	145-174/330	P281-1456
CR35K6-TFE-970	P021-3482	34900	575	3	4.1	14.1	203B	A	NR	NR	NR	NR
CR35K6-PFV-960	P021-3521	35000	208/230	1	18	14.1	203B	A	40/370	P291-4003	189-227/330	P281-1896
CR35K6-PFV-877	P021-3522P	35000	208/230	1	18	14.1	203E	A	40/370	P291-4003	189-227/330	P281-1896
CR38K6-PFV-960	P021-3821	38000	208/230	1	19	14.6	203B	A	40/440	P291-4004	189-227-330	P281-1896
CR38K6-PFV-877	P021-3824P	38200	208/230	1	19	14.3	203E	A	40/440	P291-4004	189-227/330	P281-1896
CR38K6-TFE-960	P021-3881	37900	575	3	4.8	14.3	203B	A	NR	NR	NR	NR
CR42K6-TFE-970	P021-4182	41700	575	3	5.2	14.3	203B	A	NR	NR	NR	NR
CR42K6-PFV-960	P021-4226	41900	208/230	1	20.4	14.3	203C	A	40/440	P291-4004	189-227/330	P281-1896
CR42K6-PFV-877	P021-4229P	41900	208/230	1	20.4	14.6	203E	A	40/440	P291-4004	189-227/330	P281-1896
CR47KQ-PFV-980WB	P021-4722	47500	208/230	1	24.6	14.8	203A	A	45/440	P291-4504	189-227/330	P281-1896
CTL1-0350-CSV-960	P021-4922	48800	208/230	1	21.6	16.6	203A	A	45/440	P291-4504	145-174/330	P281-1456
BRG2-0900-TFE-904	P021-11081	110000	575	3	14.4	18.8	205B	J	N/R	NR	NR	NR

Compressors, Chillers & Condensers

**HERMETIC
RECIP
COPELAND
R-22, 60 HZ**

RCD/SUPPLIER NO	OLD PART NO	BTUH	VOLTS	PH	RLA	H	DWG	MTG ARR	RUN CAP MFD/VOLT	RUN CAP PART NO	ST CAP MFD/VOLT	ST CAP PART NO
CR53KQ-PFV-980WB	P021-5323	53700	208/230	1	29	14.8	203A	A	60/440	P291-6004	189-227/330	P281-1896
CRT5-0450-PFV-961	P021-5521	55300	208/230	1	30.7	15.8	203B	A	45/440	P291-4504	64-77/330	P281-6406
CTM1-0400-CSV-911	P021-5522	55000	208/230	1	30.8	16.6	203B	A	50/440	P291-5004	175-216/330	P281-1896
CRP5-0450-PFV-960	P021-5821	58300	208/230	1	30.7	16.5	203A	A	45/440	P291-4504	189-227/330	P281-1896
CRP5-0450-TFE-960	P021-5881	58400	575	3	6.4	16.2	203A	A	NR	NR	NR	NR
CRN5-0500-PFV-960	P021-6023	62700	208/230	1	34.3	16.5	203A	A	55/440	P291-5504	108-130/330	P281-1086
CRN5-0500-TFE-960	P021-6081	63300	575	3	7.9	16.5	203A	A	NR	NR	NR	NR
BRE2-0750-TFE-904	P021-9081	94700	575	3	13	18.4	205A	J	NR	NR	NR	NR

R-407C, 50/60 HZ



- Low noise and vibration levels
- For heat pump, air conditioning duty and refrigeration duty as indicated
- R407C
- AC/HP Duty
- 460V 3 Phase
- 50/60 Cycles

NOTE: Run Capacitors listed are "Single" type. If a "Dual" type capacitor is required check "Capacitors" Section of this catalog.

RCD/SUPPLIER NO	OLD PART NO	BTUH	RLA	H	DWG	MTG ARR	RUN CAP MFD/VOLT	RUN CAP PART NO	ST CAP MFD/VOLT	ST CAP PART NO
CR24KQE-TFD-240AA	P021-2273	22500	6.8	13.4	203A	A	NR	NR	NR	NR
CR30KQE-TFD-240AA	P021-2872	28800	4.7	14.1	203B	A	NR	NR	NR	NR
CR36KQE-TFD-280AB	P021-3572	35200	4.8	14.3	203B	A	NR	NR	NR	NR
CR41KQE-TFD-280AB	P021-4074	40200	5.6	14.6	203A	A	NR	NR	NR	NR

Compressors,
Chillers, Condensers

Motors

Electrical

Heating
Components

Indoor Air
Quality

Thermostats

Oils &
Chemicals

Accessories, Supplies
& Commodities

Tools &
Instruments

Refrigeration

Compressors, Chillers & Condensers

Compressors,
Chillers, Condensers

Motors

Electrical

Heating
Components

Indoor Air
Quality

Thermostats

Oils &
Chemicals

Accessories, Supplies
& Commodities

Tools &
Instruments

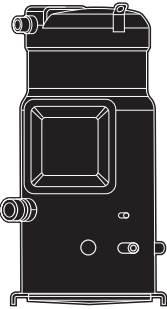
Refrigeration

HERMETIC SCROLL

DANFOSS

R-22, 60 HZ

- For Heat Pump & Air Conditioning duty
- R-22
- 3 Phase



PART NO	SUPPLIER PART NO	BTUH	VOLTS	RLA	H	DWG	MTG ARR	RUN CAP MFD/VOLTS	ST CAP MFD/VOLTS
P040-10751	SM110S3VA	107800	200/230	32.1	21.6	407C	X	NR	NR
P040-10761	SM110S9VA	107800	380	18.6	21.6	407C	X	NR	NR
P040-10781	SM110S7VA	107800	575	12.9	21.6	407C	X	NR	NR
P040-11551	SM115S3CA	115200	200/230	37.1	22.4	407E	Y	NR	NR
P040-11561	SM115S9CA	115200	380	22.9	22.4	407C	Y	NR	NR
P040-11581	SM115S7CA	115200	575	13.6	22.4	407E	Y	NR	NR
P040-12551	SM120S3VA	125300	200/230	35.7	22	407F	X	NR	NR
P040-12561	SM120S9VA	125300	380	21.4	22	407F	X	NR	NR
P040-12581	SM120S7VA	125300	575	13.6	22	407F	X	NR	NR
P040-12651	SM125S3CA	126400	200/230	37.1	22.9	407E	Y	NR	NR
P040-12661	SM125S9CA	126400	380	22.9	22.4	407C	Y	NR	NR
P040-12681	SM125S7CA	126400	575	13.6	22.4	407E	Y	NR	NR
P040-16251	SM161T3VA	162600	200/230	45.7	23.3	407G	X	NR	NR
P040-16261	SM161T9VA	162600	380	25	23.3	407G	X	NR	NR
P040-16281	SM161T7VA	162600	575	17.9	23.3	407G	X	NR	NR
P040-16351	SM160T3CB	163000	200/230	43.6	24.9	407D	Y	NR	NR
P040-16361	SM160T9CB	163000	380	25.7	24.9	407C	Y	NR	NR
P040-16381	SM160T7CA	163000	575	17.9	24.9	407D	Y	NR	NR
P040-17451	SM175S3CA	174300	200/230	53.6	26.2	407B	Z	NR	NR
P040-17461	SM175S9CA	174300	380	33.6	26.2	407B	Z	NR	NR
P040-17481	SM175S7CA	174300	575	20	26.2	407B	A	NR	NR
P040-18551	SM185S3CA	185400	200/230	53.6	26.7	407B	Z	NR	NR
P040-18561	SM185S9CA	185400	380	33.6	26.7	407C	Z	NR	NR
P040-18581	SM185S7CA	185400	575	20	26.7	407B	Z	NR	NR

R-22, 50/60 HZ

PART NO	SUPPLIER PART NO	BTUH	APPL	VOLTS	PH	HZ	RLA	H	DWG	MTG ARR	RUN CAP MFD/VOLTS	ST CAP MFD/VOLTS	ST RELAY PART NO
P040-10771	SM110S4VA	107800	AC/HP	460	3	50/60	14.3	21.6	407C	X	NR	NR	NR
P040-11571	SM115S4CA	115200	AC/HP	460	3	50/60	17.9	22.4	407E	Y	NR	NR	NR
P040-12571	SM120S4VA	125300	AC/HP	460	3	50/60	20.7	22	407F	X	NR	NR	NR
P040-12671	SM125S4CA	126400	AC/HP	460	3	50/60	17.9	22.9	407E	Y	NR	NR	NR
P040-16271	SM161T4VA	162600	AC/HP	460	3	50/60	22.9	22.9	407G	X	NR	NR	NR
P040-16371	SM160T4CB	163000	AC/HP	460	3	50/60	20.7	24.9	407D	Y	NR	NR	NR
P040-17471	SM175S4CA	174300	AC/HP	460	3	50/60	25	26.2	407B	Z	NR	NR	NR
P040-18571	SM185S4CA	185400	AC/HP	460	3	50/60	25	26.7	407B	Z	NR	NR	NR

R-410A, 50/60 HZ

PART NO	SUPPLIER PART NO	BTUH	VOLTS	HZ	RLA	H	DWG	MTG ARR	RUN CAP MFD/VOLTS	ST CAP MFD/VOLTS	ST RELAY PART NO
P040-24071	SH240A4AC	240000	460	50/60	36.4	26.1	407F	Z	NR	NR	NR
P040-30071	SH300A4AC	300000	460	50/60	46.4	27.4	407F	Z	NR	NR	NR

Compressors, Chillers & Condensers

HERMETIC SCROLL DANFOSS

R-410A, 60 HZ



- AC/HP Duty
- R-410A
- 3 Phase
- 60 Cycles

PART NO	SUPPLIER PART NO	BTUH	VOLTS	RLA	H	DWG	MTG ARR	RUN CAP MFD/VOLTS	ST CAP MFD/VOLTS	ST RELAY PART NO
P040-24051	SH240A3AC	240000	208/230	75	26.1	407F	Z	NR	NR	NR
P040-24061	SH240A9AC	240000	380	42.9	26.1	407F	Z	NR	NR	NR
P040-24081	SH240A7AC	240000	575	29.3	26.1	407F	Z	NR	NR	NR
P040-30051	SH300A3AC	300000	208/230	94.3	27.4	407F	Z	NR	NR	NR
P040-30061	SH300A9AC	300000	380	60.7	27.4	407F	Z	NR	NR	NR
P040-30081	SH300A7AC	300000	575	37.9	27.4	407F	Z	NR	NR	NR

LARGE, DROP-IN FOR TRANE ROOFTOP - R-22

SUPPLIER PART NO	BTUH	APPL	VOLTS	NOM TON-NAGE	SUCT ID	DISC ID	TRANE MODEL NO
SM115-3QAI	108,000	AC	208/230	9T	1 3/8	7/8	CSHA093J & R
SM115-4QAI	108,000	AC	460	9T	1 3/8	7/8	CSHA093K
SM125-3QAI	120,000	AC	208/230	10T	1 3/8	7/8	CSHA1003J & R
SM125-4QAI	120,000	AC	460	10T	1 3/8	7/8	CSHA100K
SM175-3QAI	158,000	AC	208/230	14T	1 5/8	1 1/8	CSHA14DJ & R
SM175-4QAI	158,000	AC	460	14T	1 5/8	1 1/8	CSHA14DK
SM185-3QAI	180,000	AC	208/230	15T	1 5/8	1 1/8	CSHA150J & R
SM185-4QAI	180,000	AC	460	15T	1 5/8	1 1/8	CSHA150K

Compressors,
Chillers, Condensers

Motors

Electrical

Heating
Components

Indoor Air
Quality

Thermostats

Oils &
Chemicals

Accessories, Supplies
& Commodities

Tools &
Instruments

Refrigeration

Compressors, Chillers & Condensers

Compressors,
Chillers, Condensers

Motors

Electrical

Heating
Components

Indoor Air
Quality

Thermostats

Oils &
Chemicals

Accessories, Supplies
& Commodities

Tools &
Instruments

Refrigeration

TECUMSEH PART NUMBER GUIDE

TECUMSEH NOMENCLATURE:

AE	A	4	4	40	Y	XA
Compressor Family	Release Variant (Generation)	Application	Number of Digits In Rated BTU Capacity	First Two Digits of Rated BTU Capacity	Refrigerant	Voltage

In this example (4) total digits, with the first two (40), or 4,000 BTU capacity

AE
AG
AH
AJ
AK
AN
AV
AW
AZ
RG
RK
SA
SF
TP

A = 1st
B = 2nd
C = 3rd
Etc.

Primary Application Parameters		
Evap. Temperature	Rating Pt.	Motor Starting Torque
1. Low	-10°F	Normal
2. Low	-10°F	High
3. High	+45°F	Normal
4. High	+45°F	High
5. Air Cond. *	+45°F	Normal
6. Medium	+20°F	Normal
7. Medium	+20°F	High
8. Air Cond.	+49°F	Normal
9. Commercial	+20°F	High
0. Commercial	+20°F	Normal
A. Medium/Low	+20°F	Normal

*Application "5" compressors when applied to condensing units become application "4" in the unit's model number.

Primary Refrigerants	
A=R12	
B=R410A	
C=R407C	
E=R22	
J=R502	
Y=R134a	
Z=R404A/R507	

Voltage Codes	
XA=115-60-1; 100-50-1	
XB=230-60-1; 200-50-1	
XC=220-240-50-1	
XD=208-230-60-1; 200-50-1	
XF=208-230-60-3; 200-240-50-3	
XG=460-60-3; 380-420-50-3	
XH=575-60-3; 480-520-50-3	
XN=208-230-60-1; 200-220-50-1	
XP=220-60-1; 200-50-1	
XT=200-230-60-3; 200-220-50-3	
XU=100-60-1; 100-50-1	
XV=265-60-1	
AB=115-60-1; 90-50-1	

Note: For explanations of voltages not listed, contact Tecumseh Products Company.

TECUMSEH SERIAL NUMBER INFORMATION

Tecumseh Serial Label Information

The only source for complete compressor information is on the compressor serial label. On earlier compressors, the serial plate is usually spotwelded on the upper housing of the compressor. For current

compressors, the serial label is affixed in the same location. Both describe the characteristics of the compressor.

The months are identified as identified in Table 2-1.

Table 2-1: Serial Label Month Identifiers

January - A	March - C	May - E	July - G	September - J	November - L
February - B	April - D	June - F	August - H	October - K	December - M

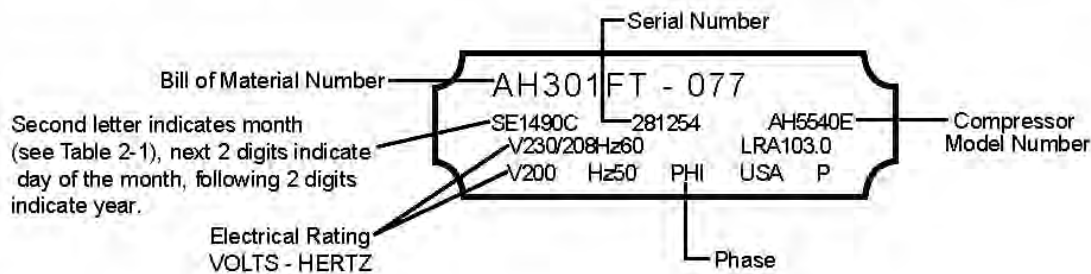


Figure 2-3. Compressor serial label.

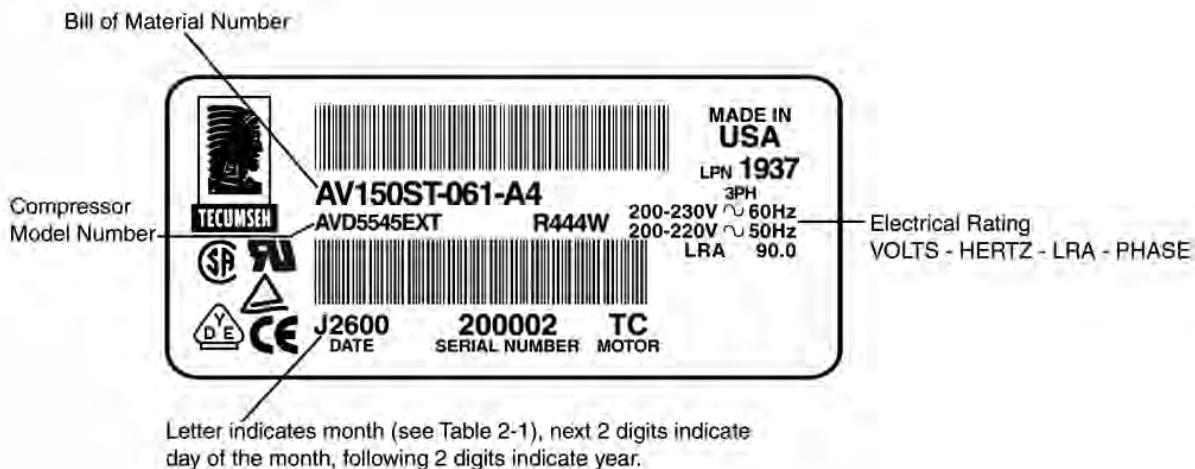


Figure 2-4. Compressor serial plate.

TECUMSEH SERIAL NUMBER INFORMATION

SUBJECT: COMPRESSOR SERIAL LABEL

We have begun a global program to implement a new label on all compressors regardless of the plant of manufacture. This will enable us to be more consistent in labeling product and also help us track compressors for quality and warranty programs.

The new label is quite similar to the old one except for the date code and serial number location and appearance. The new label runs the date code and serial number together and adds a few more digits.

Old label: Date code, serial number and motor information are the last line on the label.

And the information looks like: B2304 149165 TC

New label: The date code and serial number information are contained in a sequence that appears as follows on the label: 51A020411123456A.

Read this sequence as follows:

51	A0204	1	1	123456	A
<i>Plant of Mfg.</i>	<i>Date Code</i>	<i>Line</i>	<i>Shift</i>	<i>Serial No.</i>	<i>Special Marking</i>

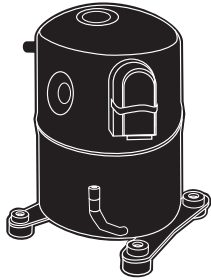
You may also see on the label other approval agency markings such as those used in India, Brazil or other countries along with the usual UL and CSA markings.

The model number, bill of material, voltage and LRA appear on the label as usual.

The implementation of this program began at Tecumseh Brazil in November of 2003, followed by Tecumseh India in December of 2003. Other dates for implementation are: Tecumseh Division: January 20, 2004, Tupelo Division: February 24, 2004, Tecumseh Europe March 1, 2004 except AE, AJ and AK which will be April 2004.

Compressors, Chillers & Condensers

**HERMETIC
RECIP
TECUMSEH**
R-22, 60Hz



- For Room Air Conditioning cooling • Single Phase
- External Line Break Overload • R-22
- Low Noise and Vibration Levels • 60 Cycles
- Adaptable to limited cabinet space
- Lightweight

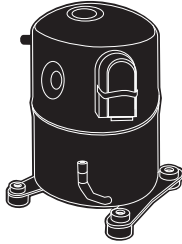
NOTE: Run Capacitors listed are "Single" type. If a "Dual" type capacitor is required check "Capacitors" Section of this catalog.

PART NO	SUPPLIER PART NO	BTUH	VOLTS	PH	RLA	H	DWG	MTG ARR	RUN CAP MFD/VOLTS	RUN CAP PART NO	ST CAP MFD/VOLTS	ST CAP PART NO	ST RELAY PART NO
P031-0502	AEA8458EXA	5800	115	1	5.2	8.5	313C	DB	15/370	P291-1503	21-25/330	P281-2106	HN61KA054
P031-0601	AEA5470EXA	6500	115	1	7.7	8.7	313B	DB	15/370	P291-1503	21-25/330	P281-2106	HN61KA054
P031-0701	AKA5470EXA	7000	115	1	7.1	9	314A	DB	15/370	P291-1503	21-25/330	P281-2106	HN61KA054
P031-0703	AEA8475EXA	7500	115	1	7	8.5	313D	DB	15/370	P291-1503	21-25/330	P281-2106	HN61KA054
P031-0721	AKA8475EXD	7500	208/230	1	2.8	9.5	313A	DB	15/370	P291-1503	21-25/330	P281-2106	HN61KA054
P031-0791	AKA8475EXV	7500	265	1	2.6	9.5	313A	DB	15/370	P291-1503	21-25/330	P281-2106	HN61KA054
P031-0801	AKA5483EXA	8300	115	1	9	9	314A	DB	15/370	P291-1503	21-25/330	P281-2106	HN61KA054
P031-0821	AKA5483EXD	8300	208/230	1	4.4	9	314A	DB	15/370	P291-1503	21-25/330	P281-2106	HN61KA054
P031-0891	AKA5483EXV	8300	265	1	3.9	9.4	314A	DB	15/370	P291-1503	21-25/330	P281-2106	HN61KA054
P031-0902	AKA8494EXA	9400	115	1	7	9.5	313A	DB	35/370	P291-3503	21-25/330	P281-2106	HN61HB497
P031-0922	AKA8494EXD	9400	208/230	1	3.5	9.4	313A	DB	15/370	P291-1503	21-25/330	P281-2106	HN61KA054
P031-0992	AKA8494EXV	9400	265	1	3	9.4	313A	DB	15/370	P291-1503	21-25/330	P281-2106	HN61KA054
P031-1091	AKA5510EXV	10000	265	1	5	9	314A	DB	15/370	P291-1503	21-25/330	P281-2106	HN61KA054
P031-1101	AKA5511EXA	11000	115	1	11	9	314A	DB	15/370	P291-1503	21-25/330	P281-2106	HN61KA054
P031-1104	AKA8511EXA	11400	115	1	8.9	8.8	314A	DB	25/370	P291-2503	21-25/330	P281-2106	HN61KA054
P031-1121	AKA5511EXD	11000	208/230	1	5.9	9	314A	DB	15/370	P291-1503	21-25/330	P281-2106	HN61KA054
P031-1221	AKA8512EXD	12000	208/230	1	4.6	9.4	313A	DB	25/370	P291-2503	21-25/330	P281-2106	HN61KA054
P031-1291	AKA5512EXV	12000	265	1	5.5	9	314A	DB	25/370	P291-2503	21-25/330	P281-2106	HN61HB510
P031-1292	AKA8512EXV	12000	265	1	4.2	9	313A	DB	15/370	P291-1503	21-25/330	P281-2106	HN61KA054
P031-1302	AKA8513EXA	13500	115	1	10.8	9.5	313A	DB	25/370	P291-2503	43-56/320	P281-4306	HN61KA054
P031-1324	AKA8513EXD	13500	208/230	1	5.8	9.5	313A	DB	15/370	P291-1503	43-56/320	P281-4306	HN61KA054
P031-1325	AJB5513EXD	13200	208/230	1	7.5	11	301A	B	17/370	P291-1703	21-25/330	P281-2106	HN61KA054
P031-1326	AJB5513EXD	13200	208/230	1	7.5	11	301A	C2	17/370	P291-1703	21-25/330	P281-2106	HN61KA054
P031-1392	AKA8513EXV	13500	265	1	4.7	9.5	313A	DB	15/370	P291-1503	43-56/320	P281-4306	HN61HB490
P031-1521	AJB5515EXD	15000	208/230	1	8.5	10.8	301A	B	20/370	P291-2003	21-25/330	P281-2106	HN61KA054
P031-1524	AKA8515EXD	15000	208/230	1	6.2	9.4	313A	DB	25/370	P291-2503	21-25/330	P281-2106	HN61KB036
P031-1525	AJB5515EXD	15000	208/230	1	8.5	11	301A	C2	20/370	P291-2003	21-25/330	P281-2106	HN61KA054
P031-1527	AWG5515EXN	15500	208/230	1	7.3	13.1	302B	A	20/370	P291-2003	145-175/330	P281-1456	P283-9914
P031-1591	AJB5515EXV	15000	265	1	7.4	10.8	301A	B	20/440	P291-2004	21-25/330	P281-2106	HN61HB510
P031-1593	AKA8515EXV	15000	265	1	5.4	9.4	313A	DB	15/440	P291-1504	21-25/330	P281-2106	HN61HB510
P031-1693	AWF5516EVA	16700	265	1	5.8	13.1	310A	A	25/440	P291-2504	72-88/330	P281-7206	P283-9930
P031-1721	AJA5517EXD	17000	208/230	1	11	11.1	301A	B	25/370	P291-2503	21-25/330	P281-2106	HN61KA054
P031-1723	AWG5517EXN	17000	208/230	1	7.7	13.1	302A	A	25/370	P291-2503	21-25/330	P281-2106	P283-9924
P031-1724	AWF5517EXN	17000	208/230	1	6.9	13.1	310A	A	35/370	P291-3503	88-108/330	P281-8806	P283-9924
P031-1791	AJA5518EXV	17000	265	1	10.5	11.1	301A	B	25/370	P291-2503	21-25/330	P281-2106	HN61HB510
P031-1794	AWG5517EVA	17000	265	1	6.8	13.1	302B	A	25/370	P291-2503	88-108/330	P281-8806	P283-9918
P031-1894	AWF5518EVA	18000	265	1	6.7	13.1	310A	A	35/440	P291-3504	72-88/330	P281-7206	P283-9924
P031-1921	AJA5519EXD	19000	208/230	1	11.6	11.3	301A	B	25/370	P291-2503	75-90/330	P281-7506	HN61HB496
P031-19210	AWF5519EXN	19000	208/230	1	7.7	13.1	310A	A	35/370	P291-3503	88-108/330	P281-8806	P283-9924
P031-1927	AJA5519EXD	19000	208/230	1	10.2	11	301A	C2	25/370	P291-2503	21-25/330	P281-2106	HN61KA054
P031-1928	AWG5519EXN	19000	208/230	1	8.6	13.1	302B	A	25/370	P291-2503	145-175/330	P281-1456	P283-9913
P031-1929	AWG5519EXN	19000	208/230	1	8.6	13.1	302A	A	25/370	P291-2503	145-175/330	P281-1456	P283-9913
P031-1991	AJA5519EXV	19000	265	1	12	11.4	301A	B	25/440	P291-2504	21-25/330	P281-2106	HN61KB109
P031-1993	AWG5519EVA	19100	265	1	7.5	13.1	302B	A	25/370	P291-2503	88-108/330	P281-8806	--
P031-2191	AWF5522EVA	21800	265	1	7.8	13.1	310A	A	35/370	P291-3503	88-108/330	P281-8806	P283-9924
P031-2224	AWF5522EXN	22000	208/230	1	8.8	13.1	310A	A	35/370	P291-3503	145-175/330	P281-1456	P283-9936

Compressors, Chillers & Condensers

Compressors,
Chillers, Condensers

**HERMETIC
RECIP
TECUMSEH
R-22, 60Hz**



Motors

Electrical

Heating
Components

Indoor Air
Quality

Thermostats

Oils &
Chemicals

Accessories, Supplies
& Commodities

Tools &
Instruments

Refrigeration

PART NO	SUPPLIER PART NO	BTUH	VOLTS	PH	RLA	H	DWG	MTG ARR	RUN CAP MFD/VOLTS	RUN CAP PART NO	ST CAP MFD/VOLTS	ST CAP PART NO	ST RELAY PART NO
P031-2429	AWF5524EXN	24400	208/230	1	10	13.1	310A	A	35/370	P291-3503	145-175/330	P281-1456	P283-9913
P031-2492	AWG5524EVA	24700	265	1	9.2	13.1	302A	A	35/440	P291-3504	88-108/330	P281-8806	--
P031-2493	AWF5524EVA	24700	265	1	8.9	13.1	310A	A	35/440	P291-3504	88-108/330	P281-8806	P283-9919
P031-2824	AWG5528EXN	28400	208/230	1	13.5	13.1	302B	A	35/370	P291-3503	88-108/330	P281-8806	P283-9924
P031-2825	AWF5528EXN	28400	208/230	1	11.2	13.1	310A	A	45/370	P291-4503	145-175/330	P281-1456	P283-9924
P031-2892	AWF5528EVA	28400	265	1	10.5	13.1	310A	A	35/370	P291-3503	88-108/330	P281-8806	-
P031-3025	AWG5530EXN	30200	208/230	1	14.4	13.1	302A	A	45/370	P291-4503	145-175/330	P281-1456	P283-9924
P031-3123	AVA5532EXN	31460	208/230	1	14.5	14.9	306B	A	35/370	P291-3503	88-108/250V	P281-8805	HN61KB023
P031-3124	AWG5532EXN	31500	208/230	1	15.1	13.1	302B	A	45/370	P291-4503	145-175/330	P281-1456	P283-9924
P031-3191	AVA5532EXV	31460	265	1	12.2	14.9	306C	A	35/440	P291-3504	88-108/330V	P281-8806	HN61KB023
P031-3221	AVA5532EXN	31292	208/230	1	14.5	14.9	307A	A	35/370	P291-3503	88-108/250V	P281-8805	HN61HB495
P031-3223	AWF5532EXN	32000	208/230	1	13.4	13.1	310A	A	45/370	P291-4503	145-175/330	P281-1456	P283-9924
P031-3291	AVA5532EXV	32000	265	1	12.2	14.9	307A	A	35/440	P291-3504	88-108/330	P281-8806	P283-9924
P031-3481	AVB5535EXH	34500	575	3	4	14.6	306B	A	NR	NR	NR	NR	NR
P031-3522	AVB5535EXN	35000	208/230	1	14.2	14.6	306C	A	45/370	P291-4503	88/108/330V	P281-8806	P283-9924
P031-3523	AVA5535EXN	34600	208/230	1	15.7	14.9	307A	A	40/370	P291-4003	88-108/250	P281-8805	-
P031-3822	AVA5538EXN	37750	208/230	1	17.2	15.3	306C	A	35/440	P291-3504	77-88/330V	P281-7206	HN61HB495
P031-3823	AVC5538EXN	37551	208/230	1	17.2	14.6	307A	A	35/440	P291-3504	77-88/330V	P281-7206	HN61HB495
P031-4181	AVB5542EXH	41500	575	3	4.4	14.6	306C	A	NR	NR	NR	NR	NR
P031-4221	AVC5542EXN	41560	208/230	1	18.3	14.6	307A	A	40/440	P291-4004	77-88/330V	P281-7206	HN61HB495
P031-4222	AVB5542EXN	42000	208/230	1	17.1	14.6	306C	A	45/440	P291-4504	77-88/330V	P281-7206	HN61KB036
P031-4621	AGA5546EXN	46000	208/230	1	22.7	15.8	305A	A	40/440	P291-4004	77-88/330V	P281-7206	HN61HB495
P031-4622	AVA5546EXN	46000	208/230	1	21.5	14.6	306C	A	40/440	P291-4004	77-88/330V	P281-7206	HN61HB495
P031-4623	AVC5546EXN	46700	208/230	1	20.4	14.6	307A	A	45/440	P291-4504	72-88/330	P281-7206	P283-9934
P031-4921	AVB5549EXN	49000	208/230	1	20.5	14.6	306C	A	45/440	P291-4504	88-108-330V.	P281-8806	HN61HB496
P031-4981	AVB5549EXH	48800	575	3	5.4	14.6	306C	A	N/R	NR	NR	N/R	N/R
P031-5321	AGA5553EXN	53000	208/230	1	26.2	16.1	305A	A	45/440	P291-4504	77-88/330V	P281-7206	HN61HB495
P031-5381	AGA5553EXH	51100	575	3	6	16.1	305A	A	N/R	NR	NR	N/R	N/R
P031-5721	AVB5558EXN	57500	208/230	1	24.8	14.6	306B	A	45/440	P291-4504	135-155/320	P281-1356	P283-9913
P031-5781	AVB5558EXH	57000	575	3	6.3	14.6	306B	A	N/R	NR	NR	N/R	N/R
P031-6121	AGA5561EXN	60000	208/230	1	30.5	16.4	305A	A	55/440	P291-5504	77-88/330V	P281-7206	HN61HB495
P031-6181	AGA5561EXH	58200	575	3	7	15.9	305A	A	N/R	NR	NR	N/R	N/R
P031-6821	AGA5568EXN	66850	208/230	1	34.5	16.9	305A	A	55/440	P291-5504	77-88/330V	P281-7206	HN61HB495
P031-6881	AGA5568EXH	64900	575	3	8.2	16.3	305A	A	N/A	NR	NR	N/A	N/A
P051-2432	AWG5530EVA	24800	220/240	1	12	13.1	302B	A	45/440	P291-4504	88-108/330	P281-8806	-
P051-2632	AWF5532EVA	26500	220/240	1	12.2	13.1	310A	A	45/440	P291-4504	88-108/330	P281-8806	N/A

Compressors, Chillers & Condensers

**HERMETIC
RECIP
TECUMSEH**

R-22, 50/60 HZ

PART NO	SUPPLIER PART NO	BTUH	APPL	VOLTS	RLA	H	DWG	MTG ARR	RUN CAP MFD/VOLTS	ST CAP MFD/VOLTS
P031-2151	AWF5522EXT	21300	AC/HP	200/230	5.6	13.1	310A	A	N/R	NR
P031-2171	AWF5522EXG	21300	AC/HP	460	2.9	13.1	310A	A	N/R	NR
P031-2453	AWF5524EXT	24700	AC/HP	208/230	6.4	13.1	310A	A	N/R	NR
P031-2472	AWF5524EXG	24400	AC/HP	460	3.2	13.1	310A	A	N/R	NR
P031-2854	AWF5528EXT	28000	AC/HP	200/230	7.6	13.1	310A	A	N/R	NR
P031-2872	AWF5528EXG	28000	AC/HP	460	3.8	13.1	310A	A	N/R	NR
P031-3152	AVA5532EXT	31460	AC/HP	200/230	8.9	14.6	306B	A	N/R	NR
P031-3153	AWF5532EXT	31500	AC/HP	200/230	8.6	13.1	310A	A	N/R	NR
P031-3174	AWF5532EXG	31500	AC/HP	460	4.3	13.1	310A	A	N/R	NR
P031-3252	AVA5532EXT	31500	AC/HP	200/230	8.9	14.6	307A	A	N/R	NR
P031-3272	AVA5532EXG	31460	AC/HP	460	4.4	14.6	307A	A	N/R	NR
P031-3471	AVB5535EXG	34500	AC/HP	460	4.6	14.6	306C	A	N/R	NR
P031-3551	AVA5535EXT	34600	AC/HP	200/230	9.7	14	306C	A	N/R	NR
P031-3552	AVB5535EXT	34500	AC/HP	200/230	9.2	14.6	306C	A	N/A	NR
P031-3854	AVA5538EXT	37750	AC/HP	208/230	10.8	14.6	307A	A	N/A	NR
P031-3855	AVB5538EXT	37500	HP	208/230	12.9	14.6	306C	A	N/A	NR
P031-3872	AVA5538EXG	38400	AC/HP	460	8	14.6	307A	A	N/A	NR
P031-3873	AVA5538EXG	38400	AC/HP	460	5.3	14.6	306C	A	N/A	NR
P031-4151	AVB5542EXT	41500	AC/HP	200/230	11.3	14.6	306B	A	N/R	NR
P031-4171	AVB5542EXG	41500	AC/HP	460	5.65	14.6	306C	A	N/R	NR
P031-4251	AVA5542EXT	42500	AC/HP	200/230	12	14.6	307A	A	N/A	NR
P031-4271	AVA5542EXG	41560	AC/HP	460	5.9	14.6	307A	A	N/R	NR
P031-4651	AGA5546EXT	46000	AC/HP	200/230	13.5	15.8	305A	A	N/R	NR
P031-4652	AVA5546EXT	46000	AC/HP	208/230	13.3	14.6	307A	A	N/R	NR
P031-4672	AVA5546EXG	46000	AC/HP	460	10.9	14.6	307A	A	N/R	NR
P031-4873	AVB5549EXG	48000	AC/HP	460	6.7	14.6	306C	A	N/R	NR
P031-4951	AVB5549EXT	48500	AC/HP	208/230	13.5	14.6	306C	A	N/R	NR
P031-5351	AGA5553EXT	53000	AC/HP	208/230	15.5	16.1	305A	A	N/R	NR
P031-5371	AGA5553EXG	53000	AC/HP	460	7.8	16.1	305A	A	N/R	NR
P031-5751	AVB5558EXT	57000	AC/HP	200/230	15.7	14.6	306B	A	N/R	NR
P031-5771	AVB5558EXG	57000	AC/HP	460	7.8	14.6	306B	A	N/R	NR
P031-6151	AGA5561EXT	60000	AC/HP	200/230	18	15.9	305A	A	N/R	NR
P031-6171	AGA5561EXG	60000	AC/HP	460	9.5	15.9	305A	A	N/R	NR
P031-6851	AGA5568EXT	66850	AC/HP	208/230	20.2	16.7	305A	A	N/A	NR
P031-6871	AGC5568EXG	66850	AC/HP	460	10.6	16.4	305A	A	N/A	NR
P031-7171	AGA5573EXG	71280	AC/HP	460	11.8	16.3	305A	A	N/A	NR
P051-5051	AG5561E	50700	A/C	200	20.5	15.6	305A	A	N/R	NR
P051-5071	AG5561E	50800	AC	380/420	9.5	15.6	305A	A	N/R	NR

R-22, 50 HZ

PART NO	SUPPLIER PART NO	BTUH	RLA	H	DWG	MTG ARR	RUN CAP MFD/VOLTS	RUN CAP PART NO	ST CAP MFD/VOLTS	ST CAP PART NO	ST RELAY PART NO
P051-0531	AEA5465EXC	5400	3.3	9	313B	DB	15/370	P291-1503	21-25/330	P281-2106	HN61KB023
P051-0731	AKA5483EXC	6900	4	9.2	314A	DB	15/370	P291-1503	21-25/330	P281-2106	HN61HB496
P051-0831	AKA5510EXC	8300	5.2	9.2	314A	DB	20/370	P291-2003	21-25/330	P281-2106	HN61KB054
P051-1031	AKA5512EXC	10000	6	9.2	314A	DB	20/370	P291-2003	21-25/330	P281-2106	HN61KA054
P051-1132	AK144JT-009-S7Y	11300	4.8	8.8	313A	DB	15/370	P291-1503	21-25/330	P281-2106	HN61KA054
P051-1231	AJB5515EXC	12500	8	10.9	301A	B	20/370	P291-2003	21-25/330	P281-2106	HN61KA054
P051-1233	AJB5515EXC	12500	8	10.9	304D	C2	45/370	P291-4503	21-25/330	P281-2106	HN61KA054
P051-1432	AJA5517EXC	14000	10.2	11.4	301A	B	25/370	P291-2503	21-25/330	P281-2106	HN61KA054
P051-1433	AJA5517EXC	13800	11	11.3	304D	C2	25/370	P291-2503	21-25/330	P281-2106	HN61KA054
P051-1531	AJA5518EXC	15400	11.3	11.3	304D	C2	30/370	P291-3003	21-25/330	P281-2106	HN61HB490
P051-1532	AJA5518EXC	15400	11.3	11.4	301A	B	25/370	P291-2503	21-25/330	P281-2106	HN61KB023
P051-1534	AWG5519EVA	15700	7.7	13.1	302B	A	25/370	P291-2503	88-108/330	P281-8806	P283-9918
P051-1837	AWG5522EVA	18300	8.7	13.1	302A	A	25/370	P291-2503	88-108/330	P281-8806	P283-9918
P051-1838	AWG5522EVA	18300	8.7	13.1	302A	K	25/370	P291-2503	88-108/330	P281-8806	P283-9918
P051-1839	AW5522EVA	18300	8.7	13.1	302B	A	25/370	P291-2503	88-108/330	P281-8806	P283-9918
P051-2033	AWA5524EXC	20650	9.7	13.1	302B	A	35/370	P291-3503	88-108/330	P281-8806	HN61HB496
P051-2331	AWA5528EXC	23300	11.3	13.2	302A	A	35/370	P291-3503	88-108/330	P281-8806	HN61HB496
P051-2731	AWB5532EXC	27000	12.9	13.1	310A	A	45/370	P291-4503	88-108/330	P281-8806	HN61HB496
P051-3831	AVA5546EXC	38750	18.4	14.4	307A	A	40/440	P291-4004	135-155/320	P281-1356	HN61HB496

Compressors, Chillers & Condensers

Compressors,
Chillers, Condensers

ROTARY HERMETIC TECUMSEH

R-22, 60 HZ



- Rotary design means Low Noise & Vibration levels
- Air Conditioning & Heat Pump Applications
- High Efficiency
- Compact Design
- R-22
- AC/HP Duty
- Single Phase
- 60 Cycles

Motors

Electrical

Heating
Components

Indoor Air
Quality

Thermostats

Oils &
Chemicals

Accessories, Supplies
& Commodities

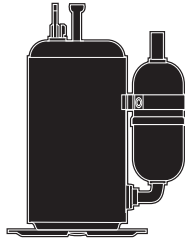
Tools &
Instruments

Refrigeration

PART NO	SUPPLIER PART NO	BTUH	VOLTS	RLA	H	DWG	MTG ARR	RUN CAP MFD/VOLTS	RUN CAP PART NO	ST CAP MFD/VOLTS	ST CAP PART NO	ST RELAY PART NO
P031-0504	RGB5450EXA	5050	115	4.1	10.7	317A	P	35/370	P291-3503	NR	NR	NR
P031-0505	RGA5450EXA	5000	115	4.4	10.3	317A	P	35/370	P291-3503	NR	NR	NR
P031-0603	RGA5460EXA	6000	115	5	10.9	312A	P	35/370	P291-3503	NR	NR	NR
P031-0604	RGB5460EXA	6000	115	4.8	10.7	317A	P	35/370	P291-3503	NR	NR	NR
P031-0622	HGA5467EXD	6750	208/230	2.8	5.8	312B	BB	15/370	P291-1503	NR	NR	NR
P031-0692	HGA5467EXV	6750	265	2.5	5.8	312B	BB	15/370	P291-1503	NR	NR	NR
P031-0704	RGA5472EXA	7200	115	6.2	11.3	312A	P	35/370	P291-3503	NR	NR	NR
P031-0705	RGB5472EXA	7200	115	6.4	10.9	317A	P	35/370	P291-3503	NR	NR	NR
P031-0722	RGA5472EXD	7250	208/230	3	11.3	312A	P	15/370	P291-1503	NR	NR	NR
P031-0792	RGA5472EXV	7250	265	2.7	11.3	312A	P	15/370	P291-1503	NR	NR	NR
P031-0802	RKA5480EXA	8100	115	6.6	10.6	312A	S	25/370	P291-2503	NR	NR	NR
P031-0803	RGA5480EXA	8000	115	7	11.4	317A	P	35/370	P291-3503	NR	NR	NR
P031-0823	HGA5480EXD	8150	208/230	3.5	5.8	312B	BB	15/370	P291-1503	NR	NR	NR
P031-0893	HGA5480EXV	8100	265	2.9	10.3	312B	BB	10/440	P291-1004	NR	NR	NR
P031-0901	RKA5490EXA	9200	115	7.4	10.6	312A	S	25/370	P291-2503	NR	NR	NR
P031-0921	RKA5490EXD	9100	208/230	3.8	11.2	312A	S	25/370	P291-2503	NR	NR	NR
P031-0991	RKA5490EXV	9100	265	3.3	11.2	312A	S	25/370	P291-2503	NR	NR	NR
P031-1004	RKA5510EXA	10300	115	8.6	10.5	312A	S	25/370	P291-2503	NR	NR	NR
P031-1005	RGA5510EXA	10200	115	8.9	11.3	312A	P	35/370	P291-3503	NR	NR	NR
P031-1103	RKA5512EXA	11700	115	9.4	11.6	312A	S	25/370	P291-2503	NR	NR	NR
P031-1105	RGA5512EXA	11500	115	10	11.2	312A	P	35/370	P291-3503	NR	NR	NR
P031-1122	RKA5512EXD	11700	208/230	4.4	11.3	312A	S	25/370	P291-2503	NR	NR	NR
P031-1124	HGA5512EXD	11500	208/230	5.5	5.8	312B	BB	20/440	P291-2004	NR	NR	NR
P031-1125	RGB5512EXD	11600	208/230	4.8	11.4	312A	P	25/370	P291-2503	NR	NR	NR
P031-1191	RKA5512EXV	11700	265	4.5	11.7	312A	S	25/440	P291-2504	NR	NR	NR
P031-1193	HGA5512EXV	11500	265	4.3	5.8	312B	BB	15/440	P291-1504	NR	NR	NR
P031-1301	RKA5513EXA	13200	115	11.4	11.4	312A	S	25/370	P291-2503	AS89ZL751	P421-4006	N/A
P031-1323	RKA5513EXD	13200	208/230	5.4	11.7	312A	S	25/370	P291-2503	NR	NR	NR
P031-1391	RKA5513EXV	13200	265	4.8	11.5	312A	S	25/440	P291-2504	NR	NR	NR
P031-1523	RKA5515EXD	15500	208/230	6.4	11.9	312A	S	25/370	P291-2503	NR	NR	NR
P031-1594	RKA5515EXV	15500	265	5.4	12.3	312A	S	25/440	P291-2504	NR	NR	NR
P031-1793	RKA5518EXV	17500	265	6.3	12.3	312A	S	25/440	P291-2504	NR	NR	NR
P031-1825	RKA5518EXD	17700	208/230	7.6	11.8	312A	S	25/370	P291-2503	NR	NR	NR

Compressors, Chillers & Condensers

ROTARY HERMETIC GOLDSTAR R-22, 60 HZ



- For small size air conditioners
- High EER: 10.8 – 11.0
- Lightweight construction
- Low noise and vibration
- R-22
- AC/HP Duty
- 60 Cycles
- Single Phase

PART NO	SUPPLIER PART NO	BTUH	APPL	VOLTS	RLA	H	DWG	MTG ARR	RUN CAP MFD/VOLTS	RUN CAP PART NO
P030-0521	QA086KAA	5900	AC/HP	208/230	1.9	10.7	408B	P	20/370	P291-2003
P030-0591	QA086QAA	5800	AC/HP	265	1.7	10.7	408B	P	15/440	P291-1504
P030-0701	QA114CAC	7950	AC/HP	115	6.8	10.6	408B	P	40/370	P291-4003
P030-0721	QA104KAD	7260	AC/HP	208/230	2.1	10.9	408B	P	20/370	P291-2003
P030-0791	QA104QA	7200	AC/HP	265	1.9	10.9	408B	P	15/370	P291-1503
P030-0821	125KL12A	8550	AC/HP	208/230	3.7	11.6	408B	S	25/370	P291-2503
P030-0822	QK125KBC	8800	AC/HP	208/230	3.7	10.9	408B	P	25/370	P291-2503
P030-0901	QK141CC	9900	AC/HP	115	8.1	10.8	408A	P	50/370	P291-5003
P030-0902	QK141CCD	9900	AC/HP	115	8.1	11.7	408B	S	50/370	P291-5003
P030-0921	QK141KBE	9800	AC/HP	208/230	4.2	10.9	408B	P	30/370	P291-3003
P030-0991	QK141QAA	9800	AC/HP	265	2.4	11.1	408C	P	20/440	P291-2004
P030-1001	QK145CA	10200	AC/HP	115	8.4	11.2	408B	P	60/370	P291-6003
P030-1021	QK147KAA	10150	AC/HP	208/230	4.5	11.2	408B	S	25/370	P291-2503
P030-1022	QK141KBG	10000	AC/HP	208/230	3	11.1	408C	P	30/370	P291-3003
P030-1121	QK164KBC	11500	AC/HP	208/230	5	11	408B	P	30/370	P291-3003
P030-1221	QK175KA	12100	AC/HP	208/230	5.3	11.6	408B	S	25/370	P291-2503
P030-1222	QK173KAH	12400	AC/HP	208/230	3.9	11.1	408C	P	25/370	P291-2503
P030-1291	QK173QAA	12000	AC/HP	265	3.1	11.1	408C	P	20/440	P291-2004

Compressors,
Chillers, Condensers

Motors

Electrical

Heating
Components

Indoor Air
Quality

Thermostats

Oils &
Chemicals

Accessories, Supplies
& Commodities

Tools &
Instruments

Refrigeration

Compressors, Chillers & Condensers

Compressors,
Chillers, Condensers

ROTARY HERMETIC MATSUSHITA/PANASONIC R-22, 60 HZ



- For heat pump and air conditioning duty
- Excellent reliability
- Low noise level
- High efficiency
- R-22
- AC/HP Duty
- 60 Cycles

Refer to the base unit for Start Capacitor & Relay P/N's for the following compressors:

P034-0601, P034-0901, P034-1121, P034-1521, P034-1621,
P034-1691, P034-1821, P034-2022, P034-2321

PART NO	SUPPLIER PART NO	BTUH	VOLTS	PH	RLA	H	DWG	MTG ARR	RUN CAP PART NO	ST CAP MFD/VOLTS	ST CAP PART NO
P034-0502	2R8S3R126A-6D	5595	115	1	4.8	10	403C	P	P291-3502	N/R	NR
P034-0503	2R8S126A-6H	5600	115	1	5.1	9.9	403F	P	P291-3503	N/R	NR
P034-0504	2R7S126A-6E	5040	115	1	4.6	9.9	403F	P	P291-3503	N/R	NR
P034-0506	2R7S126A-6J	5040	115	1	3.8	10	403F	P	P291-3503	N/R	NR
P034-0601	2R10B3R126G-SA	6700	115	1	5.8	10.6	-403C-	P	P291-2503	N/R	NR
P034-0602	2R10S3R126A-6C	6670	115	1	4.8	10	403C	P	P291-3502	N/R	NR
P034-0604	2R9S126A-6F	6410	115	1	6.6	10.2	403C	P	P291-3503	N/R	NR
P034-0605	2R10S126A-6G	6670	115	1	7	10	403F	P	P291-3503	N/R	NR
P034-0620	2R10S3R236A-6A	6625	208/230	1	2.7	10.5	403C	P	P291-1503	N/R	NR
P034-0690	2R10S3R276A-6A	6625	265	1	2.4	10.5	403C	P	P291-1503	N/R	NR
P034-0703	2R12S34126A-6A	7955	115	1	7.9	10.7	403C	P	P291-3503	N/R	NR
P034-0704	2R12S126A-6N	7955	115	1	7.9	10	403F	P	P291-3503	N/R	NR
P034-0705	2R11S3R126A-6A	7160	115	1	6.2	10.6	403C	P	P291-3503	N/R	NR
P034-0801	2R13S126A6F	8520	115	1	7.2	10.7	403C	P	P291-4003	N/R	NR
P034-0901	2P14C3R126A-1E	9200	115	1	7.8	12	403A	S	P291-3003	N/R	NR
P034-1002	2P15S126B-1N	10120	115	1	9.4	11.5	403F	P	P291-4003	N/R	NR
P034-1021	2P15S236A-10	10140	208/230	1	4.1	11.7	403A	S	P291-3003	N/R	NR
P034-1103	2P17S126B1F	11270	115	1	9.5	11.7	403A	S	P291-4503	N/R	NR
P034-1104	2P17S3R126B1A	11350	115	1	9.3	11.4	403E	S	P291-4503	N/R	NR
P034-1121	2K17C3R236A-7A	11300	208/230	1	5.1	12.5	403A	S	P291-3003	N/R	NR
P034-1122	2P17S3R236A-1A	11350	208/230	1	4.6	12.4	403A	S	P291-3003	N/R	NR
P034-1203	2P18S126B1F	12200	115	1	10.2	12.5	403A	S	P291-4503	N/R	NR
P034-1222	2P18S236-1A	12400	208/230	1	5.4	11.8	403A	S	P291-3003	N/R	NR
P034-1223	2P19C3R236A-1A	12660	208/230	1	5.2	12.5	403A	S	P291-3003	N/R	NR
P034-1521	2K21S3R236A-6A	15200	208/230	1	6.2	12.8	403A	S	P291-3503	N/R	NR
P034-1621	2K22S3R236A-6B	15990	208/230	1	6.6	13	-403A-	S	P291-3503	N/R	NR
P034-1691	2K22S3R276A	15990	265	0	5.7	13	403A	S	P291-3004	N/R	NR
P034-1722	2K25S236AHA	17300	208/230	1	7.3	13.3	403E	S	P291-3503	N/R	NR
P034-1821	2K25S3R236A-7A	18050	208/230	1	7.4	12.6	403A	S	P291-3503	N/R	NR
P034-2022	2K28S3R236A-6B	20315	208/230	1	8.3	12.7	403B	S	P291-4503	N/R	NR
P034-2321	2K32S3R236A-6A	22620	208/230	1	9.6	13.2	403A	S	P291-4503	N/R	NR
P034-2621	2J36C3R236A-1B	26310	208/230	1	11.2	13.1	403A	S	P291-3503	N/R	NR
P034-2921	2J39C3R236A-1E	29400	208/230	1	11.9	14.3	403E	U	P291-5003	N/R	NR

Motors

Electrical

Heating
Components

Indoor Air
Quality

Thermostats

Oils &
Chemicals

Accessories, Supplies
& Commodities

Tools &
Instruments

Refrigeration

Compressors, Chillers & Condensers

ROTARY HERMETIC TOSHIBA R-22, 60 HZ



- For Heat Pump & Air Conditioning duty
- Low Noise level
- Light Weight
- High Quality – manufactured with the latest High-Precision machine tools.
- R-22
- Single Phase
- 60 Cycles

PART NO	SUPPLIER PART NO	BTUH	VOLTS	RLA	H	DWG	MTG ARR	RUN CAP PART NO	ST CAP MFD/VOLTS	ST CAP PART NO
P035-0601	ERH62XA3-1K	5950	115	5.2	11	404E	P	P291-2503	NR	NR
P035-0701	ERH68XA3-1K	6750	115	5.9	11	404E	P	P291-1503	NR	NR
P035-0721	PRH68XA4-3K	6850	208/230	2.9	10.7	404E	P	P291-1503	NR	NR
P035-0791	PRH68XA4-6K	6850	265	3.3	11	404E	P	P291-1503	NR	NR
P035-0901	ERH88XA4-1K	9000	115	7.8	11.6	404D	P	P291-2503	NR	NR
P035-0923	PRH88XA4-3K	9000	208/230	3.9	11.6	404E	P	P291-1503	NR	NR
P035-0992	PRH88XA4-6K	9000	265	3.3	11.6	404E	P	P291-1503	NR	NR
P035-1021	PH106X2-3KU	10800	208/230	4.7	11.7	404D	S	P291-2503	NR	NR
P035-1102	EH112X2-1KU	11400	115	10.8	11.7	404D	S	P291-2503	NR	NR
P035-1201	EH120X2-1KU	12500	115	11.6	11.6	404D	S	P291-3003	NR	NR
P035-1222	PH120X2-3KU	12600	208/230	5.5	11.7	404D	S	P291-2503	NR	NR
P035-1291	PH120X2-6KU	12200	265	4.7	11.7	404F	S	P291-2503	NR	NR
P035-1301	EH134X2-1KU	13500	115	12.2	11.8	404D	S	P291-3503	NR	NR
P035-1621	PH160X2-3LU1	16200	208/230	7.5	12.6	404D	S	P291-3503	NR	NR
P035-1921	PH200X3-3LU	19800	208/230	8.5	13.5	404B	S	P291-4503	NR	NR
P035-2522	PH250X3-3LU	25000	208/230	10.7	12.1	404B	S	P291-4503	NR	NR
P035-3221	PH310X3-3MU	31900	208/230	12.1	12.1	404B	S	P291-4503	NR	NR

HERMETIC COMPRESSOR ACCESSORIES

STAKE ON COMPRESSOR REPAIR KITS



- Precision brass cylinder
- Won't breakdown under heat like plastic
- Wires are permanently attached
- Stainless steel set screws
- Standard factory 600 volt 65 strand machine wire
- Set of three color coded wires
- Insulator included
- Application wrench included
- Guaranteed for the life of the compressor

Part No	AWG	APPLICATION
TLC-3-12	12	1.5-3 ton
TLC-3-10	10	3.0-5.0 ton
TLC-3-8	8	5 ton & up

Compressors,
Chillers, Condensers

Motors

Electrical

Heating
Components

Indoor Air
Quality

Thermostats

Oils &
Chemicals

Accessories, Supplies
& Commodities

Tools &
Instruments

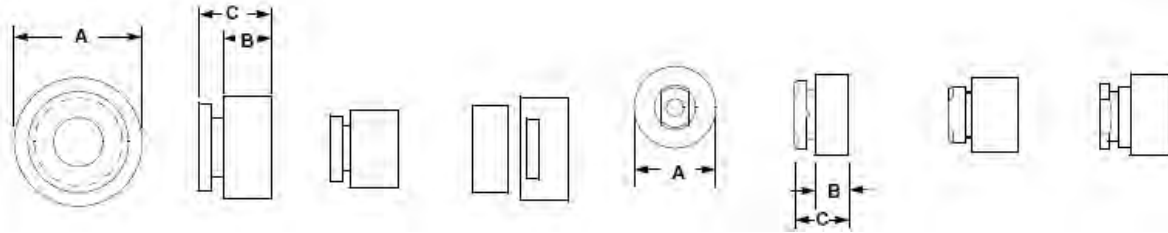
Refrigeration

Compressors, Chillers & Condensers

Compressors, Chillers, Condensers
 Motors
 Electrical
 Heating Components
 Indoor Air Quality
 Thermostats
 Oils & Chemicals
 Accessories, Supplies & Commodities
 Tools & Instruments
 Refrigeration

HERMETIC COMPRESSOR ACCESSORIES

COMPRESSOR GROMMETS



RCD PART NO*	SPEC NO	'A' GROMMET DI-AMETER (in)	'B' SUPPORT HEIGHT (in)	'C' GROMMET HEIGHT (in)	STYLE AND TYPE	DUROMETER HARDNESS	COMPRESSOR USAGE
P041-5101	KA56CR073	1.25	0.72	1.16	A-3	30-35	CAR-J COPE.
P041-5102	KA56CR078	1.25	0.72	1.16	B-2	45-50	COPE.
P041-5103	KA56CR079	1.62	0.75	1.16	B-1	35-45	COPE.
P041-5104	KA56TR014	1.25	0.375	0.6875	A-1	45-50	TEC. CAR-J,P
P041-5105	KA56TR017	1.25	0.593	0.906	A-1	37	TEC.-AJ, AH
P041-5106	KA56TR052	1.25	0.625	0.937	A-1	37	TEC.
P041-5107	KA56TR053	1.44	0.81	1.125	A-1	37	TEC.AB,AH,AJ,AV,AW
P041-5108	KA56TR055	1.625	1.156	1.437	A-2	37	TEC.-AG
P041-5109	KA56TR060	1.625	0.84	1.434	B-3	37	TEC.-AK,RK
P041-5111	KA56CROBO	1.25	0.72	1.16	B-2	60-70	COPE.
P041-5112	KA56CR082	1.25	0.72	1.16	B-2	25-30	--
P041-5113	KA56TR062	1.625	0.84	1.434	B-3	37	TEC.-AK,RK
P041-5114	KA56CR084	1.25	0.72	1.16	B-1	45-55	COPE.
P041-5115	WS821A4904	1.535	0.875	1.42	B-4	--	DAEWOO-CARRIER

TECUMSEH MOUNTING GROMMET PACKAGES

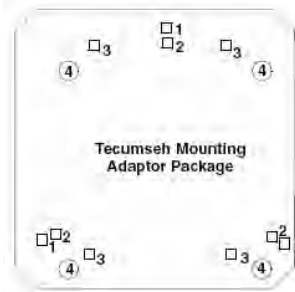
* All are packaged in quantities of (12)

RCD PART NO*	SPEC NO	COMPRESSOR USAGE
P041-5001	LP99	TECUMSEH AB, AH, AG Mounting grommet Pkg.
P041-5002*	LP15	TECUMSEH AJ Mounting grommet Pkg.
P041-5003	LP29	TECUMSEH CL/AG Mounting grommet Pkg.

TECUMSEH MOUNTING ADAPTOR PACKAGES

Adaptor Kit Contents

- 8 Grommets
- 8 Sleeves
- 4 Carriage Bolts 5/16-18 x 1-3/4
- 4 Lock Washers
- 4 Flat Washers 5/16 Inch x 3/4 Inch
- Instruction sheet.



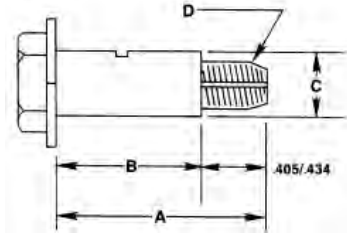
HOLE #	DESCRIPTION	P/N
1	Holes for mounting P or 3 & 4 cylinder R compressors. (G - mount)	
2	Holes for mounting 2 cylinder R compressors (F -mount)	P041-4003
3	Holes for "B" mount compressors. 8 inch x 4-13/16 inch	
4	Holes standard "A" mount. 7-1/2 inch x 7-1/2 inch	

Compressors, Chillers & Condensers

HERMETIC COMPRESSOR ACCESSORIES

COMPRESSOR BOLTS

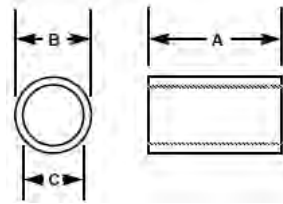
RCD PART NO*	SPEC NO	'A' (in)	'B' (in)	'C' OD (in)	'D' THREAD (in)	COMPRESSOR USAGE
P041-5301 & #31	AH01AM210	1.55	1.125	0.436	5/16-18-D	--
P041-5302 & #31	AH09AM202	0.958	0.646	0.436	5/16-12-B	TEC.CARL. COPE.
P041-5309	AH01EM205	2	1.5	0.418	5/16-18-D	TEC.
P041-5310	AH01AM208	1.375	0.875	0.47	5/16-18-D	TEC. TOSHIBA



*All are packaged in quantities of (12).

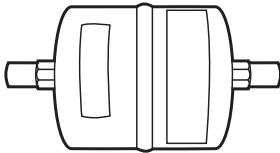
COMPRESSOR GROMMET SLEEVE

SPEC NO	RCD PART NO*	'A' (in)	'B' OD (in)	'C' ID (in)
KA56TS022	P041-5201	0.906	0.44	0.34



*All are packaged in quantities of (12).

RESIDENTIAL MUFFLERS 2 - 5 TON



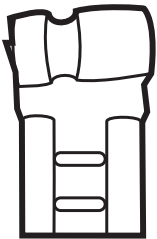
RCD PART NO*	NOM TON CAR	OD (in)	INLET* DIM (in)
LM10KH001	2	2-5/16	3/8
LM10HK010	3	2-15/16	1/2
LM680001	5	3	1/2

*Inlet and outlet dimensions are specified as I.D. unless otherwise indicated.

**90° elbow in inlet.

•• Supersedes LM10HK001, 002.

COMPRESSOR TERMINAL CONNECTOR



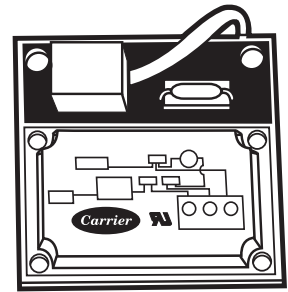
• Quick connect designed to fit Hermetic compressor terminal
P/N: HY61AM094

SINGLE FUNCTION TIME GUARD

SIZE: 3.4H x 3.4W x 1.7D

- Time guard II
- Solid state controlled recycle delay timer
- Operation: in the event of any power interruption, Time guard II provides a 5 min. delay which prevents rapid cycling of the compressor
- Wiring diagram is printed on time guard
- Operating volts: 24
- Load current @ 24v-1 amp
- Switching arrangement: SPST-N.O.

PART NO - HN67PA024



Compressors, Chillers & Condensers

Compressors, Chillers, Condensers

Motors

Electrical

Heating Components

Indoor Air Quality

Thermostats

Oils & Chemicals

Accessories, Supplies & Commodities

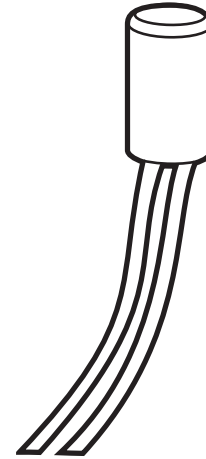
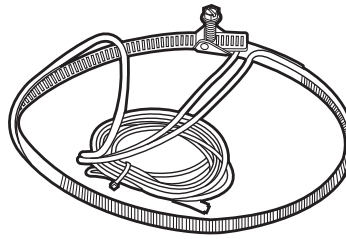
Tools & Instruments

Refrigeration

HERMETIC COMPRESSOR ACCESSORIES

CRANKCASE HEATERS

• Wrap around style...conforms to hermetic compressor shape



RCD PART NO*	SPEC NO	OUTLET DIM (in)	WATTS (HOT)	MAX VOLTS	VOLTS	LEAD LENGTH (in)
P041-4411	HT32BH115	--	40	120	24	A
P041-4412	HT32BH820	--	40	120	120	B
P041-4422	HT32BH274	TEC-AK	40	240	36	D
P041-4423	HT32BH246	TEC-AJ/COPE-RR, SR	40	240	50	E
P041-4443**	HT32ES515	CAR-SC,SR/COPE ZRK	40	240	50	D
P041-4424	HT32CH234A	CAR-J, W/COP-SR, HIT-RHC	40	240	50	H
P041-4441	HT32BH734	COPE-RR, SR	40	460	45	E
P041-4442	HT32CH734A	CAR-J, W/COPE-SR, HIT-RHC	40	460	50	H
P041-4444**	HT32ES717	CAR-SC, SR/COPE ZRK	40	460	50	D
HT32BH970	HT32BH970	CARLYLE SC/SR75-94	70	120	14	7.25.
HT32BH857	HT32BH857	CARLYLE SC/SR75-94	70	240	68	7.25.
HT32BH858	HT32BH858	CARLYLE SC/SR75-94	70	480	68	7.25.
P041-4721	HT32BH228	COPE-BR	70	240	34	F
P041-4741	HT32BH904	COPE-BR	70	480	34	G
HT32BH859	HT32BH859	COPE ZR94-144	90	240	80	9.15.
HT32BH860	HT32BH860	COPE ZR94-144	90	480	80	9.15.
HT32BH852	HT32BH852	COPE ZR16-19M3	70	240	18	11.14.
HT32BH853	HT32BH853	COPE ZR16-19M3	70	480	18	11.14.
HT32BH950	HT32BH950	MANEUROP SM	50	120	14	10.0.
HT32BH975	HT32BH975	MANEUROP SM	75	120	14	12.45.
HT32BH600	HT32BH600	CAR-J	40	277	16	A
HT32BH906	HT32BH906	CAR-W	40	575	72	H
HT32BH907	HT32BH907	CAR-J	40	575	50	H

PART NO	VENDOR PART NO	OUTLET DIM (in)	USED ON	WATTS	VOLTS
P041-4131	8HT5-507	TEC. AW	25-35	600	32

*= Size A fits circumferences of 24-5/16 to 33-1/2.

Size B fits circumferences of 30 to 39-3/8.

Size D fits circumferences of 20 to 25.

Size E fits circumferences of 23 to 35-1/4.

Size F fits circumferences of 27-7/8 to 39.

Size G fits circumferences of 28-3/8 to 37-1/2.

Size H fits circumferences of 28-3/8 to 35

**Fits both Copeland ZRK-16-72 size and Scroll Technologies 34-61 size compressors

HEAT SINK COMPOUND (1/2 oz. tube)

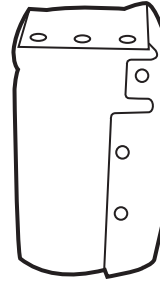
Part No. : 38AQ680001

COMPRESSOR PLUG ASSEMBLY

Part No. : P298-001

HERMETIC COMPRESSOR ACCESSORIES COMPRESSOR SOUNDSHIELD

PART NO	COMP MODEL USED ON	APPROXIMATE BLANKET HEIGHT (in)	CONST
38ES400384	BRISTOL H23A	14.8	A
314841-401	BRISTOL "H23, 2524"	16.25	B
320399-401	BRISTOL H-29	15	B
326830-401	BRISTOL T-89	17.4	B
310060-401 @	CARLYLE "J"	14.9	A
38UE500874 @	CARLYLE "M"	14	A
38UE500894	CARLYLE "P"	14	A
321538-401	CARLYLE "SC"	17.4	B
321538-402	CARLYLE "SR"	19.7	B
38EC500314	COPELAND "CR"	13	A
318415-401	COPELAND "CRK"	14.5	B
314840-401	COPELAND "CR--4"	14.5	B
312997-401	COPELAND "CR--5"	16	B
318414-401	COPELAND "CRK"	13.5	B
315997-401	COPELAND "CRL3"	14.5	B
38QB501484	COPELAND "RE"	11	A
38EC500344 @	COPELAND "YRD"	15	A
317035-401	COPELAND "ZR18-28"	14	B
317037-401	COPELAND "ZR34-42"	15	B
316739-401	COPELAND "ZR46-61"	21.4	B
38ED500404	TECUMSEH "AB"	10.62	A
312900-401 *	TECUMSEH "AB-AW"	13.92	A
38EC500334 @	TECUMSEH "AH, AJ"	13.75	A
38EC500564	TECUMSEH "AV"	14.92	A
314776-401 *	TECUMSEH "AV"	14.92	B
318416-401	TECUMSEH "AW"	13.92	B



- Compressor sound shield provides sound level reduction
- Constructed of:
 - A. Acoustical polyurethane foam with vinyl covering**
 - B. Polyethylene covered fiberglass**

*Finished Goods Accessories.
@ Limited to stock qty. on hand.

Compressors,
Chillers, Condensers

Motors

Electrical

Heating
Components

Indoor Air
Quality

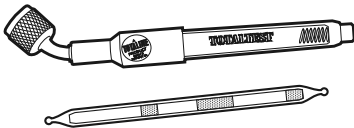
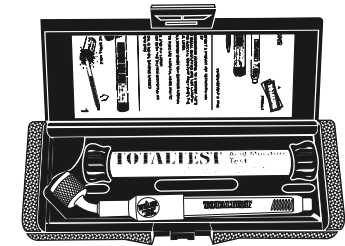
Thermostats

Oils &
Chemicals

Accessories, Supplies
& Commodities

Tools &
Instruments

Refrigeration



ACID/MOISTURE TEST KITS

THE TOTALTEST® KIT INCLUDES: PART # TT1-001

One TOTALTEST® Instrument, Two TOTALTEST® Test Tubes and a TOTALTEST® Kit case.

STD. PACK OF 6 KITS:for **R22, R12, R11, R502, R500**

THE TOTALTEST 2® KIT INCLUDES: PART # TT1-002

One TOTALTEST® Instrument, Two TOTALTEST® Test Tubes and a TOTALTEST® Kit case.

STD. PACK OF 6 KITS: Including tubes for **410A**

REPLACEMENT TEST TUBE PACK



REPAIR KIT - Part # TT3-001

TOTALTEST® TEST TUBE

Chemical crystals react with acid or moisture which may be present in system.

5 test tubes **PART # TT1-002**

Std. Pack of 6 replacement test tube 5 packs for **R22, R12, R11, R502 and R500**

Part # TT2-002 Std. Pack of 6 replacement test tube -5 packs for **R410A**

Repair kit includes: plastic holder for instrument, washer
Std. Pack of 6 repair kit

Compressors, Chillers & Condensers

Compressors,
Chillers, Condensers

Motors

Electrical

Heating
Components

Indoor Air
Quality

Thermostats

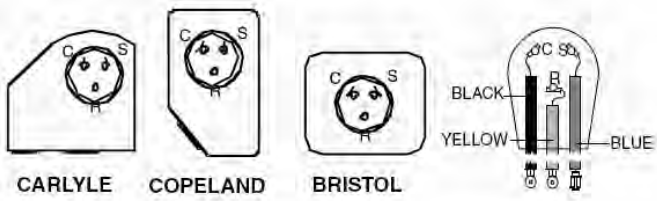
Oils &
Chemicals

Accessories, Supplies
& Commodities

Tools &
Instruments

Refrigeration

SERVICE COMPRESSOR PLUGS - HERMETIC

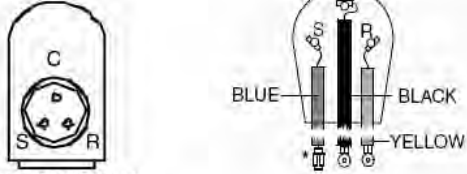


CARLYLE

COPELAND

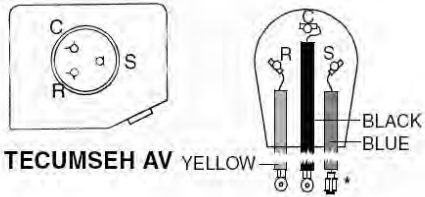
BRISTOL

PLUG PART NUMBER	WIRE GAUGE AWG	WIRE LENGTH		
		BLK	YEL	BLU
312906-413	10	44	44	44
312906-446	10	62	62	62
312906-426	10	92	92	85



TECUMSEH -AW-RK-H

PLUG PART NUMBER	WIRE GAUGE AWG	WIRE LENGTH		
		BLK	YEL	BLU
312906-411	14	38	38	50
312906-436	12	44	44	44
312906-422	14	80	80	72



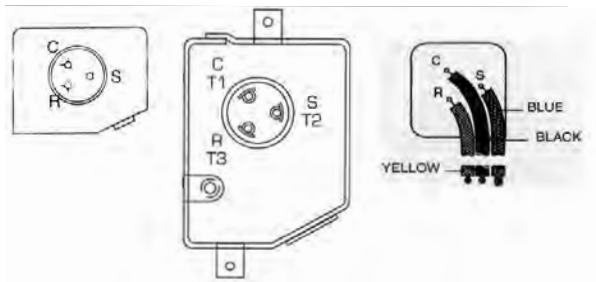
TECUMSEH AV

PLUG PART NUMBER	WIRE GAUGE AWG	WIRE LENGTH		
		BLK	YEL	BLU
312906-435	10	38	38	38
312906-428	12	44	44	44
312906-434	14	44	44	56



COPELAND SCROLL WITH FLAG TERMINALS

PLUG PART NUMBER	WIRE GAUGE AWG	WIRE LENGTH		
		BLK	YEL	BLU
317749-407	12	52	52	52
317749-415	10	44	44	44



COPELAND SCROLL WITH PIN TERMINALS

PLUG PART NUMBER	WIRE GAUGE AWG	WIRE LENGTH		
		BLK	YEL	BLU
312906-452	(2)10 (1)14	54	54	54
312906-455	12	54	54	54



COPELAND SCROLL WITH PIN TERMINALS

PLUG PART NUMBER	WIRE GAUGE AWG	WIRE LENGTH		
		BLK	YEL	BLU
327533-402*	12	54	54	54
324091-411	10	44	44	44
HY07MP240	14	70	70	70
324091-412	(2)10 (1)14	54	54	54
HY07MP241	(2) 10 (1) 16	70	70	70



COPELAND CR WITH PIN TERMINALS

PLUG PART NUMBER	WIRE GAUGE AWG	WIRE LENGTH		
		BLK	YEL	BLU
324091-412	(2)10(1)14	54	54	54